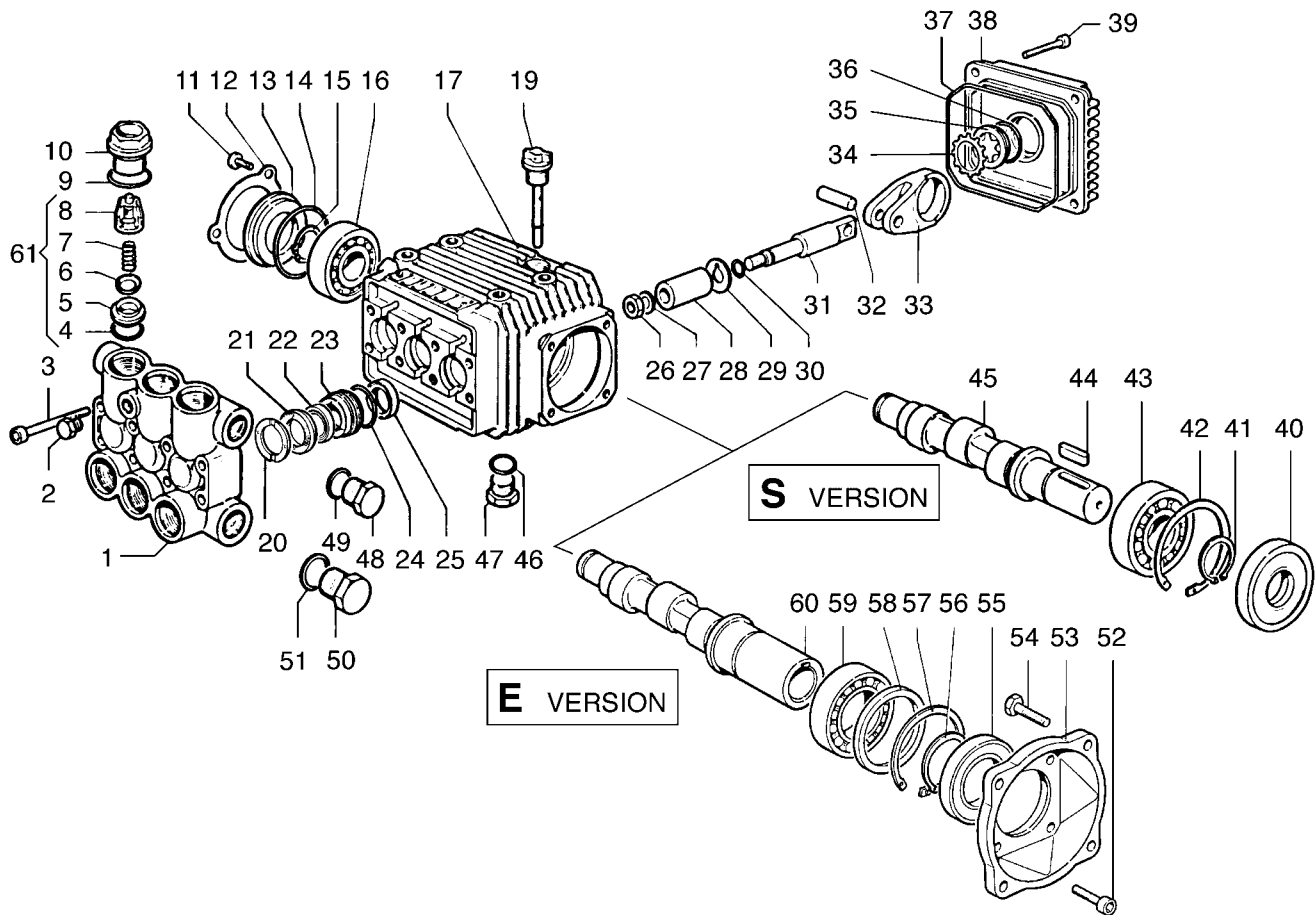


Indice / Index

LW	VERSION		1450 RPM	PAGE	2
LWS	VERSION		1750 RPM	PAGE	4
LWR	VERSION		2800 RPM	PAGE	6
LWD	VERSION		3400 RPM	PAGE	8
LW-K	VERSION		1450 RPM	PAGE	10
LWS-K	VERSION		1750 RPM	PAGE	12
LWR-K	VERSION		2800 RPM	PAGE	14
LWD-K	VERSION		3400 RPM	PAGE	16
FW	VERSION	CUSCINETTI A SFERE / <i>BALL BEARINGS</i>	1450 RPM	PAGE	18
FW	VERSION	CUSCINETTI A RULLI / <i>ROLLER BEARINGS</i>	1450 RPM	PAGE	20
FWS	VERSION	CUSCINETTI A SFERE / <i>BALL BEARINGS</i>	1750 RPM	PAGE	22
FWS	VERSION	CUSCINETTI A RULLI / <i>ROLLER BEARINGS</i>	1750 RPM	PAGE	24
FWD	VERSION		3400 RPM	PAGE	26
FWD	VERSION	ALBERO FEMMINA / <i>HOLLOW SHAFT 3/4"</i>	3400 RPM	PAGE	28
ZWD	VERSION		3400 RPM	PAGE	30
ZWD-K	VERSION		3400 RPM	PAGE	32
HW	VERSION		1450 RPM	PAGE	34
HWS	VERSION		1750 RPM	PAGE	36
HWD	VERSION		3400 RPM	PAGE	38
AXD	VERSION		3400 RPM	PAGE	40
VRT 2/15	VERSION		3400 RPM	PAGE	42
RIDUTTORI / REDUCTION GEAR BOXES			FW - HW	PAGE	44
MOLTIPLICATORE / GEAR BOX			FW - HW	PAGE	45
VALVOLA / UNLOADER	RS 150			PAGE	46
VALVOLA / UNLOADER	RF 150			PAGE	47
VALVOLA / UNLOADER	RF 151			PAGE	48
VALVOLA / UNLOADER	RF 200			PAGE	49
VALVOLA / UNLOADER	RF 201			PAGE	50
VALVOLA / UNLOADER	RF 251			PAGE	51
VALVOLA / UNLOADER	PLS 3			PAGE	52
KIT VALVOLA REGOLAZIONE / REG. VALVE KITS			LW - K	PAGE	53
KIT OPZIONALI / OPTIONAL KITS				PAGE	54
KIT GUARNIZIONI CON ANELLI PORTAGUARNIZIONE / PACKING RETAINER KITS				PAGE	55
DATI TECNICI / TECHNICAL DATA				PAGE	56
COPPIE DI SERRAGGIO / TORQUE SETTING				PAGE	58
KIT ATTREZZATURA RIPARAZIONI / TOOL KIT			LW - FW - ZW - HW	PAGE	60
INCONVENIENTI E RIMEDI / TROUBLE SHOOTING				PAGE	62

LW VERSION - 1450 RPM



POS. ITEM	CODICE PART No.	KIT KIT	DESCRIZIONE DESCRIPTION	Q.tà Qty.	MODELLI MODELS
1	3218.0105.00		MANIFOLD Ø 18 mm ALUM.	1	3016 S - 3016 E 3513 S - 3513 E
	3218.0106.00		MANIFOLD Ø 15 mm ALUM.	1	2015 S - 2015 E
	3218.0107.00		MANIFOLD Ø 18 mm BRASS	1	3016 S - 3016 E 3020 S - 3025 S 3513 S - 3513 E 3517 S - 3525 S 2520 S
	3218.0108.00		MANIFOLD Ø 15 mm BRASS	1	2015 S - 2015 E 2020 S - 2020 E
2	3202.0018.00		CAP G1/8	1	
3	3609.0108.00		SCREW M6X55	8	2015 S - 2015 E 2020 S - 2020 E 3016 S - 3016 E 3020 S - 3517 S 3513 S - 3513 E 2520 S
	3609.0152.00		SCREW M6X55	8	3025 S - 3525 S
4	1210.0046.00	A-D	O-RING 2,62X17,13 mm	6	
5	3009.0087.00	A	VALVE SEAT	6	
6	3604.0017.00	A	VALVE PLATE	6	
7	1802.0177.00	A	SPRING	6	
8	1205.0025.00	A	VALVE GUIDE	6	
9	1210.0048.00	A-D	O-RING 2,62X20,24 mm	6	
10	3202.0155.00		CAP	6	
11	3609.0088.00		SCREW M5X10	3	
12	1004.0012.00		CRANKCASE COVER	1	
13	0402.0172.00		SPACER	1	
14	1210.0386.00	D	O-RING 3,53X44,04 mm	1	
15	3019.0011.00		SNAP RING	1	
16	0438.0066.00		BALL BEARING 20X52X15 mm	1	2015 S - 2015 E 2020 S - 2020 E 3016 S - 3016 E 3020 S - 3517 S 3513 S - 3513 E 2520 S
	0438.0069.00		BALL BEARING 20X52X15 mm	1	3025 S - 3525 S

POS. ITEM	CODICE PART No.	KIT KIT	DESCRIZIONE DESCRIPTION	Q.tà Qty.	MODELLI MODELS
17	0403.0128.00		CRANKCASE	1	
19	3200.0051.00		OIL DIPSTICK	1	
20	0009.0196.00	B	HEAD RING Ø 15 mm	3	2015 S - 2015 E 2020 S - 2020 E
	0009.0193.00	B	HEAD RING Ø 18 mm	3	3016 S - 3016 E 3020 S - 3025 S 3513 S - 3513 E 3517 S - 3525 S 2520 S
21	1241.0034.00	B	PACKING Ø 15 mm	3	2015 S - 2015 E 2020 S - 2020 E
	1241.0035.00	B	PACKING Ø 18 mm	3	3016 S - 3016 E 3020 S - 3025 S 3513 S - 3513 E 3517 S - 3525 S 2520 S
22	1241.0030.00	B	PACKING 15X22X5,5 mm	3	2015 S - 2015 E 2020 S - 2020 E
	1241.0028.00	B	PACKING 18X25X5,5 mm	3	3016 S - 3016 E 3020 S - 3517 S 3513 S - 3513 E 2520 S - 3025 S 3525 S
23	0009.0198.00		PACKING RETAINER Ø15 mm	3	2015 S - 2015 E 2020 S - 2020 E
	0009.0197.00		PACKING RETAINER Ø 18 mm	3	3016 S - 3016 E 3020 S - 3517 S 3513 S - 3513 E 2520 S - 3025 S 3525 S
24	1210.0223.00	B-D	O-RING 1,78X26,7 mm	3	
25	0019.0095.00	D	OIL SEAL 15X24X5 mm	3	
26	0600.0048.00	C	NUT	3	
27	2811.0080.00	C	WASHER 8,2X14X1,5 mm	3	

LW VERSION - 1450 RPM

POS. ITEM	CODICE PART No.	KIT KIT	DESCRIZIONE DESCRIPTION	Q.tà Qty.	MODELLI MODELS
28	0202.0018.00	C	PISTON Ø18 mm	3	3016 S - 3016 E 3020 S - 3025 S 3513 S - 3513 E 3517 S - 3525 S 2520 S
	0202.0020.00	C	PISTON Ø 15 mm	3	2015 S - 2015 E 2020 S - 2020 E
29	2812.0038.00	C	WASHER	3	
30	1210.0055.00	C-D	O-RING 1,78X 6,07 mm	3	
31	2409.0044.00		PISTON GUIDES	3	
32	3011.0014.00		WRIST. PIN	3	
33	0205.0048.00		CON. ROD	3	2020 S - 2020 E 2015 S - 2015 E 3513 S - 3513 E
	0205.0050.00		CON. ROD	3	3016 S - 3016 E 3020 S - 3025 S 3517 S - 3525 S 2520 S
34	3019.0033.00		SNAP RING Ø 18 mm	1	
35	3201.0010.00		OIL INDICATOR	1	
36	1210.0333.00	D	O-RING 1,78X23,52 mm	1	
37	1210.0206.00	D	O-RING 2,62X101,27 mm	1	
38	0402.0142.00		CRANKCASE COVER	1	
39	3609.0041.00		SCREW M6X25	4	
46	1210.0441.00	D	O-RING 2X14 mm	1	
47	3200.0007.00		CAP 3/8 GAS OT58	1	
48	3200.0007.00		CAP 3/8 GAS OT58	1	
49	2811.0084.00		WASHER 16,7X22X1,5 mm	1	
50	3202.0015.00		CAP G1/2	1	
51	2811.0086.00		WASHER 21,2X27X1,5 mm	1	
61	1220.0030.00		VALVE ASS.BLY.	6	

S version

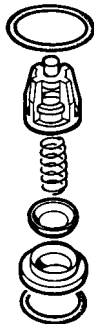
POS. ITEM	CODICE PART No.	KIT KIT	DESCRIZIONE DESCRIPTION	Q.tà Qty.	MODELLI MODELS
40	0019.0094.00	D	OIL SEAL 25X62X10/7 mm	1	
41	3019.0006.00		SNAP RING C72	1	
42	3020.0012.00		SNAP RING C72	1	
43	0438.0071.00		BALL BEARING 25X62X17 mm	1	3025 S - 3525 S
	0438.0075.00		BALL BEARING 25X62X17 mm	1	2015 S - 2020 S 3016 S - 3020 S 3513 S - 3517 S 2520 S
44	1602.0045.00		KEY 8X7X25 mm	1	
45	0001.0290.00		CRANKSHAFT Ø24 mm	1	2015 S - 2020 S 3016 S - 3020 S 3025 S
	0001.0294.00		CRANKSHAFT Ø24 mm	1	3513 S - 3517 S 3525 S
	0001.0333.00		CRANKSHAFT Ø24 mm	1	2520 S

E version

POS. ITEM	CODICE PART No.	KIT KIT	DESCRIZIONE DESCRIPTION	Q.tà Qty.	MODELLI MODELS
52	3609.0032.00		SCREW M6 X 20	4	
53	3016.0014.00		FLANGE	1	
54	3607.0015.00		SCREW M8 X 20	4	
55	0019.0075.00	D	OIL SEAL 35X62X7 mm	1	
56	3019.0004.00		SNAP RING Ø 35 mm	1	
57	3020.0012.00		SNAP RING Ø 62 mm	1	
58	2812.0064.00		WASHER	1	
59	0438.0015.00		BALL BEARING 35X62X14 mm	1	
60	0001.0342.00		CRANKSHAFT Ø24 mm	1	2015 E - 2020 E
	0001.0343.00		CRANKSHAFT Ø24 mm	1	3513 E

KIT VALVOLA ASP.-MAND. COMPLETE VALVE KIT 5025.0011.00

KIT A

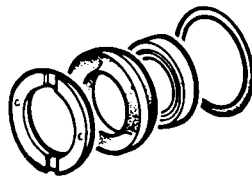


5025.0011.00

POS. ITEM	CODICE PART No.	Q.tà Qty.
4	1210.0046.00	6
5	3009.0087.00	6
6	3604.0017.00	6
7	1802.0177.00	6
8	1205.0025.00	6
9	1210.0048.00	6

KIT GUARNIZIONI PISTONE / PISTON SEAL KIT Ø 15 mm 5019.0035.00 - Ø 18 mm 5019.0037.00

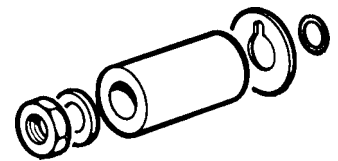
KIT B



5019.0035.00			5019.0037.00		
POS. ITEM	CODICE PART No.	Q.tà Qty.	POS. ITEM	CODICE PART No.	Q.tà Qty.
20	0009.0196.00	3	20	0009.0193.00	3
21	1241.0034.00	3	21	1241.0035.00	3
22	1241.0030.00	3	22	1241.0028.00	3
24	1210.0223.00	3	24	1210.0223.00	3

KIT PISTONE / PISTON KIT Ø 15 mm 2409.0071.00 - Ø 18 mm 2409.0072.00

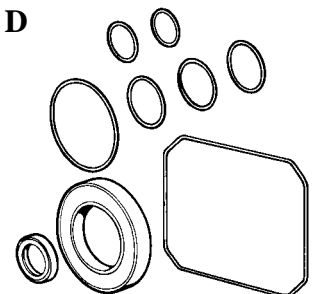
KIT C



2409.0071.00			2409.0072.00		
POS. ITEM	CODICE PART No.	Q.tà Qty.	POS. ITEM	CODICE PART No.	Q.tà Qty.
26	0600.0048.00	3	26	0600.0048.00	3
27	2811.0080.00	3	27	2811.0080.00	3
28	0202.0020.00	3	28	0202.0018.00	3
29	2812.0038.00	3	29	2812.0038.00	3
30	1210.0055.00	3	30	1210.0055.00	3

KIT GUARNIZIONI POMPA / SEAL KIT ALBERO MASCHIO / SOLID SHAFT 5019.0040.00 ALBERO FEMMINA / HOLLOW SHAFT 5019.0041.00

KIT D

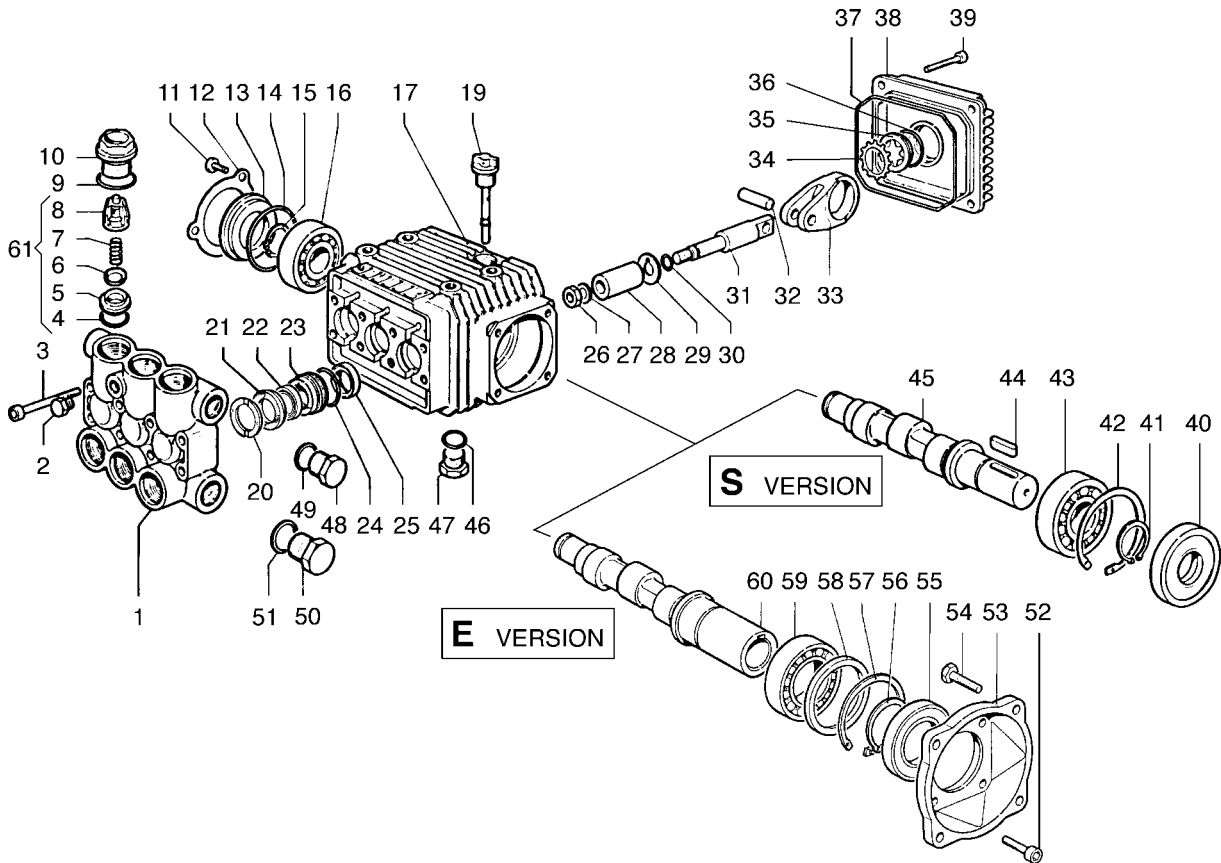


5019.0040.00			5019.0041.00		
POS. ITEM	CODICE PART No.	Q.tà Qty.	POS. ITEM	CODICE PART No.	Q.tà Qty.
4	1210.0046.00	6	4	1210.0046.00	6
9	1210.0048.00	6	9	1210.0048.00	6
14	1210.0386.00	1	14	1210.0386.00	1
24	1210.0223.00	3	24	1210.0223.00	3
25	0019.0095.00	3	25	0019.0095.00	3
30	1210.0055.00	3	30	1210.0055.00	3
36	1210.0333.00	1	36	1210.0333.00	1
37	1210.0206.00	1	37	1210.0206.00	1
40	0019.0094.00	1	46	1210.0441.00	1
46	1210.0441.00	1	55	0019.0075.00	1

Altri KIT
Other KITS

vedi pagine:
see pages:
54 - 55

LWS VERSION - 1750 RPM



POS. ITEM	CODICE PART No.	KIT KIT	DESCRIZIONE DESCRIPTION	Q.tà Qty.	MODELLI MODELS
1	3218.0105.00		MANIFOLD Ø 18 mm ALUM.	1	3010 S - 3010 E 3508 S - 4007 S
	3218.0106.00		MANIFOLD Ø 15 mm ALUM.	1	2010 S - 2010 E
	3218.0107.00		MANIFOLD Ø 18 mm BRASS	1	3010 S - 3010 E 3015 S - 3020 S 3020 E - 3025 S 3508 S - 3513 S 3517 S - 3525 S 4007 S - 4015 S 4020 S
	3218.0108.00		MANIFOLD Ø 15 mm BRASS	1	2010 S - 2010 E 2015 S - 2015 E 2020 S - 2020 E
2	3202.0018.00		CAP G1/8	1	
3	3609.0108.00		SCREW M6X55	8	2010 S - 2010 E 2015 S - 2015 E 2020 S - 2020 E 3010 S - 3010 E 3015 S - 3020 S 3020 E - 3508 S 3513 S - 3517 S 4007 S - 4015 S
	3609.0152.00		SCREW M6X55	8	3025 S - 3525 S 4020 S
4	1210.0046.00	A-D	O-RING 2,62X 17,13 mm	6	
5	3009.0087.00	A	VALVE SEAT	6	
6	3604.0017.00	A	VALVE PLATE	6	
7	1802.0177.00	A	SPRING	6	
8	1205.0025.00	A	VALVE GUIDE	6	
9	1210.0048.00	A-D	O-RING 2,62X 20,24 mm	6	
10	3202.0155.00		CAP	6	
11	3609.0088.00		SCREW M5X10	3	
12	1004.0012.00		CRANKCASE COVER	1	
13	0402.0172.00		SPACER	1	
14	1210.0386.00	D	O-RING 3,53X44,04 mm	1	
15	3019.0011.00		SNAP RING	1	
16	0438.0066.00		BALL BEARING 20X52X15 mm	1	2010 S - 2010 E 2015 S - 2015 E 2020 S - 2020 E 3010 S - 3010 E 3015 S - 3020 S 3020 E - 3508 S 3513 S - 3517 S 4007 S - 4015 S
	0438.0069.00		BALL BEARING 20X52X15 mm	1	3025 S - 3525 S 4020 S

POS. ITEM	CODICE PART No.	KIT KIT	DESCRIZIONE DESCRIPTION	Q.tà Qty.	MODELLI MODELS
17	0403.0128.00		CRANKCASE	1	
19	3200.0051.00		OIL DIPSTICK	1	
20	0009.0193.00	B	HEAD RING Ø18 mm	3	3010 S - 3010 E 3015 S - 3020 S 3020 E - 3025 S 3508 S - 3513 S 3517 S - 3525 S 4007 S - 4015 S 4020 S
	0009.0196.00	B	HEAD RING Ø15 mm	3	2010 S - 2010 E 2015 S - 2015 E 2020 S - 2020 E
21	1241.0034.00	B	PACKING Ø15 mm	3	2010 S - 2010 E 2015 S - 2015 E 2020 S - 2020 E
	1241.0035.00	B	PACKING Ø18 mm	3	3010 S - 3010 E 3015 S - 3020 S 3020 E - 3025 S 3508 S - 3513 S 3517 S - 3525 S 4007 S - 4015 S 4020 S
22	1241.0030.00	B	PACKING 15X22X5,5 mm	3	2010 S - 2010 E 2015 S - 2015 E 2020 S - 2020 E
	1241.0028.00	B	PACKING 18X25X5,5 mm	3	3010 S - 3010 E 3015 S - 3020 S 3020 E - 3025 S 3525 S - 3508 S 3513 S - 3517 S 4007 S - 4015 S 4020 S
23	0009.0198.00		PACKING RETAINER Ø15 mm	3	2010 S - 2010 E 2015 S - 2015 E 2020 S - 2020 E
	0009.0197.00		PACKING RETAINER Ø18 mm	3	3010 S - 3010 E 3015 S - 3020 S 3020 E - 3025 S 3525 S - 3508 S 3513 S - 3517 S 4007 S - 4015 S 4020 S
24	1210.0223.00	B-D	O-RING 1,78X26,7 mm	3	
25	0019.0095.00	D	OIL SEAL 15X24X5 mm	3	
26	0600.0048.00	C	NUT	3	
27	2811.0080.00	C	WASHER 8,2X14X1,5 mm	3	

LWS VERSION - 1750 RPM

POS. ITEM	CODICE PART No.	KIT KIT	DESCRIZIONE DESCRIPTION	Q.tà Qty.	MODELLI MODELS
28	0202.0018.00	C	PISTON Ø18 mm	3	3010 S - 3010 E 3015 S - 3020 S 3020 E - 3025 S 3508 S - 3513 S 3517 S - 3525 S 4007 S - 4015 S 4020 S
	0202.0020.00	C	PISTON Ø15 mm	3	2010 S - 2010 E 2015 S - 2015 E 2020 S - 2020 E
29	2812.0038.00	C	WASHER	3	
30	1210.0055.00	C-D	O-RING 1,78X6,07 mm	3	
31	2409.0044.00		PISTON GUIDES	3	
32	3011.0014.00		WRIST. PIN	3	
33	0205.0048.00		CON. ROD	3	2010 S - 2010 E 2015 S - 2015 E 2020 S - 2020 E 3010 S - 3010 E 3508 S - 3513 S 4007 S
	0205.0050.00		CON. ROD	3	3015 S - 3020 S 3020 E - 3025 S 3517 S - 3525 S 4015 S - 4020 S
34	3019.0033.00		SNAP RING	1	
35	3201.0010.00		OIL INDICATOR	1	
36	1210.0333.00	D	O-RING 1,78X23,52 mm	1	
37	1210.0206.00	D	O-RING 2,62X101,27 mm	1	
38	0402.0142.00		CRANKCASE COVER	1	
39	3609.0041.00		SCREW M6X25	4	
46	1210.0441.00	D	O-RING 2X14 mm	1	
47	3200.0007.00		CAP 3/8GAS OT58	1	
48	3200.0007.00		CAP 3/8GAS OT58	1	
49	2811.0084.00		WASHER 16,7X22X1,5 mm	1	
50	3202.0015.00		CAP G1/2	1	
51	2811.0086.00		WASHER 21,2X27X1,5 mm	1	
61	1220.0030.00		VALVE ASS. BLY.	6	

S version

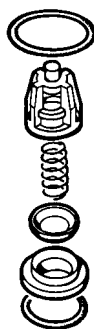
POS. ITEM	CODICE PART No.	KIT KIT	DESCRIZIONE DESCRIPTION	Q.tà Qty.	MODELLI MODELS
40	0019.0094.00	D	OIL SEAL 25X62X70/7 mm	1	
41	3019.0006.00		SNAP RING C72	1	
42	3020.0012.00		SNAP RING C72	1	
43	0438.0071.00		BALL BEARING 25X62X17 mm	1	3025 S - 3525 S 4020 S
	0438.0075.00		BALL BEARING 25X62X17 mm	1	2010 S - 2015 S 2020 S - 3010 S 3015 S - 3020 S 3508 S - 3513 S 3517 S - 4007 S 4015 S
44	1602.0045.00		KEY 8X7X25 mm	1	
45	0001.0290.00		CRANKSHAFT Ø24 mm	1	3508 S - 3513 S 3517 S - 3525 S
	0001.0294.00		CRANKSHAFT Ø24 mm	1	4007 S - 4015 S 4020 S
	0001.0333.00		CRANKSHAFT Ø24 mm	1	2010 S - 2015 S 2020 S - 3010 S 3020 S - 3025 S 3513 S

E version

POS. ITEM	CODICE PART No.	KIT KIT	DESCRIZIONE DESCRIPTION	Q.tà Qty.	MODELLI MODELS
52	3609.0032.00		SCREW M6X20	4	
53	3016.0016.00		FLANGE	1	
54	3607.0200.00		SCREW 3/8"16X3/4"	4	
55	0019.0075.00	D	OIL SEAL 35X62X 7 mm	1	
56	3019.0004.00		SNAP RING C72	1	
57	3020.0012.00		SNAP RING C72	1	
58	2812.0064.00		WASHER	1	
59	0438.0015.00		BALL BEARING 35X62X14 mm	1	
60	0001.0338.00		CRANKSHAFT 5/8"	1	

KIT VALVOLA ASP.-MAND. COMPLETE VALVE KIT 5025.0011.00

KIT A

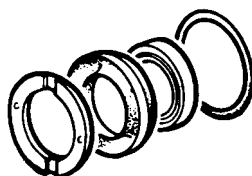


5025.0011.00

POS. ITEM	CODICE PART No.	Q.tà Qty.
4	1210.0046.00	6
5	3009.0087.00	6
6	3604.0017.00	6
7	1802.0177.00	6
8	1205.0025.00	6
9	1210.0048.00	6

KIT GUARNIZIONI PISTONE / PISTON SEAL KIT Ø 15 mm 5019.0035.00 - Ø 18 mm 5019.0037.00

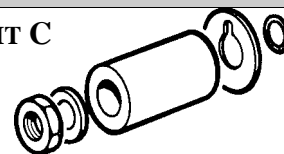
KIT B



5019.0035.00			5019.0037.00		
POS. ITEM	CODICE PART No.	Q.tà Qty.	POS. ITEM	CODICE PART No.	Q.tà Qty.
20	0009.0196.00	3	20	0009.0193.00	3
21	1241.0034.00	3	21	1241.0035.00	3
22	1241.0030.00	3	22	1241.0028.00	3
24	1210.0223.00	3	24	1210.0223.00	3

KIT PISTONE / PISTON KIT Ø 15 mm 2409.0071.00 - Ø 18 mm 2409.0072.00

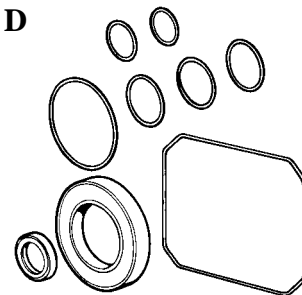
KIT C



2409.0071.00			2409.0072.00		
POS. ITEM	CODICE PART No.	Q.tà Qty.	POS. ITEM	CODICE PART No.	Q.tà Qty.
26	0600.0048.00	3	26	0600.0048.00	3
27	2811.0080.00	3	27	2811.0080.00	3
28	0202.0020.00	3	28	0202.0018.00	3
29	2812.0038.00	3	29	2812.0038.00	3
30	1210.0055.00	3	30	1210.0055.00	3

KIT GUARNIZIONI POMPA / SEAL KIT ALBERO MASCHIO / SOLID SHAFT 5019.0040.00 ALBERO FEMMINA / HOLLOW SHAFT 5019.0041.00

KIT D

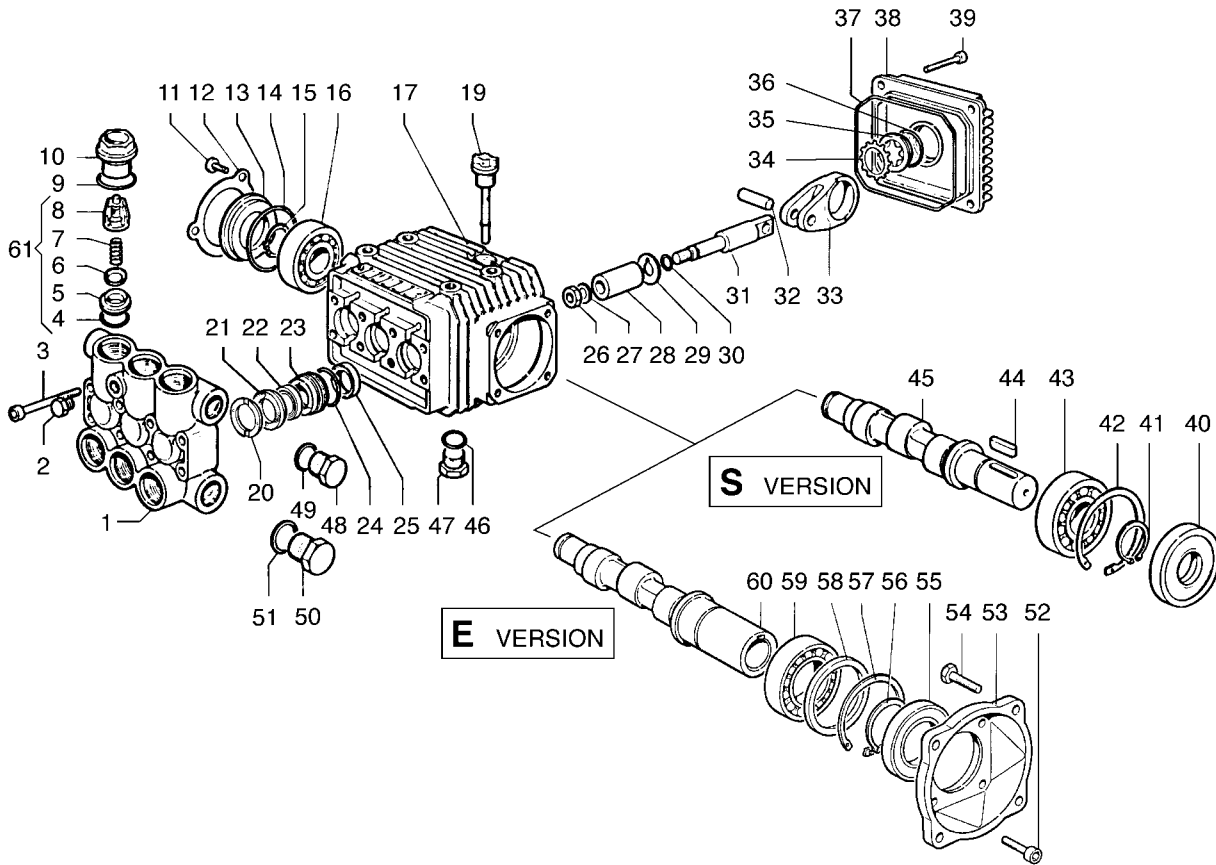


5019.0040.00			5019.0041.00		
POS. ITEM	CODICE PART No.	Q.tà Qty.	POS. ITEM	CODICE PART No.	Q.tà Qty.
4	1210.0046.00	6	4	1210.0046.00	6
9	1210.0048.00	6	9	1210.0048.00	6
14	1210.0386.00	1	14	1210.0386.00	1
24	1210.0223.00	3	24	1210.0223.00	3
25	0019.0095.00	3	25	0019.0095.00	3
30	1210.0055.00	3	30	1210.0055.00	3
36	1210.0333.00	1	36	1210.0333.00	1
37	1210.0206.00	1	37	1210.0206.00	1
40	0019.0094.00	1	46	1210.0441.00	1
46	1210.0441.00	1	55	0019.0075.00	1

Altri KIT
Other KITS

vedi pagine:
see pages:
54 - 55

LWR VERSION - 2800 RPM



POS. ITEM	CODICE PART No.	KIT KIT	DESCRIZIONE DESCRIPTION	Q.tà Qty.	MODELLI MODELS
1	3218.0106.00		MANIFOLD Ø 15 mm ALUM.	1	2015 S - 2015 E 3016 S - 3016 E 3513 S - 3513 E
	3218.0108.00		MANIFOLD Ø 15 mm BRASS	1	2015 S - 2015 E 2020 S - 2020 E 3016 S - 3016 E 3020 S - 3020 E 3025 S - 3513 S 3513 E - 3517 S 3517 E - 3525 S
2	3202.0018.00		CAP G1/8	1	
3	3609.0108.00		SCREW M6X55	8	2015 S - 2015 E 2020 S - 2020 E 3016 S - 3016 E 3513 S - 3513 E 3020 S - 3020 E 3517 S - 3517 E
	3609.0152.00		SCREW M6X55	8	3025 S - 3525 S 4022 S
4	1210.0046.00	A-D	O-RING 2,62X 17,13 mm	6	
5	3009.0087.00	A	VALVE SEAT	6	
6	3604.0017.00	A	VALVE PLATE	6	
7	1802.0177.00	A	SPRING	6	
8	1205.0025.00	A	VALVE GUIDE	6	
9	1210.0048.00	A-D	O-RING 2,62X 20,24 mm	6	
10	3202.0155.00		CAP	6	
11	3609.0088.00		SCREW M5X10	3	
12	1004.0012.00		CRANKCASE COVER	1	
13	0402.0172.00		SPACER	1	
14	1210.0386.00	D	O-RING 3,53X44,04 mm	1	
15	3019.0011.00		SNAP RING	1	
16	0438.0066.00		BALL BEARING 20X52X15 mm	1	2015 S - 2015 E 2020 S - 2020 E 3016 S - 3016 E 3020 S - 3020 E 3513 S - 3513 E 3517 S - 3517 E
	0438.0069.00		BALL BEARING 20X52X15 mm	1	3025 S - 3525 S 4022 S

POS. ITEM	CODICE PART No.	KIT KIT	DESCRIZIONE DESCRIPTION	Q.tà Qty.	MODELLI MODELS
17	0403.0128.00		CRANKCASE	1	
19	3200.0051.00		OIL DIPSTICK	1	
20	0009.0196.00	B	HEAD RING Ø15 mm	3	
21	1241.0034.00	B	PACKING Ø15 mm	3	
22	1241.0030.00	B	PACKING 15X22X5,5 mm	3	
23	0009.0198.00		PACKING RETAINER Ø15 mm	3	
24	1210.0223.00	B-D	O-RING 1,78X26,7 mm	3	
25	0019.0095.00	D	OIL SEAL 15X24X5 mm	3	
26	0600.0048.00	C	NUT	3	
27	2811.0080.00	C	WASHER 8,2X14X1,5 mm	3	
28	0202.0020.00	C	PISTON Ø15 mm	3	
29	2812.0038.00	C	WASHER	3	
30	1210.0055.00	C-D	O-RING 1,78X 6,07 mm	3	
31	2409.0044.00		PISTON GUIDES	3	
32	3011.0014.00		WRIST. PIN	3	
33	0205.0048.00		CON. ROD	3	2015 S - 2015 E 3016 S - 3016 E 3513 S - 3513 E 3517 S - 3517 E
	0205.0050.00		CON. ROD	3	2020 S - 2020 E 3020 S - 3020 E 3025 S - 3525 S 4022 S
34	3019.0033.00		SNAP RING Ø18 mm	1	
35	3201.0010.00		OIL INDICATOR	1	
36	1210.0333.00	D	O-RING 1,78X23,52 mm	1	
37	1210.0206.00	D	O-RING 2,62X101,27 mm	1	
38	0402.0142.00		CRANKCASE COVER	1	
39	3609.0041.00		SCREW M6X25	4	
46	1210.0441.00	D	O-RING 2X14 mm	1	
47	3200.0007.00		CAP 3/8GAS OT58	1	
48	3200.0007.00		CAP 3/8GAS OT58	1	
49	2811.0084.00		WASHER 16,7X22X1,5 mm	1	
50	3202.0015.00		CAP G1/2	1	
51	2811.0086.00		WASHER 21,2X27X1,5 mm	1	
61	1220.0030.00		VALVE ASS. BLY.	6	

LWR VERSION - 2800 RPM

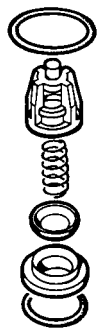
S version

POS. ITEM	CODICE PART No.	KIT KIT	DESCRIZIONE DESCRIPTION	Q.tà Qty.	MODELLI MODELS
40	0019.0094.00	D	OIL SEAL 25X62X10/7 mm	1	
41	3019.0006.00		SNAP RING C72	1	
42	3020.0012.00		SNAP RING C72	1	
43	0438.0075.00		BALL BEARING 25X62X17 mm	1	2015 S - 2020 S 3016 S - 3020 S 3513 S - 3517 S
	0438.0071.00		BALL BEARING 25X62X17 mm	1	3025 S - 3525 S 4022 S
44	1602.0045.00		KEY 8X7X25 mm	1	
45	0001.0288.00		CRANKSHAFT Ø24 mm	1	3016 S - 3020 S 3025 S
	0001.0290.00		CRANKSHAFT Ø24 mm	1	4022 S
	0001.0331.00		CRANKSHAFT Ø24 mm	1	2015 S - 2020 S
	0001.0333.00		CRANKSHAFT Ø24 mm	1	3513 S - 3517 S 3525 S

E version

POS. ITEM	CODICE PART No.	KIT KIT	DESCRIZIONE DESCRIPTION	Q.tà Qty.	MODELLI MODELS
52	3609.0032.00		SCREW M6X20	4	
53	3016.0014.00		FLANGE	1	
54	3607.0015.00		SCREW M8X20	4	
55	0019.0075.00	D	OIL SEAL 35X62X 7 mm	1	
56	3019.0004.00		SNAP RING C72	1	
57	3020.0012.00		SNAP RING C72	1	
58	2812.0064.00		WASHER	1	
59	0438.0015.00		BALL BEARING 35X62X14 mm	1	
60	0001.0339.00		CRANKSHAFT Ø24 mm	1	2015 E - 2020 E
	0001.0340.00		CRANKSHAFT Ø24 mm	1	3016 E - 3020 E
	0001.0341.00		CRANKSHAFT Ø24 mm	1	3513 E - 3517 E

KIT VALVOLA ASP-MAND. COMPLETE VALVE KIT 5025.0011.00

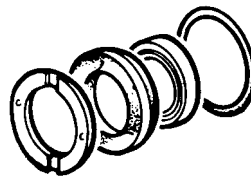


KIT A

5025.0011.00		
POS. ITEM	CODICE PART No.	Q.tà Qty.
4	1210.0046.00	6
5	3009.0087.00	6
6	3604.0017.00	6
7	1802.0177.00	6
8	1205.0025.00	6
9	1210.0048.00	6

KIT GUARNIZIONI PISTONE / PISTON SEAL KIT Ø 15 mm 5019.0035.00

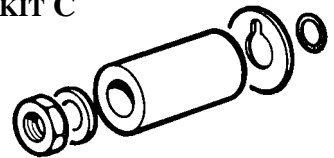
KIT B



5019.0035.00		
POS. ITEM	CODICE PART No.	Q.tà Qty.
20	0009.0196.00	3
21	1241.0034.00	3
22	1241.0030.00	3
24	1210.0223.00	3

KIT PISTONE / PISTON KIT Ø 15 mm 2409.0071.00

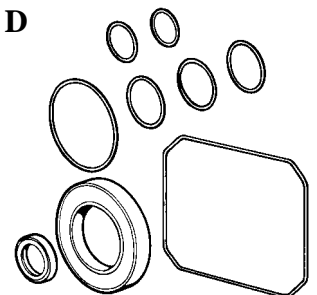
KIT C



2409.0071.00		
POS. ITEM	CODICE PART No.	Q.tà Qty.
26	0600.0048.00	3
27	2811.0080.00	3
28	0202.0020.00	3
29	2812.0038.00	3
30	1210.0055.00	3

KIT GUARNIZIONI POMPA / SEAL KIT ALBERO MASCHIO / SOLID SHAFT 5019.0040.00 ALBERO FEMMINA / HOLLOW SHAFT 5019.0041.00

KIT D

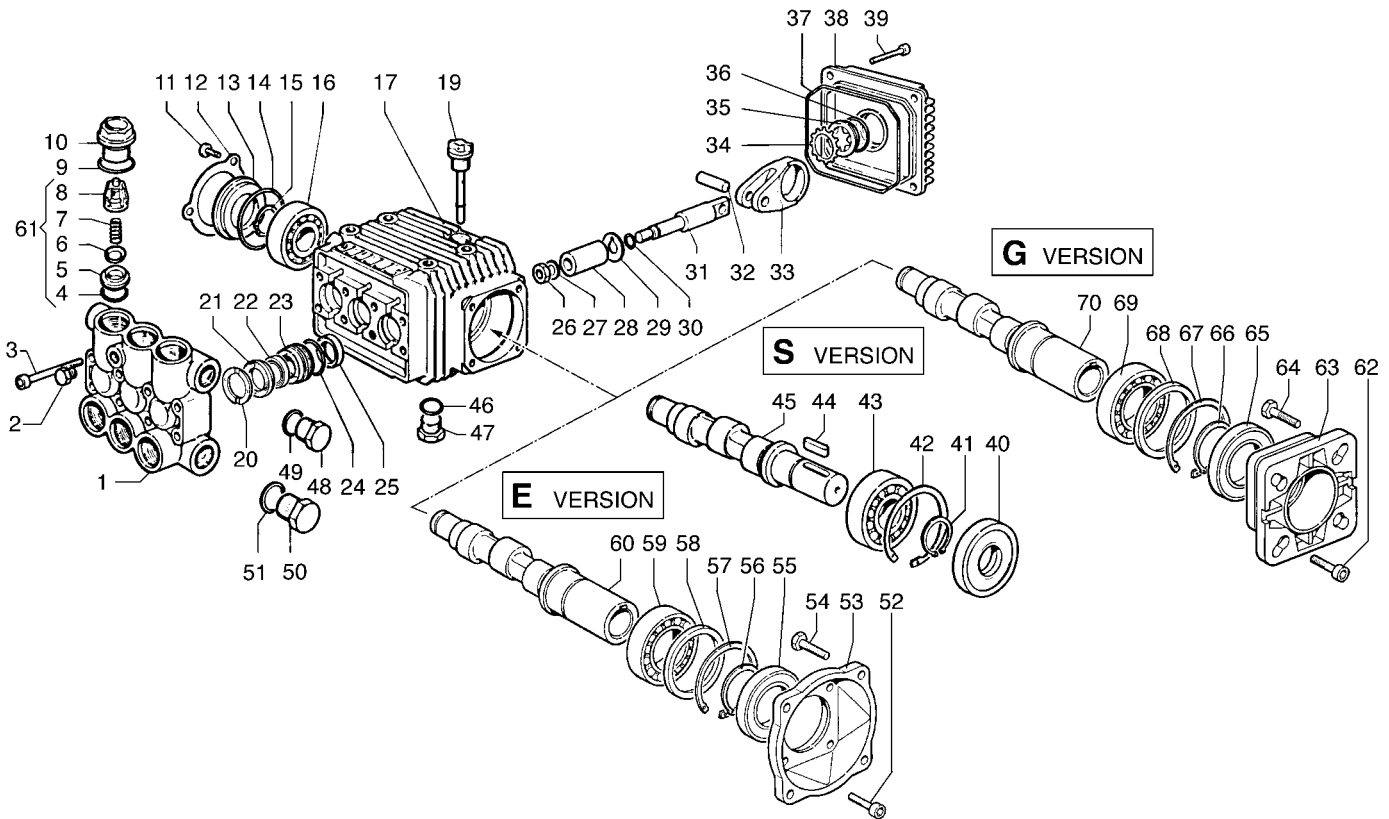


5019.0040.00			5019.0041.00		
POS. ITEM	CODICE PART No.	Q.tà Qty.	POS. ITEM	CODICE PART No.	Q.tà Qty.
4	1210.0046.00	6	4	1210.0046.00	6
9	1210.0048.00	6	9	1210.0048.00	6
14	1210.0386.00	1	14	1210.0386.00	1
24	1210.0223.00	3	24	1210.0223.00	3
25	0019.0095.00	3	25	0019.0095.00	3
30	1210.0055.00	3	30	1210.0055.00	3
36	1210.0333.00	1	36	1210.0333.00	1
37	1210.0206.00	1	37	1210.0206.00	1
40	0019.0094.00	1	46	1210.0441.00	1
46	1210.0441.00	1	55	0019.0075.00	1

**Altri KIT
Other KITS**

vedi pagine:
see pages:
54 - 55

LWD VERSION - 3400 RPM



POS. ITEM	CODICE PART No.	KIT KIT	DESCRIZIONE DESCRIPTION	Q.tà Qty.	MODELLI MODELS
1	3218.0106.00		MANIFOLD Ø 15 mm ALUM.	1	2010 S - 2010 E 2010 G - 2015 G 3010 S - 3010 E 3010 G - 3015 G
	3218.0108.00		MANIFOLD Ø 15 mm BRASS	1	2010 S - 2010 E 2010 G - 2015 S 2015 E - 2015 G 2020 S - 2020 E 2020 G - 2520 G 2525 G - 3010 S 3010 E - 3010 G 3015 S - 3015 E 3015 G - 3020 S 3020 E - 3020 G 3025 S - 3025 G 3515 G - 3522 S 3522 G - 4020 S 4020 G
2	3202.0018.00		CAP G1/8	1	
3	3609.0108.00		SCREW M6X55	8	2010 S - 2010 E 2010 G - 2015 S 2015 E - 2015 G 2020 S - 2020 E 2020 G - 2520 G 3010 S - 3010 E 3010 G - 3015 S 3015 E - 3015 G 3020 S - 3020 E 3020 G - 3515 G
	3609.0152.00		SCREW M6X55	8	2525 G - 3025 S 3025 G - 3522 S 3522 G - 4020 S 4020 G
4	1210.0046.00	A-D	O-RING 2,62X17,13 mm	6	
5	3009.0087.00	A	VALVE SEAT	6	
6	3604.0017.00	A	VALVE PLATE	6	
7	1802.0177.00	A	SPRING	6	
8	1205.0025.00	A	VALVE GUIDE	6	
9	1210.0048.00	A-D	O-RING 2,62X20,24 mm	6	
10	3202.0155.00		CAP	6	
11	3609.0088.00		SCREW M5X10	3	
12	1004.0012.00		CRANKCASE COVER	1	
13	0402.0172.00		SPACER	1	
14	1210.0386.00	D	O-RING 3,53X44,04 mm	1	
15	3019.0011.00		SNAP RING	1	

POS. ITEM	CODICE PART No.	KIT KIT	DESCRIZIONE DESCRIPTION	Q.tà Qty.	MODELLI MODELS
16	0438.0066.00		BALL BEARING 20X52X15 mm	1	2010 S - 2010 E 2010 G - 2015 S 2015 E - 2015 G 2020 S - 2020 E 2020 G - 2520 G 3010 S - 3010 E 3010 G - 3015 S 3015 E - 3015 G 3020 S - 3020 E 3020 G - 3515 G
	0438.0069.00		BALL BEARING 20X52X15 mm	1	2525 G - 3025 S 3025 G - 3522 S 3522 G - 4020 S 4020 G
17	0403.0128.00		CRANKCASE	1	
19	3200.0051.00		OIL DIPSTICK	1	
20	0009.0196.00	B	HEAD RING Ø15 mm	3	
21	1241.0034.00	B	PACKING Ø15 mm	3	
22	1241.0030.00	B	PACKING 15X22X5,5 mm	3	
23	0009.0198.00		PACKING RETAINER Ø15 mm	3	
24	1210.0223.00	B-D	O-RING 1,78X26,7 mm	3	
25	0019.0095.00	D	OIL SEAL 15X24X5 mm	3	
26	0600.0048.00	C	NUT	3	
27	2811.0080.00	C	WASHER 8,2X14X1,5 mm	3	
28	0202.0020.00	C	PISTON Ø15 mm	3	
29	2812.0038.00	C	WASHER	3	
30	1210.0055.00	C-D	O-RING 1,78X 6,07 mm	3	
31	2409.0044.00		PISTON GUIDES	3	
32	3011.0014.00		WRIST. PIN	3	
33	0205.0048.00		CON. ROD	3	2010 S - 2010 E 2010 G - 2015 S 2015 E - 2015 G 2020 S - 2020 E 2020 G - 2520 G 3010 S - 3010 E 3010 G - 3015 S 3015 E - 3015 G 3020 S - 3020 E 3020 G - 3515 G
	0205.0050.00		CON. ROD	3	2525 G - 3025 S 3025 G - 3522 S 3522 G - 4020 S 4020 G
34	3019.0033.00		SNAP RING Ø18 mm	1	

LWD VERSION - 3400 RPM

POS. ITEM	CODICE PART No.	KIT KIT	DESCRIZIONE DESCRIPTION	Q.tà Qty.	MODELLI MODELS
35	3201.0010.00		OIL INDICATOR	1	
36	1210.0333.00	D	O-RING 1,78X23,52 mm	1	
37	1210.0206.00	D	O-RING 2,62X101,27 mm	1	
38	0402.0142.00		CRANKCASE COVER	1	
39	3609.0041.00		SCREW M6X25	4	
46	1210.0441.00	D	O-RING 2X14 mm	1	
47	3200.0007.00		CAP 3/8GAS OT58	1	
48	3200.0007.00		CAP 3/8GAS OT58	1	
49	2811.0084.00		WASHER 16,7X22X1,5 mm	1	
50	3202.0015.00		CAP G1/2	1	
51	2811.0086.00		WASHER 21,2X27X1,5 mm	1	
61	1220.0030.00		VALVE ASS. BLY.	6	

E version

POS. ITEM	CODICE PART No.	KIT KIT	DESCRIZIONE DESCRIPTION	Q.tà Qty.	MODELLI MODELS
52	3609.0032.00		SCREW M6X20	4	
53	3016.0016.00		FLANGE	1	
54	3607.0200.00		SCREW 3/8"16X3/4"	4	
55	0019.0075.00	D	OIL SEAL 35X62X 7 mm	1	
56	3019.0004.00		SNAP RING C72	1	
57	3020.0012.00		SNAP RING C72	1	
58	2812.0064.00		WASHER	1	
59	0438.0015.00		BALL BEARING 35X62X14 mm	1	
60	0001.0336.00		CRANKSHAFT 5/8"	1	2010 E - 2015 E 2020 E
	0001.0337.00		CRANKSHAFT 5/8"	1	3010 E - 3015 E 3020 E

S version

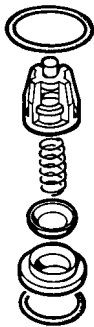
POS. ITEM	CODICE PART No.	KIT KIT	DESCRIZIONE DESCRIPTION	Q.tà Qty.	MODELLI MODELS
40	0019.0094.00	D	OIL SEAL 25X62X10/7 mm	1	
41	3019.0006.00		SNAP RING C72	1	
42	3020.0012.00		SNAP RING C72	1	
43	0438.0071.00		BALL BEARING 25X62X17 mm	1	3025 S - 3522 S 4020 S
	0438.0075.00		BALL BEARING 25X62X17 mm	1	2010 S - 2015 S 2020 S - 3010 S 3015 S - 3020 S
44	1602.0045.00		KEY 8X7X25 mm	1	
45	0001.0286.00		CRANKSHAFT Ø24 mm	1	2010 S - 2015 S 2020 S
	0001.0288.00		CRANKSHAFT Ø24 mm	1	3522 S
	0001.0332.00		CRANKSHAFT Ø24 mm	1	3010 S - 3015 S 3020 S - 3025 S
	0001.0333.00		CRANKSHAFT Ø24 mm	1	4020 S

G version

POS. ITEM	CODICE PART No.	KIT KIT	DESCRIZIONE DESCRIPTION	Q.tà Qty.	MODELLI MODELS
63	3016.0012.00		FLANGE	1	
64	3607.0199.00		SCREW 5/16"24X3/4"	4	
65	0019.0075.00	D	OIL SEAL 35X62X 7 mm	1	
66	3019.0004.00		SNAP RING C72	1	
67	3020.0012.00		SNAP RING C72	1	
68	2812.0064.00		WASHER	1	
69	0438.0015.00		BALL BEARING 35X62X14 mm	1	2010 G - 2015 G 2020 G - 2520 G 3010 G - 3015 G 3020 G - 3515 G
	0438.0070.00		BALL BEARING 35X62X14 mm	1	2525 G - 3025 G 3522 G - 4020 G
70	0001.0334.00		CRANKSHAFT 3/4"	1	2010 G - 2015 G 2020 G
	0001.0335.00		CRANKSHAFT 3/4"	1	3010 G - 3015 G 3020 G - 3025 G
	0001.0383.00		CRANKSHAFT 3/4"	1	3515 G - 3522 G
	0001.0384.00		CRANKSHAFT 3/4"	1	4020 G
	0001.0406.00		CRANKSHAFT 3/4"	1	2520 G - 2525 G

KIT VALVOLA ASP-MAND. COMPLETE VALVE KIT 5025.0011.00

KIT A

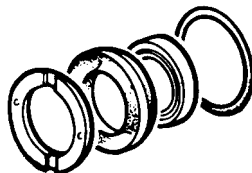


5025.0011.00

POS. ITEM	CODICE PART No.	Q.tà Qty.
4	1210.0046.00	6
5	3009.0087.00	6
6	3604.0017.00	6
7	1802.0177.00	6
8	1205.0025.00	6
9	1210.0048.00	6

KIT GUARNIZIONI PISTONE / PISTON SEAL KIT Ø 15 mm 5019.0035.00

KIT B

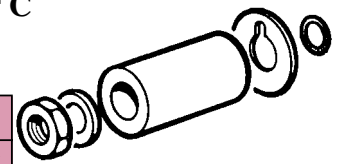


5019.0035.00

POS. ITEM	CODICE PART No.	Q.tà Qty.
20	0009.0196.00	3
21	1241.0034.00	3
22	1241.0030.00	3
24	1210.0223.00	3

KIT PISTONE / PISTON KIT Ø 15 mm 2409.0071.00

KIT C

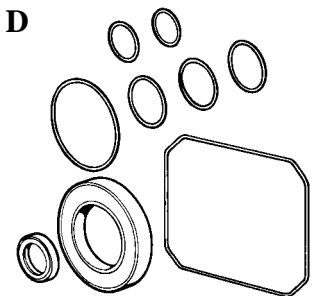


2409.0071.00

POS. ITEM	CODICE PART No.	Q.tà Qty.
26	0600.0048.00	3
27	2811.0080.00	3
28	0202.0020.00	3
29	2812.0038.00	3
30	1210.0055.00	3

KIT GUARNIZIONI POMPA / SEAL KIT ALBERO MASCHIO / SOLID SHAFT 5019.0040.00 ALBERO FEMMINA / HOLLOW SHAFT 5019.0041.00

KIT D



5019.0040.00

POS. ITEM	CODICE PART No.	Q.tà Qty.
4	1210.0046.00	6
9	1210.0048.00	6
14	1210.0386.00	1
24	1210.0223.00	3
25	0019.0095.00	3
30	1210.0055.00	3
36	1210.0333.00	1
37	1210.0206.00	1
40	0019.0094.00	1
46	1210.0441.00	1

5019.0041.00

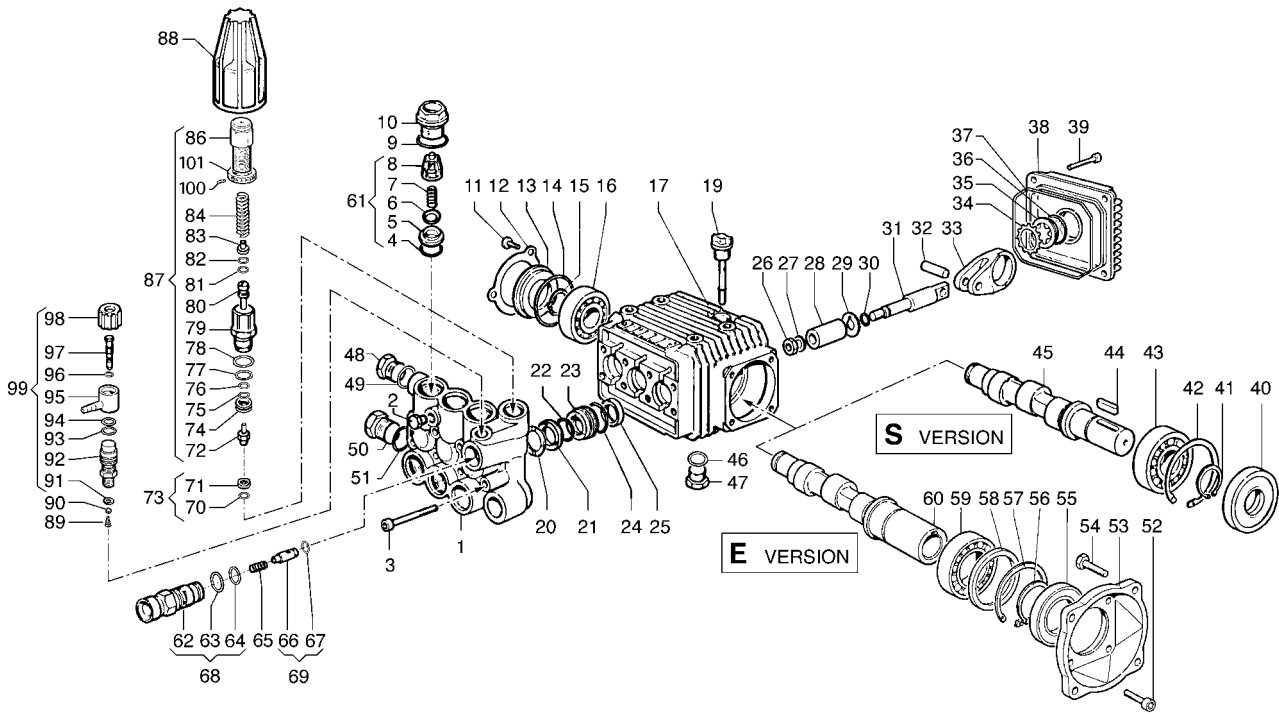
POS. ITEM	CODICE PART No.	Q.tà Qty.
4	1210.0046.00	6
9	1210.0048.00	6
14	1210.0386.00	1
24	1210.0223.00	3
25	0019.0095.00	3
30	1210.0055.00	3
36	1210.0333.00	1
37	1210.0206.00	1
46	1210.0441.00	1
55-65	0019.0075.00	1

Altri KIT
Other KITS

vedi pagine:
see pages:

54 - 55

LW-K VERSION - 1450 RPM



POS. ITEM	CODICE PART No.	KIT KIT	DESCRIZIONE DESCRIPTION	Q.tà Qty.	MODELLI MODELS
1	3218.0112.00		MANIFOLD Ø 15 mm	1	2020 E
	3218.0113.00		MANIFOLD Ø 18 mm	1	3016 S - 3016 E 3020 S - 3025 S 3517 S - 3525 S
2	3202.0018.00		CAP G1/8	1	
3	3609.0108.00		SCREW M6X55	8	2020 E - 3016 S 3016 E - 3020 S 3517 S
	3609.0152.00		SCREW M6X55	8	3025 S - 3525 S
4	1210.0046.00	A-D	O-RING 2,62X 17,13 mm	6	
5	3009.0087.00	A	VALVE SEAT	6	
6	3604.0017.00	A	VALVE PLATE	6	
7	1802.0177.00	A	SPRING	6	
8	1205.0025.00	A	VALVE GUIDE	6	
9	1210.0048.00	A-D	O-RING 2,62X 20,24 mm	6	
10	3202.0155.00		CAP	6	
11	3609.0088.00		SCREW M5X10	3	
12	1004.0012.00		CRANKCASE COVER	1	
13	0402.0172.00		SPACER	1	
14	1210.0386.00	D	O-RING 3,53X44,04 mm	1	
15	3019.0011.00		SNAP RING	1	
16	0438.0066.00		BALL BEARING 20X52X15 mm	1	2020 E - 3016 S 3016 E - 3020 S 3517 S
	0438.0069.00		BALL BEARING 20X52X15 mm	1	3025 S - 3525 S
17	0403.0128.00		CRANKCASE	1	
19	3200.0051.00		OIL DIPSTICK	1	
20	0009.0196.00	B	HEAD RING Ø15 mm	3	2020 E
	0009.0193.00	B	HEAD RING Ø18 mm	3	3016 S - 3016 E 3020 S - 3025 S 3517 S - 3525 S
21	1241.0034.00	B	PACKING Ø15 mm	3	2020 E
	1241.0035.00	B	PACKING Ø18 mm	3	3016 S - 3016 E 3020 S - 3025 S 3517 S - 3525 S
22	1241.0030.00	B	PACKING 15X22X5,5 mm	3	2020 E
	1241.0028.00	B	PACKING 18X25X5,5 mm	3	3016 S - 3016 E 3020 S - 3025 S 3517 S - 3525 S
23	0009.0198.00		PACKING RETAINER Ø15 mm	3	2020 E
	0009.0197.00		PACKING RETAINER Ø18 mm	3	3016 S - 3016 E 3020 S - 3025 S 3517 S - 3525 S
24	1210.0223.00	B-D	O-RING 1,78X26,7 mm	3	
25	0019.0095.00	D	OIL SEAL 15X24X5 mm	3	
26	0600.0048.00	C	NUT	3	
27	2811.0080.00	C	WASHER 8,2X14X1,5 mm	3	
28	0202.0018.00	C	PISTON Ø18 mm	3	3016 S - 3016 E 3020 S - 3025 S 3517 S - 3525 S
	0202.0020.00	C	PISTON Ø 15 mm	3	2020 E

POS. ITEM	CODICE PART No.	KIT KIT	DESCRIZIONE DESCRIPTION	Q.tà Qty.	MODELLI MODELS
29	2812.0038.00	C	WASHER	3	
30	1210.0055.00	C-D	O-RING 1,78X 6,07 mm	3	
31	2409.0044.00		PISTON GUIDES	3	
32	3011.0014.00		WRIST. PIN	3	
33	0205.0048.00		CON. ROD	3	2020 E
	0205.0050.00		CON. ROD	3	3016 S - 3016 E 3020 S - 3025 S 3517 S - 3525 S
34	3019.0033.00		SNAP RING Ø 18 mm	1	
35	3201.0010.00		OIL INDICATOR	1	
36	1210.0333.00	D	O-RING 1,78X23,52 mm	1	
37	1210.0206.00	D	O-RING 2,62X101,27 mm	1	
38	0402.0142.00		CRANKCASE COVER	1	
39	3609.0041.00		SCREW M6X25	4	
46	1210.0441.00	D	O-RING 2X14 mm	1	
47	3200.0007.00		CAP 3/8GAS OT58	1	
48	3200.0007.00		CAP 3/8GAS OT58	1	
49	2811.0084.00		WASHER 16,7X22X1,5 mm	1	
50	3202.0015.00		CAP G1/2	1	
51	2811.0086.00		WASHER 21,2X27X1,5 mm	1	
61	1220.0030.00		VALVE ASS. BLY.	6	
62	3410.0290.00	E	INJECTOR BODY M22x1,5	1	
	3410.0288.00	E	INJECTOR BODY 3/8 "NPT	1	
63	1210.0398.00	E-F	O-RING	1	
64	1210.0402.00	E-F	O-RING	1	
65	1802.0179.00	E	SPRING	1	
66	2409.0076.00	E	CHECK VALVE	1	
67	1210.0397.00	E-F	O-RING	1	
68	3410.0289.00		INJECTOR BODY KIT M22x1,5	1	
	3410.0287.00		INJECTOR BODY KIT 3/8 "NPT	1	
69	2409.0075.00		CHECK VALVE KIT	1	
70	1210.0403.00	E-F	O-RING 1,78X8,73 mm VT	1	
71	3009.0122.00	E-F	VALVE SEAT	1	
72	3002.0508.00	E-F	HOUSING WITH BALL	1	
73	3009.0013.00		SEAT KIT	1	
74	0009.0204.00	E-F	RING	1	
75	0009.0205.00	E-F	BACK RING	1	
76	1210.0405.00	E-F	O-RING	1	
77	1210.0404.00	E-F	O-RING	1	
78	1210.0407.00	E-F	O-RING	1	
79	0204.0045.00	E	HOUSING	1	
80	2409.0077.00	E-F	PISTON ROD	1	
81	1210.0406.00	E-F	O-RING	1	
82	0009.0206.00	E-F	BACK-UP RING	1	
83	0009.0207.00	E	SEAT	1	
	1802.0181.00	E	SPRING	1	3016 S - 3016 E 3517 S
	1802.0182.00	E	SPRING	1	2020 E - 3020 S 3025 S - 3525 S

LW-K VERSION - 1450 RPM

POS. ITEM	CODICE PART No.	KIT KIT	DESCRIZIONE DESCRIPTION	Q.tà Qty.	MODELLI MODELS
81	1210.0406.00	E-F	O-RING	1	
82	0009.0206.00	E-F	BACK-UP RING	1	
83	0009.0207.00	E	SEAT	1	
84	1802.0181.00	E	SPRING	1	3016 S - 3016 E 3517 S
	1802.0182.00	E	SPRING	1	2020 E - 3020 S 3025 S - 3525 S
86	0204.0043.00	E	ADJUSTABLE KNOB	1	3016 S - 3016 E 3517 S
	0204.0046.00	E	ADJUSTABLE KNOB	1	2020 E - 3020 S 3025 S - 3525 S
87	1215.0213.00		PRESS. VALVE KIT 1885 p.s.i.	1	3016 S - 3016 E 3517 S
	1215.0218.00		PRESS. VALVE KIT 2610 p.s.i.	1	2020 E - 3020 S 3025 S - 3525 S
88	1817.0045.00		HANDLE	1	
89	1802.0180.00		SPRING	1	
90	3003.0026.00		BALL	1	
91	2812.0067.00		WASHER	1	
92	2803.0373.00		NIPPLE	1	
93	1210.0401.00		O-RING	1	
94	1210.0399.00		O-RING	1	
95	2801.0060.00		HOSE BARB FITTING	1	
96	1210.0400.00		O-RING	1	
97	0015.0171.00		ROD	1	
98	1817.0046.00		CHEMICAL KNOB	1	
99	3301.0543.00		ADJUSTABLE INJECTOR KIT	1	
100	3622.0030.00	E	STOP ADJUSTABLE NUT M4X4	1	
101	1227.0022.00	E	NUT	1	

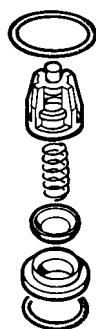
S version

POS. ITEM	CODICE PART No.	KIT KIT	DESCRIZIONE DESCRIPTION	Q.tà Qty.	MODELLI MODELS
40	0019.0094.00	D	OIL SEAL 25X62X10/7 mm	1	
41	3019.0006.00		SNAP RING C72	1	
42	3020.0012.00		SNAP RING C72	1	
43	0438.0071.00		BALL BEARING 25X62X17 mm	1	3025 S - 3525 S
	0438.0075.00		BALL BEARING 25X62X17 mm	1	3016 S - 3020 S 3517 S
44	1602.0045.00		KEY 8X7X25 mm	1	
45	0001.0290.00		CRANKSHAFT Ø24 mm	1	3016 S - 3020 S 3025 S
	0001.0294.00		CRANKSHAFT Ø24 mm	1	3517 S - 3525 S

E version

POS. ITEM	CODICE PART No.	KIT KIT	DESCRIZIONE DESCRIPTION	Q.tà Qty.	MODELLI MODELS
52	3609.0032.00		SCREW M6 X 20	4	
53	3016.0014.00		FLANGE	1	
54	3607.0015.00		SCREW M8 X 20	4	
55	0019.0075.00	D	OIL SEAL 35X62X7 mm	1	
56	3019.0004.00		SNAP RING Ø 35 mm	1	
57	3020.0012.00		SNAP RING Ø 62 mm	1	
58	2812.0064.00		WASHER	1	
59	0438.0015.00		BALL BEARING 35X62X14 mm	1	
60	0001.0342.00		CRANKSHAFT Ø24 mm	1	

KIT VALVOLA ASP.-MAND. COMPLETE VALVE KIT 5025.0011.00

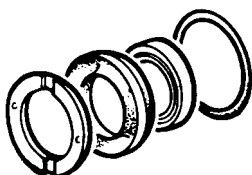


KIT A

5025.0011.00		
POS. ITEM	CODICE PART No.	Q.tà Qty.
4	1210.0046.00	6
5	3009.0087.00	6
6	3604.0017.00	6
7	1802.0177.00	6
8	1205.0025.00	6
9	1210.0048.00	6

KIT GUARNIZIONI PISTONE / PISTON SEAL KIT Ø 15 mm 5019.0035.00 - Ø 18 mm 5019.0037.00

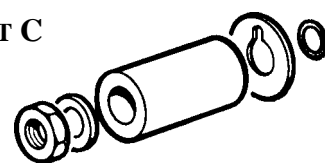
KIT B



5019.0035.00			5019.0037.00		
POS. ITEM	CODICE PART No.	Q.tà Qty.	POS. ITEM	CODICE PART No.	Q.tà Qty.
20	0009.0196.00	3	20	0009.0193.00	3
21	1241.0034.00	3	21	1241.0035.00	3
22	1241.0030.00	3	22	1241.0028.00	3
24	1210.0223.00	3	24	1210.0223.00	3

KIT PISTONE / PISTON KIT Ø 15 mm 2409.0071.00 - Ø 18 mm 2409.0072.00

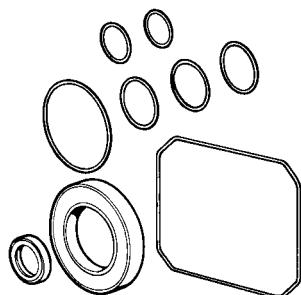
KIT C



2409.0071.00			2409.0072.00		
POS. ITEM	CODICE PART No.	Q.tà Qty.	POS. ITEM	CODICE PART No.	Q.tà Qty.
26	0600.0048.00	3	26	0600.0048.00	3
27	2811.0080.00	3	27	2811.0080.00	3
28	0202.0020.00	3	28	0202.0018.00	3
29	2812.0038.00	3	29	2812.0038.00	3
30	1210.0055.00	3	30	1210.0055.00	3

KIT GUARNIZIONI POMPA / SEAL KIT ALBERO MASCHIO / SOLID SHAFT 5019.0040.00 ALBERO FEMMINA / HOLLOW SHAFT 5019.0041.00

KIT D

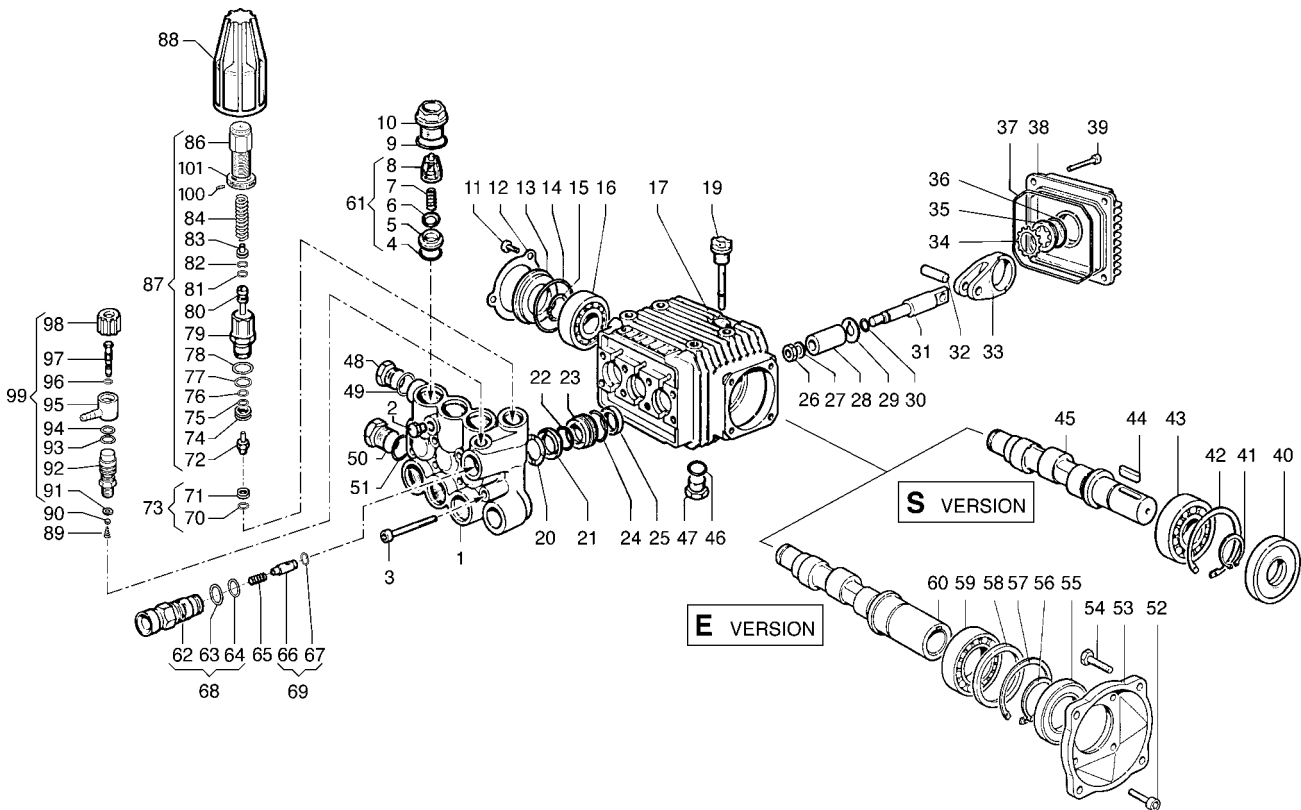


5019.0040.00			5019.0041.00		
POS. ITEM	CODICE PART No.	Q.tà Qty.	POS. ITEM	CODICE PART No.	Q.tà Qty.
4	1210.0046.00	6	4	1210.0046.00	6
9	1210.0048.00	6	9	1210.0048.00	6
14	1210.0386.00	1	14	1210.0386.00	1
24	1210.0223.00	3	24	1210.0223.00	3
25	0019.0095.00	3	25	0019.0095.00	3
30	1210.0055.00	3	30	1210.0055.00	3
36	1210.0333.00	1	36	1210.0333.00	1
37	1210.0206.00	1	37	1210.0206.00	1
40	0019.0094.00	1	46	1210.0441.00	1
46	1210.0441.00	1	55	0019.0075.00	1

**Altri KIT
Other KITS**

vedi pagine:
see pages:
53 - 54 - 55

LWS-K VERSION - 1750 RPM



POS. ITEM	CODICE PART No.	KIT KIT	DESCRIZIONE DESCRIPTION	Q.tà Qty.	MODELLI MODELS
1	3218.0112.00		MANIFOLD Ø 15 mm	1	2010 E - 2020 S
	3218.0113.00		MANIFOLD Ø 18 mm	1	3015 S - 3019 S 3025 S - 3517 S 3525 S - 4020 S
2	3202.0018.00		CAP G1/8	1	
3	3609.0108.00		SCREW M6X55	8	2010 E - 2020 S 3015 S - 3019 S 3517 S
	3609.0152.00		SCREW M6X55	8	3025 S - 3525 S 4020 S
4	1210.0046.00	A-D	O-RING 2,62X 17,13 mm	6	
5	3009.0087.00	A	VALVE SEAT	6	
6	3604.0017.00	A	VALVE PLATE	6	
7	1802.0177.00	A	SPRING	6	
8	1205.0025.00	A	VALVE GUIDE	6	
9	1210.0048.00	A-D	O-RING 2,62X 20,24 mm	6	
10	3202.0155.00		CAP	6	
11	3609.0088.00		SCREW M5X10	3	
12	1004.0012.00		CRANKCASE COVER	1	
13	0402.0172.00		SPACER	1	
14	1210.0386.00	D	O-RING 3,53X44,04 mm	1	
15	3019.0011.00		SNAP RING	1	
16	0438.0066.00		BALL BEARING 20X52X15 mm	1	2010 E - 2020 S 3015 S - 3019 S 3517 S
	0438.0069.00		BALL BEARING 20X52X15 mm	1	3025 S - 3525 S 4020 S
17	0403.0128.00		CRANKCASE	1	
19	3200.0051.00		OIL DIPSTICK	1	
20	0009.0196.00	B	HEAD RING Ø15 mm	3	2010 E - 2020 S
	0009.0193.00	B	HEAD RING Ø18 mm	3	3015 S - 3019 S 3025 S - 3517 S 3525 S - 4020 S
21	1241.0034.00	B	PACKING Ø15 mm	3	2010 E - 2020 S
	1241.0035.00	B	PACKING Ø18 mm	3	3015 S - 3019 S 3025 S - 3517 S 3525 S - 4020 S
22	1241.0030.00	B	PACKING 15X22X5,5 mm	3	2010 E - 2020 S
	1241.0028.00	B	PACKING 18X25X5,5 mm	3	3015 S - 3019 S 3025 S - 3517 S 3525 S - 4020 S
23	0009.0198.00		PACKING RETAINER Ø15 mm	3	2010 E - 2020 S
	0009.0197.00		PACKING RETAINER Ø18 mm	3	3015 S - 3019 S 3025 S - 3517 S 3525 S - 4020 S
24	1210.0223.00	B-D	O-RING 1,78X26,7 mm	3	
25	0019.0095.00	D	OIL SEAL 15X24X5 mm	3	
26	0600.0048.00	C	NUT	3	

POS. ITEM	CODICE PART No.	KIT KIT	DESCRIZIONE DESCRIPTION	Q.tà Qty.	MODELLI MODELS
27	2811.0080.00	C	WASHER 8,2X14X1,5 mm	3	
28	0202.0018.00	C	PISTON Ø18 mm	3	3015 S - 3019 S 3025 S - 3517 S 3525 S - 4020 S
	0202.0020.00	C	PISTON Ø15 mm	3	2010 E - 2020 S
29	2812.0038.00	C	WASHER	3	
30	1210.0055.00	C-D	O-RING 1,78X 6,07 mm	3	
31	2409.0044.00		PISTON GUIDES	3	
32	3011.0014.00		WRIST. PIN	3	
33	0205.0048.00		CON. ROD	3	2010 E - 2020 S
	0205.0050.00		CON. ROD	3	3015 S - 3019 S 3025 S - 3517 S 3525 S - 4020 S
34	3019.0033.00		SNAP RING	1	
35	3201.0010.00		OIL INDICATOR	1	
36	1210.0333.00	D	O-RING 1,78X23,52 mm	1	
37	1210.0206.00	D	O-RING 2,62X101,27 mm	1	
38	0402.0142.00		CRANKCASE COVER	1	
39	3609.0041.00		SCREW M6X25	4	
46	1210.0441.00	D	O-RING 2X14 mm	1	
47	3200.0007.00		CAP 3/8GAS OT58	1	
48	3200.0007.00		CAP 3/8GAS OT58	1	
49	2811.0084.00		WASHER 16,7X22X1,5 mm	1	
50	3202.0015.00		CAP G1/2	1	
51	2811.0086.00		WASHER 21,2X27X1,5 mm	1	
61	1220.0030.00		VALVE ASS. BLY.	6	
62	3410.0290.00	E	INJECTOR BODY M22x1,5	1	
	3410.0288.00	E	INJECTOR BODY 3/8" NPT	1	
63	1210.0398.00	E-F	O-RING	1	
64	1210.0402.00	E-F	O-RING	1	
65	1802.0179.00	E	SPRING	1	
66	2409.0076.00	E	CHECK VALVE	1	
67	1210.0397.00	E-F	O-RING	1	
68	3410.0289.00		INJECTOR BODY KIT M22x1,5	1	
	3410.0287.00		INJECTOR BODY KIT 3/8" NPT	1	
69	2409.0075.00		CHECK VALVE KIT	1	
70	1210.0403.00	E-F	O-RING 1,78X8,73 mm VT	1	
71	3009.0122.00	E-F	VALVE SEAT	1	
72	3002.0508.00	E-F	HOUSING WITH BALL	1	
73	3009.0013.00		SEAT KIT	1	
74	0009.0204.00	E-F	RING	1	
75	0009.0205.00	E-F	BACK RING	1	
76	1210.0405.00	E-F	O-RING	1	
77	1210.0404.00	E-F	O-RING	1	
78	1210.0407.00	E-F	O-RING	1	
79	0204.0045.00	E	HOUSING	1	

LWS-K VERSION - 1750 RPM

POS. ITEM	CODICE PART No.	KIT KIT	DESCRIZIONE DESCRIPTION	Q.tà Qty.	MODELLI MODELS
80	2409.0077.00	E-F	PISTON ROD	1	
81	1210.0406.00	E-F	O-RING	1	
82	0009.0206.00	E-F	BACK-UP RING	1	
83	0009.0207.00	E	SEAT	1	
84	1802.0181.00	E	SPRING	1	2010 E - 3015 S 3019 S - 3517 S
	1802.0182.00	E	SPRING	1	3025 S - 3525 S 4020 S
86	0204.0043.00	E	ADJUSTABLE KNOB	1	2010 E - 3015 S 3019 S - 3517 S
	0204.0046.00	E	ADJUSTABLE KNOB	1	3025 S - 3525 S 4020 S
87	1215.0213.00		PRESS. VALVE KIT 1885 p.s.i.	1	2010 E - 3015 S 3019 S - 3517 S
	1215.0218.00		PRESS. VALVE KIT 2610 p.s.i.	1	3025 S - 3525 S 4020 S
88	1817.0045.00		HANDLE	1	
89	1802.0180.00		SPRING	1	
90	3003.0026.00		BALL	1	
91	2812.0067.00		WASHER	1	
92	2803.0373.00		NIPPLE	1	
93	1210.0401.00		O-RING	1	
94	1210.0399.00		O-RING	1	
95	2801.0060.00		HOSE BARB FITTING	1	
96	1210.0400.00		O-RING	1	
97	0015.0171.00		ROD	1	
98	1817.0046.00		CHEMICAL KNOB	1	
99	3301.0543.00		ADJUSTABLE INJECTOR KIT	1	
100	3622.0030.00	E	STOP ADJUSTABLE NUT M4X4	1	
101	1227.0022.00	E	NUT	1	

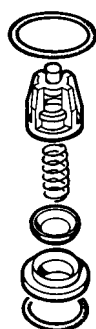
S version

POS. ITEM	CODICE PART No.	KIT KIT	DESCRIZIONE DESCRIPTION	Q.tà Qty.	MODELLI MODELS
40	0019.0094.00	D	OIL SEAL 25X62X70/7 mm	1	
41	3019.0006.00		SNAP RING C72	1	
42	3020.0012.00		SNAP RING C72	1	
43	0438.0071.00		BALL BEARING 25X62X17 mm	1	3025 S - 3525 S 4020 S
	0438.0075.00		BALL BEARING 25X62X17 mm	1	2020 S - 3015 S 3019 S - 3517 S
44	1602.0045.00		KEY 8X7X25 mm	1	
45	0001.0290.00		CRANKSHAFT Ø24 mm	1	3517 S - 3525 S
	0001.0294.00		CRANKSHAFT Ø24 mm	1	4020 S
	0001.0333.00		CRANKSHAFT Ø24 mm	1	2020 S - 3015 S 3019 S - 3025 S

E version

POS. ITEM	CODICE PART No.	KIT KIT	DESCRIZIONE DESCRIPTION	Q.tà Qty.	MODELLI MODELS
52	3609.0032.00		SCREW M6X20	4	
53	3016.0016.00		FLANGE	1	
54	3607.0200.00		SCREW 3/8"16X3/4"	4	
55	0019.0075.00	D	OIL SEAL 35X62X 7 mm	1	
56	3019.0004.00		SNAP RING C72	1	
57	3020.0012.00		SNAP RING C72	1	
58	2812.0064.00		WASHER	1	
59	0438.0015.00		BALL BEARING 35X62X14 mm	1	
60	0001.0338.00		CRANKSHAFT 5/8"	1	

KIT VALVOLA ASP-MAND. COMPLETE VALVE KIT 5025.0011.00



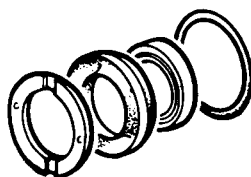
KIT A

5025.0011.00

POS. ITEM	CODICE PART No.	Q.tà Qty.
4	1210.0046.00	6
5	3009.0087.00	6
6	3604.0017.00	6
7	1802.0177.00	6
8	1205.0025.00	6
9	1210.0048.00	6

KIT GUARNIZIONI PISTONE / PISTON SEAL KIT Ø 15 mm 5019.0035.00 - Ø 18 mm 5019.0037.00

KIT B



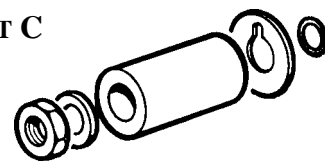
5019.0035.00

5019.0037.00

POS. ITEM	CODICE PART No.	Q.tà Qty.	POS. ITEM	CODICE PART No.	Q.tà Qty.
20	0009.0196.00	3	20	0009.0193.00	3
21	1241.0034.00	3	21	1241.0035.00	3
22	1241.0030.00	3	22	1241.0028.00	3
24	1210.0223.00	3	24	1210.0223.00	3

KIT PISTONE / PISTON KIT Ø 15 mm 2409.0071.00 - Ø 18 mm 2409.0072.00

KIT C



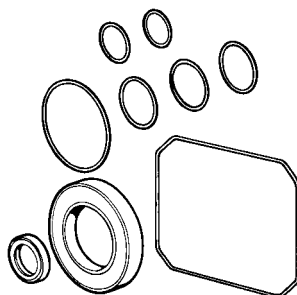
2409.0071.00

2409.0072.00

POS. ITEM	CODICE PART No.	Q.tà Qty.	POS. ITEM	CODICE PART No.	Q.tà Qty.
26	0600.0048.00	3	26	0600.0048.00	3
27	2811.0080.00	3	27	2811.0080.00	3
28	0202.0020.00	3	28	0202.0018.00	3
29	2812.0038.00	3	29	2812.0038.00	3
30	1210.0055.00	3	30	1210.0055.00	3

KIT GUARNIZIONI POMPA / SEAL KIT ALBERO MASCHIO / SOLID SHAFT 5019.0040.00 ALBERO FEMMINA / HOLLOW SHAFT 5019.0041.00

KIT D



5019.0040.00

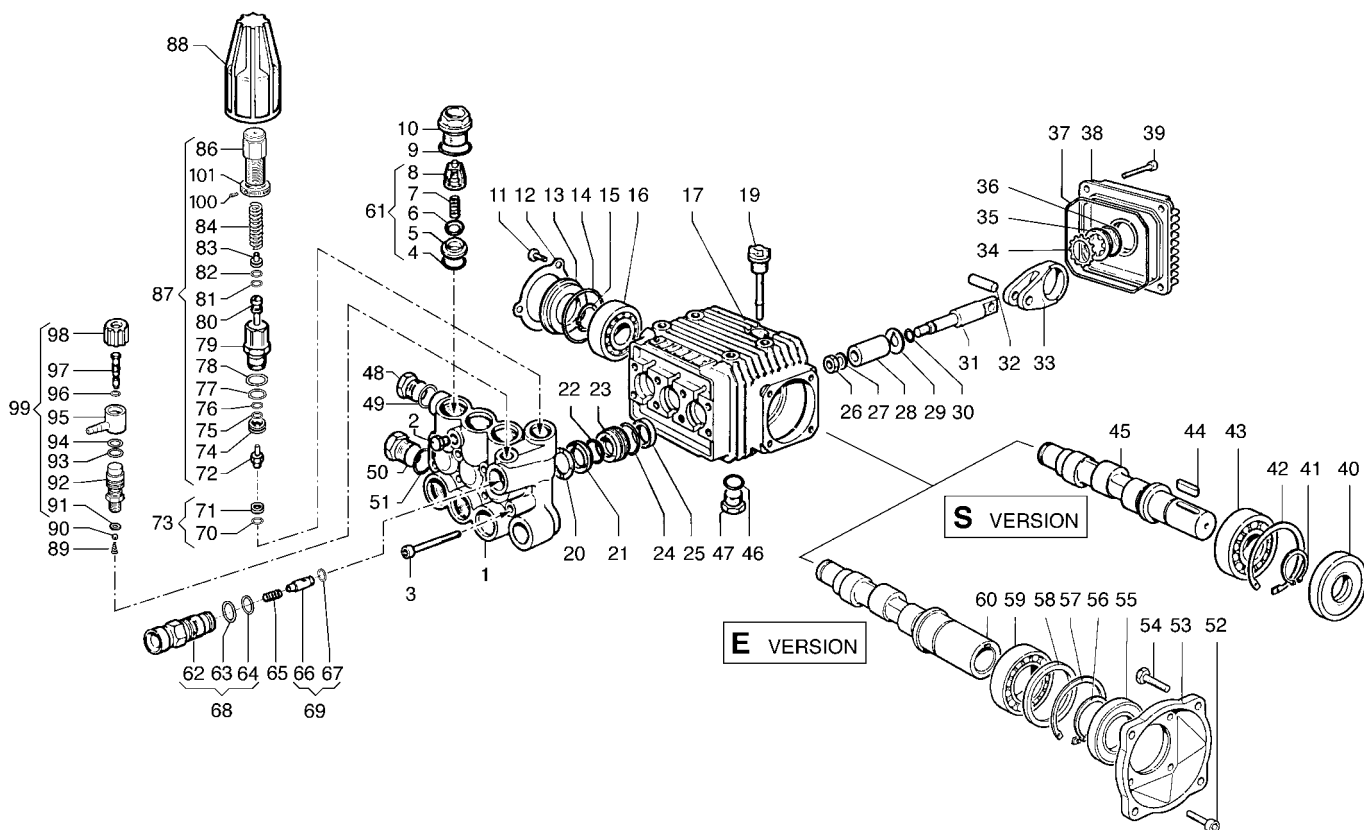
5019.0041.00

POS. ITEM	CODICE PART No.	Q.tà Qty.	POS. ITEM	CODICE PART No.	Q.tà Qty.
4	1210.0046.00	6	4	1210.0046.00	6
9	1210.0048.00	6	9	1210.0048.00	6
14	1210.0386.00	1	14	1210.0386.00	1
24	1210.0223.00	3	24	1210.0223.00	3
25	0019.0095.00	3	25	0019.0095.00	3
30	1210.0055.00	3	30	1210.0055.00	3
36	1210.0333.00	1	36	1210.0333.00	1
37	1210.0206.00	1	37	1210.0206.00	1
40	0019.0094.00	1	46	1210.0441.00	1
46	1210.0441.00	1	55	0019.0075.00	1

Altri KIT
Other KITS

vedi pagine:
see pages:
53 - 54 - 55

LWR-K VERSION - 2800 RPM



POS. ITEM	CODICE PART No.	KIT KIT	DESCRIZIONE DESCRIPTION	Q.tà Qty.	MODELLI MODELS
1	3218.0112.00		MANIFOLD Ø 15 mm	1	
2	3202.0018.00		CAP G1/8	1	
3	3609.0108.00		SCREW M6X55	1	2020 S - 3016 S 3016 E - 3020 S 3517 S
	3609.0152.00		SCREW M6X55	8	3025 S - 3525 S 4022 S
4	1210.0046.00	A-D	O-RING 2,62X 17,13 mm	6	
5	3009.0087.00	A	VALVE SEAT	6	
6	3604.0017.00	A	VALVE PLATE	6	
7	1802.0177.00	A	SPRING	6	
8	1205.0025.00	A	VALVE GUIDE	6	
9	1210.0048.00	A-D	O-RING 2,62X 20,24 mm	6	
10	3202.0155.00		CAP	6	
11	3609.0088.00		SCREW M5X10	3	
12	1004.0012.00		CRANKCASE COVER	1	
13	0402.0172.00		SPACER	1	
14	1210.0386.00	D	O-RING 3,53X44,04 mm	1	
15	3019.0011.00		SNAP RING	1	
16	0438.0066.00		BALL BEARING 20X52X15 mm	1	2020 S - 3016 S 3016 E - 3020 S 3517 S
	0438.0069.00		BALL BEARING 20X52X15 mm	1	3025 S - 3525 S 4022 S
17	0403.0128.00		CRANKCASE	1	
19	3200.0051.00		OIL DIPSTICK	1	
20	0009.0196.00	B	HEAD RING Ø15 mm	3	
21	1241.0034.00	B	PACKING Ø 15 mm	3	
22	1241.0030.00	B	PACKING 15X22X5,5 mm	3	
23	0009.0198.00		PACKING RETAINER Ø15 mm	3	
24	1210.0223.00	B-D	O-RING 1,78X26,7 mm	3	
25	0019.0095.00	D	OIL SEAL 15X24X5 mm	3	
26	0600.0048.00	C	NUT	3	
27	2811.0080.00	C	WASHER 8,2X14X1,5 mm	3	
28	0202.0020.00	C	PISTON Ø15 mm	3	
29	2812.0038.00	C	WASHER	3	
30	1210.0055.00	C-D	O-RING 1,78X 6,07 mm	3	
31	2409.0044.00		PISTON GUIDES	3	
32	3011.0014.00		WRIST. PIN	3	

POS. ITEM	CODICE PART No.	KIT KIT	DESCRIZIONE DESCRIPTION	Q.tà Qty.	MODELLI MODELS
33	0205.0048.00		CON. ROD	3	3016 S - 3016 E 3517 S
	0205.0050.00		CON. ROD	3	2020 S - 3020 S 3025 S - 3525 S 4022 S
34	3019.0033.00		SNAP RING Ø18 mm	1	
35	3201.0010.00		OIL INDICATOR	1	
36	1210.0333.00	D	O-RING 1,78X23,52 mm	1	
37	1210.0206.00	D	O-RING 2,62X101,27 mm	1	
38	0402.0142.00		CRANKCASE COVER	1	
39	3609.0041.00		SCREW M6X25	4	
46	1210.0441.00	D	O-RING 2X14 mm	1	
47	3200.0007.00		CAP 3/8GAS OT58	1	
48	3200.0007.00		CAP 3/8GAS OT58	1	
49	2811.0084.00		WASHER 16,7X22X1,5 mm	1	
50	3202.0015.00		CAP G1/2	1	
51	2811.0086.00		WASHER 21,2X27X1,5 mm	1	
61	1220.0030.00		VALVE ASS. BLY.	6	
	3410.0290.00	E	INJECTOR BODY M22x1,5	1	
	3410.0288.00	E	INJECTOR BODY 3/8" NPT	1	
63	1210.0398.00	E-F	O-RING	1	
64	1210.0402.00	E-F	O-RING	1	
65	1802.0179.00	E	SPRING	1	
66	2409.0076.00	E	CHECK VALVE	1	
67	1210.0397.00	E-F	O-RING	1	
68	3410.0289.00		INJECTOR BODY KIT M22x1,5	1	
	3410.0287.00		INJECTOR BODY KIT 3/8" NPT	1	
69	2409.0075.00		CHECK VALVE KIT	1	
70	1210.0403.00	E-F	O-RING 1,78X8,73 mm VT	1	
71	3009.0122.00	E-F	VALVE SEAT	1	
72	3002.0508.00	E-F	HOUSING WITH BALL	1	
73	3009.0013.00		SEAT KIT	1	
74	0009.0204.00	E-F	RING	1	
75	0009.0205.00	E-F	BACK RING	1	
76	1210.0405.00	E-F	O-RING	1	
77	1210.0404.00	E-F	O-RING	1	
78	1210.0407.00	E-F	O-RING	1	
79	0204.0045.00	E	HOUSING	1	
80	2409.0077.00	E-F	PISTON ROD	1	
81	1210.0406.00	E-F	O-RING	1	

LWR-K VERSION - 2800 RPM

POS. ITEM	CODICE PART No.	KIT KIT	DESCRIZIONE DESCRIPTION	Q.tà Qty.	MODELLI MODELS
82	0009.0206.00	E-F	BACK-UP RING	1	
83	0009.0207.00	E	SEAT	1	
84	1802.0181.00	E	SPRING	1	3016 S - 3016 E 3517 S
	1802.0182.00	E	SPRING	1	2020 S - 3020 S 3025 S - 3525 S 4022 S
86	0204.0043.00	E	ADJUSTABLE KNOB	1	3016 S - 3016 E 3517 S
	0204.0046.00	E	ADJUSTABLE KNOB	1	2020 S - 3020 S 3025 S - 3525 S 4022 S
87	1215.0213.00		PRESS. VALVE KIT 1885 p.s.i.	1	3016 S - 3016 E 3517 S
	1215.0218.00		PRESS. VALVE KIT 2610 p.s.i.	1	2020 S - 3020 S 3025 S - 3525 S 4022 S
88	1817.0045.00		HANDLE	1	
89	1802.0180.00		SPRING	1	
90	3003.0026.00		BALL	1	
91	2812.0067.00		WASHER	1	
92	2803.0373.00		NIPPLE	1	
93	1210.0401.00		O-RING	1	
94	1210.0399.00		O-RING	1	
95	2801.0060.00		HOSE BARB FITTING	1	
96	1210.0400.00		O-RING	1	
97	0015.0171.00		ROD	1	
98	1817.0046.00		CHEMICAL KNOB	1	
99	3301.0543.00		ADJUSTABLE INJECTOR KIT	1	
100	3622.0030.00	E	STOP ADJUSTABLE NUT M4X4	1	
101	1227.0022.00	E	NUT	1	

E version

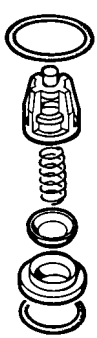
POS. ITEM	CODICE PART No.	KIT KIT	DESCRIZIONE DESCRIPTION	Q.tà Qty.	MODELLI MODELS
52	3609.0032.00		SCREW M6X20	4	
53	3016.0014.00		FLANGE	1	
54	3607.0015.00		SCREW M8X20	4	
55	0019.0075.00	D	OIL SEAL 35X62X 7 mm	1	
56	3019.0004.00		SNAP RING C72	1	
57	3020.0012.00		SNAP RING C72	1	
58	2812.0064.00		WASHER	1	
59	0438.0015.00		BALL BEARING 35X62X14 mm	1	
60	0001.0340.00		CRANKSHAFT Ø24 mm	1	

S version

POS. ITEM	CODICE PART No.	KIT KIT	DESCRIZIONE DESCRIPTION	Q.tà Qty.	MODELLI MODELS
40	0019.0094.00	D	OIL SEAL 25X62X10/7 mm	1	
41	3019.0006.00		SNAP RING C72	1	
42	3020.0012.00		SNAP RING C72	1	
43	0438.0075.00		BALL BEARING 25X62X17 mm	1	2020 S - 3016 S 3020 S - 3517 S
	0438.0071.00		BALL BEARING 25X62X17 mm	1	3025 S - 3525 S 4022 S
44	1602.0045.00		KEY 8X7X25 mm	1	
45	0001.0288.00		CRANKSHAFT Ø24 mm	1	3016 S - 3020 S 3025 S
	0001.0290.00		CRANKSHAFT Ø24 mm	1	4022 S
	0001.0331.00		CRANKSHAFT Ø24 mm	1	2020 S
	0001.0333.00		CRANKSHAFT Ø24 mm	1	3517 S - 3525 S

KIT VALVOLA ASP.-MAND.
COMPLETE VALVE KIT
5025.0011.00

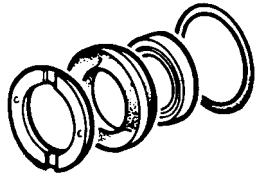
KIT A



POS. ITEM	CODICE PART No.	Q.tà Qty.
4	1210.0046.00	6
5	3009.0087.00	6
6	3604.0017.00	6
7	1802.0177.00	6
8	1205.0025.00	6
9	1210.0048.00	6

KIT GUARNIZIONI PISTONE / PISTON SEAL KIT
Ø 15 mm 5019.0035.00

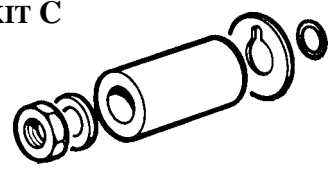
KIT B



POS. ITEM	CODICE PART No.	Q.tà Qty.
20	0009.0196.00	3
21	1241.0034.00	3
22	1241.0030.00	3
24	1210.0223.00	3

KIT PISTONE / PISTON KIT
Ø 15 mm 2409.0071.00

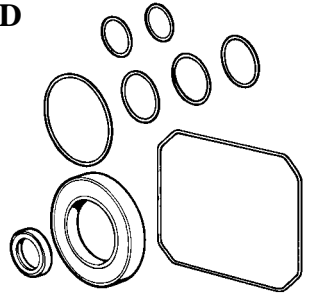
KIT C



POS. ITEM	CODICE PART No.	Q.tà Qty.
26	0600.0048.00	3
27	2811.0080.00	3
28	0202.0020.00	3
29	2812.0038.00	3
30	1210.0055.00	3

KIT GUARNIZIONI POMPA / SEAL KIT
ALBERO MASCHIO / SOLID SHAFT 5019.0040.00
ALBERO FEMMINA / HOLLOW SHAFT 5019.0041.00

KIT D

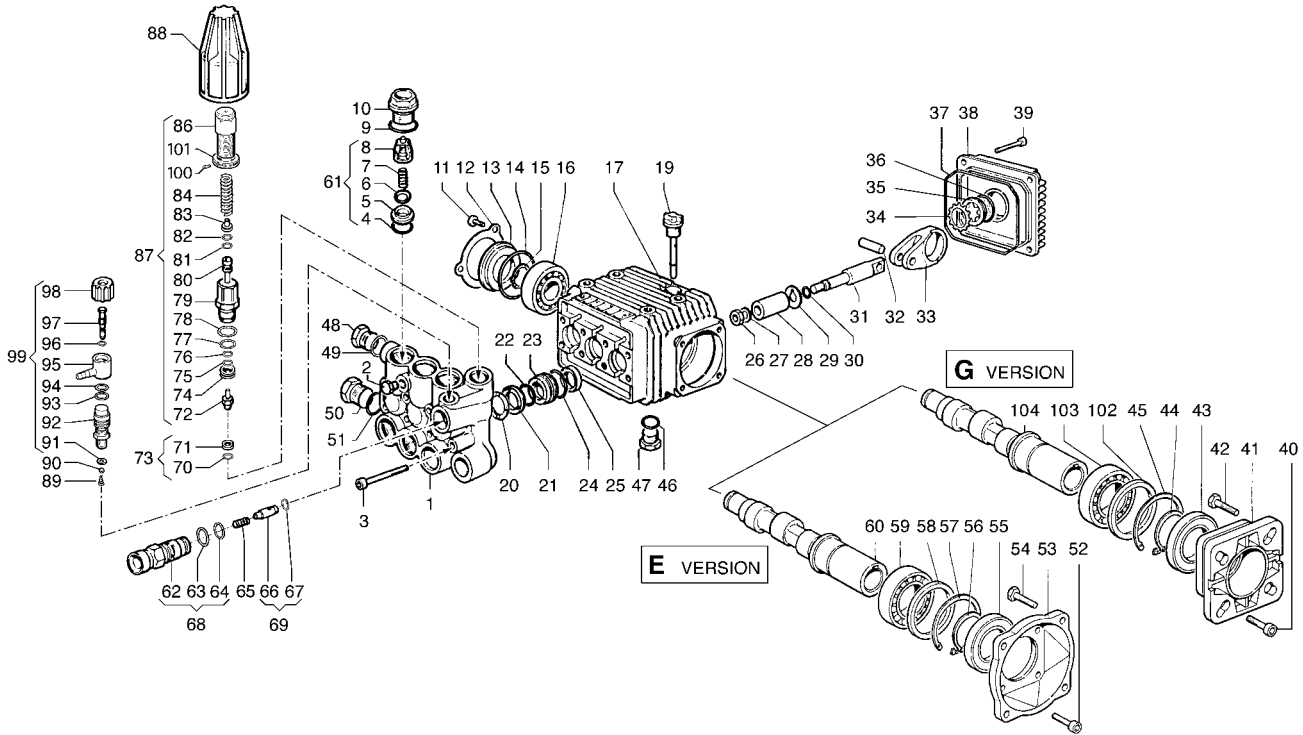


5019.0040.00			5019.0041.00		
POS. ITEM	CODICE PART No.	Q.tà Qty.	POS. ITEM	CODICE PART No.	Q.tà Qty.
4	1210.0046.00	6	4	1210.0046.00	6
9	1210.0048.00	6	9	1210.0048.00	6
14	1210.0386.00	1	14	1210.0386.00	1
24	1210.0223.00	3	24	1210.0223.00	3
25	0019.0095.00	3	25	0019.0095.00	3
30	1210.0055.00	3	30	1210.0055.00	3
36	1210.0333.00	1	36	1210.0333.00	1
37	1210.0206.00	1	37	1210.0206.00	1
40	0019.0094.00	1	46	1210.0441.00	1
46	1210.0441.00	1	55	0019.0075.00	1

Altri KIT
Other KITS

vedi pagine:
see pages:
53 - 54 - 55

LWD-K VERSION - 3400 RPM



POS. ITEM	CODICE PART No.	KIT KIT	DESCRIZIONE DESCRIPTION	Q.tà Qty.	MODELLI MODELS
1	3218.0112.00		MANIFOLD Ø 15 mm	1	
2	3202.0018.00		CAP G1/8	1	
3	3609.0108.00		SCREW M6X55	8	2010 E - 2010 G 2015 E - 2015 G 2020 E - 2020 G 2520 G - 3010 E 3010 G - 3015 E 3015 G - 3020 E 3020 G
	3609.0152.00		SCREW M6X55	8	3025 G - 3522 G 4020 G
4	1210.0046.00	A-D	O-RING 2,62X 17,13 mm	6	
5	3009.0087.00	A	VALVE SEAT	6	
6	3604.0017.00	A	VALVE PLATE	6	
7	1802.0177.00	A	SPRING	6	
8	1205.0025.00	A	VALVE GUIDE	6	
9	1210.0048.00	A-D	O-RING 2,62X 20,24 mm	6	
10	3202.0155.00		CAP	6	
11	3609.0088.00		SCREW M5X10	3	
12	1004.0012.00		CRANKCASE COVER	1	
13	0402.0172.00		SPACER	1	
14	1210.0386.00	D	O-RING 3,53X44,04 mm	1	
15	3019.0011.00		SNAP RING	1	
16	0438.0066.00		BALL BEARING 20X52X15 mm	1	2010 E - 2010 G 2015 E - 2015 G 2020 E - 2020 G 2520 G - 3010 E 3010 G - 3015 E 3015 G - 3020 E 3020 G
	0438.0069.00		BALL BEARING 20X52X15 mm	1	3025 G - 3522 G 4020 G
17	0403.0128.00		CRANKCASE	1	
19	3200.0051.00		OIL DIPSTICK	1	
20	0009.0196.00	B	HEAD RING Ø15 mm	3	
21	1241.0034.00	B	PACKING Ø15 mm	3	
22	1241.0030.00	B	PACKING 15X22X5,5 mm	3	
23	0009.0198.00		PACKING RETAINER Ø15 mm	3	
24	1210.0223.00	B-D	O-RING 1,78X26,7 mm	3	
25	0019.0095.00	D	OIL SEAL 15X24X5 mm	3	
26	0600.0048.00	C	NUT	3	
27	2811.0080.00	C	WASHER 8,2X14X1,5 mm	3	
28	0202.0020.00	C	PISTON Ø15 mm	3	
29	2812.0038.00	C	WASHER	3	
30	1210.0055.00	C-D	O-RING 1,78X 6,07 mm	3	
31	2409.0044.00		PISTON GUIDES	3	

POS. ITEM	CODICE PART No.	KIT KIT	DESCRIZIONE DESCRIPTION	Q.tà Qty.	MODELLI MODELS
32	3011.0014.00		WRIST. PIN	3	
33	0205.0048.00		CON. ROD	3	2010 E - 2010 G 2015 E - 2015 G 2020 E - 2020 G 2520 G - 3010 E 3010 G - 3015 E 3015 G - 3020 E 3020 G
	0205.0050.00		CON. ROD	3	3025 G - 3522 G 4020 G
34	3019.0033.00		SNAP RING Ø18 mm	1	
35	3201.0010.00		OIL INDICATOR	1	
36	1210.0333.00	D	O-RING 1,78X23,52 mm	1	
37	1210.0206.00	D	O-RING 2,62X101,27 mm	1	
38	0402.0142.00		CRANKCASE COVER	1	
39	3609.0041.00		SCREW M6X25	4	
46	1210.0441.00	D	O-RING 2x14 mm	1	
47	3200.0007.00		CAP 3/8GAS OT58	1	
48	3200.0007.00		CAP 3/8GAS OT58	1	
49	2811.0084.00		WASHER 16,7X22X1,5 mm	1	
50	3202.0015.00		CAP G1/2	1	
51	2811.0086.00		WASHER 21,2X27X1,5 mm	1	
61	1220.0030.00		VALVE ASS. BLY.	6	
62	3410.0290.00	E	INJECTOR BODY M22 x 1,5	1	
	3410.0288.00	E	INJECTOR BODY 3/8" NPT	1	
63	1210.0398.00	E-F	O-RING	1	
64	1210.0402.00	E-F	O-RING	1	
65	1802.0179.00	E	SPRING	1	
66	2409.0076.00	E	CHECK VALVE	1	
67	1210.0397.00	E-F	O-RING	1	
68	3410.0289.00		INJECTOR BODY KIT M22 x 1,5	1	
	3410.0287.00		INJECTOR BODY KIT 3/8" NPT	1	
69	2409.0075.00		CHECK VALVE KIT	1	
70	1210.0403.00	E-F	O-RING 1,78X8,73 mm VT	1	
71	3009.0122.00	E-F	VALVE SEAT	1	
72	3002.0508.00	E-F	HOUSING WITH BALL	1	
73	3009.0013.00		SEAT KIT	1	
74	0009.0204.00	E-F	RING	1	
75	0009.0205.00	E-F	BACK RING	1	
76	1210.0405.00	E-F	O-RING	1	
77	1210.0404.00	E-F	O-RING	1	
78	1210.0407.00	E-F	O-RING	1	
79	0204.0045.00	E	HOUSING	1	
80	2409.0077.00	E-F	PISTON ROD	1	
81	1210.0406.00	E-F	O-RING	1	

LWD-K VERSION - 3400 RPM

POS. ITEM	CODICE PART No.	KIT KIT	DESCRIZIONE DESCRIPTION	Q.tà Qty.	MODELLI MODELS
82	0009.0206.00	E-F	BACK-UP RING	1	
83	0009.0207.00	E	SEAT	1	
84	1802.0181.00	E	SPRING	1	2010 E - 2010 G 2015 E - 2015 G 3010 E - 3010 G 3015 E - 3015 G
	1802.0182.00	E	SPRING	1	2020 E - 2020 G 3020 E - 3020 G 3025 G - 3522 G 4020 G
86	0204.0043.00	E	ADJUSTABLE KNOB	1	2010 E - 2010 G 2015 E - 2015 G 3010 E - 3010 G 3015 E - 3015 G
	0204.0046.00	E	ADJUSTABLE KNOB	1	2020 E - 2020 G 3020 E - 3020 G 3025 G - 3522 G 4020 G
87	1215.0213.00		PRESS. VALVE KIT 1885 p.s.i.	1	2010 E - 2010 G 2015 E - 2015 G 3010 E - 3010 G 3015 E - 3015 G
	1215.0218.00		PRESS. VALVE KIT 2610 p.s.i.	1	2020 E - 2020 G 3020 E - 3020 G 3025 G - 3522 G 4020 G
88	1817.0045.00		HANDLE	1	
89	1802.0180.00		SPRING	1	
90	3003.0026.00		BALL	1	
91	2812.0067.00		WASHER	1	
92	2803.0373.00		NIPPLE	1	
93	1210.0401.00		O-RING	1	
94	1210.0399.00		O-RING	1	
95	2801.0060.00		HOSE BARB FITTING	1	
96	1210.0400.00		O-RING	1	
97	0015.0171.00		ROD	1	
98	1817.0046.00		CHEMICAL KNOB	1	
99	3301.0543.00		ADJUSTABLE INJECTOR KIT	1	
100	3622.0030.00	E	STOP ADJUSTABLE NUT M4X4	1	
101	1227.0022.00	E	NUT	1	

E version

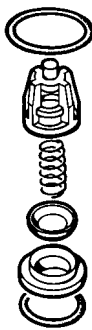
POS. ITEM	CODICE PART No.	KIT KIT	DESCRIZIONE DESCRIPTION	Q.tà Qty.	MODELLI MODELS
52	3609.0032.00		SCREW M6X20	4	
53	3016.0016.00		FLANGE	1	
54	3607.0200.00		SCREW 3/8"16X3/4"	4	
55	0019.0075.00	D	OIL SEAL 35X62X 7 mm	1	
56	3019.0004.00		SNAP RING C72	1	
57	3020.0012.00		SNAP RING C72	1	
58	2812.0064.00		WASHER	1	
59	0438.0015.00		BALL BEARING 35X62X14 mm	1	
60	0001.0336.00		CRANKSHAFT 5/8"	1	2010 E - 2015 E 2020 E
	0001.0337.00		CRANKSHAFT 5/8"	1	3010 E - 3015 E 3020 E

G version

POS. ITEM	CODICE PART No.	KIT KIT	DESCRIZIONE DESCRIPTION	Q.tà Qty.	MODELLI MODELS
40	3609.0032.00		SCREW M6X20	4	
41	3016.0012.00		FLANGE	1	
42	3607.0199.00		SCREW 5/16"24X3/4"	4	
43	0019.0075.00	D	OIL SEAL 35X62X 7 mm	1	
44	3019.0004.00		SNAP RING C72	1	
45	3020.0012.00		SNAP RING C72	1	
102	2812.0064.00		WASHER	1	
103	0438.0015.00		BALL BEARING 35X62X14 mm	1	2010 G - 2015 G 2020 G - 2520 G 3010 G - 3015 G 3020 G
	0438.0070.00		BALL BEARING 35X62X14 mm	1	3025 G - 3522 G 4020 G
104	0001.0334.00		CRANKSHAFT 3/4"	1	2010 G - 2015 G 2020 G
	0001.0335.00		CRANKSHAFT 3/4"	1	3010 G - 3015 G 3020 G - 3025 G
	0001.0383.00		CRANKSHAFT 3/4"	1	3522 G
	0001.0384.00		CRANKSHAFT 3/4"	1	4020 G
	0001.0406.00		CRANKSHAFT 3/4"	1	2520 G

KIT VALVOLA ASP.-MAND. COMPLETE VALVE KIT 5025.0011.00

KIT A

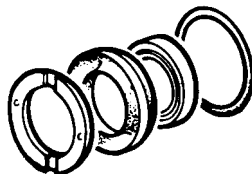


5025.0011.00

POS. ITEM	CODICE PART No.	Q.tà Qty.
4	1210.0046.00	6
5	3009.0087.00	6
6	3604.0017.00	6
7	1802.0177.00	6
8	1205.0025.00	6
9	1210.0048.00	6

KIT GUARNIZIONI PISTONE / PISTON SEAL KIT Ø 15 mm 5019.0035.00

KIT B

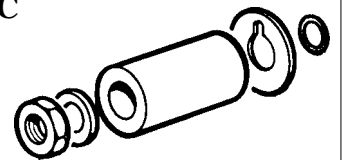


5019.0035.00

POS. ITEM	CODICE PART No.	Q.tà Qty.
20	0009.0196.00	3
21	1241.0034.00	3
22	1241.0030.00	3
24	1210.0223.00	3

KIT PISTONE / PISTON KIT Ø 15 mm 2409.0071.00

KIT C

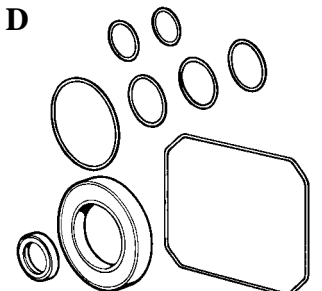


2409.0071.00

POS. ITEM	CODICE PART No.	Q.tà Qty.
26	0600.0048.00	3
27	2811.0080.00	3
28	0202.0020.00	3
29	2812.0038.00	3
30	1210.0055.00	3

KIT GUARNIZIONI POMPA / SEAL KIT ALBERO FEMMINA / HOLLOW SHAFT 5019.0041.00

KIT D



5019.0041.00

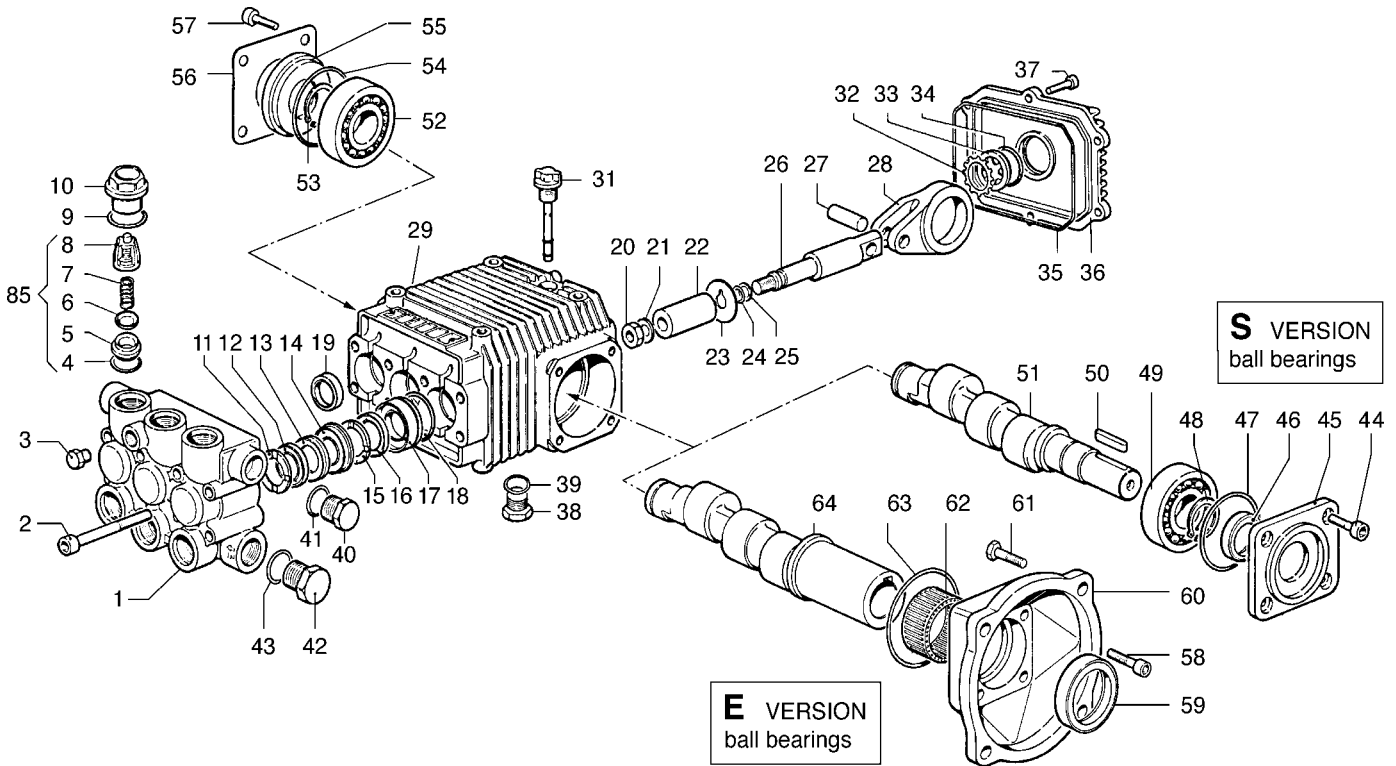
POS. ITEM	CODICE PART No.	Q.tà Qty.
4	1210.0046.00	6
9	1210.0048.00	6
14	1210.0386.00	1
24	1210.0223.00	3
25	0019.0095.00	3
30	1210.0055.00	3
36	1210.0333.00	1
37	1210.0206.00	1
46	1210.0441.00	1
43-55	0019.0075.00	1

Altri KIT
Other KITS

vedi pagine:
see pages:
53 - 54 - 55

FW VERSION - CUSCINETTI A SFERE / BALL BEARINGS - 1450 RPM

SOLO PER MODELLI / ONLY FOR MODELS **3525 S-E** **4022 S-E**



POS. ITEM	CODICE PART No.	KIT KIT	DESCRIZIONE DESCRIPTION	Q.tà Qty.	MODELLI MODELS
1	3218.0110.00		MANIFOLD Ø 18 mm	1	
2	3609.0039.00		SCREW M8X70	8	
3	3202.0112.00		CAP G1/4	1	
4	1210.0046.00	A-D	O-RING 2,62X 17,13 mm	6	
5	3009.0087.00	A	VALVE SEAT	6	
6	3604.0017.00	A	VALVE PLATE	6	
7	1802.0177.00	A	SPRING	6	
8	1205.0025.00	A	VALVE CAGE	6	
9	1210.0048.00	A-D	O-RING 2,62X 20,24 mm	6	
10	3202.0155.00		CAP	6	
11	0009.0199.00	B	HEAD RING Ø18 mm	3	
12	1241.0026.00	B	PACKING Ø18 mm	3	
13	0009.0100.00	B	PACKING Ø18 mm	3	
14	0009.0200.00		INTERMED. RING Ø18 mm	3	
15	0009.0199.00	B	HEAD RING Ø18 mm	3	
16	1241.0026.00	B	PACKING Ø18 mm	3	
17	0009.0102.00		PACKING RETAINER Ø18mm	3	
18	1210.0156.00	B-D	O-RING 1,78X31,47 mm	3	
19	0019.0066.00	D	OIL SEAL 20X30X5 mm	3	
20	0600.0054.00	C	NUT	3	
21	2811.0082.00	C	WASHER 8,2X17X1,5 mm	3	
22	0202.0022.00	C	PISTON Ø18	3	
23	2812.0042.00	C	WASHER	3	
24	1210.0039.00	C-D	O-RING 1,78X 7,66 mm	3	
25	0009.0170.00	C-D	ANTI-EXTR. RING	3	
26	2409.0048.00		PISTON GUIDES	3	
27	3011.0016.00		WRIST. PIN Ø10X29 mm	3	
28	0205.0046.00		CON. ROD	3	
29	0403.0129.00		CRANKCASE	1	3525 S - 4022 S
	0403.0130.00		CRANKCASE	1	3525 E - 4022 E
31	3200.0051.00		OIL DIPSTICK	1	
32	3019.0033.00		SNAP RING Ø18 mm	1	
33	3201.0012.00		OIL INDICATOR	1	
34	1210.0333.00	D	O-RING 1,78X23,52 mm	1	
35	1210.0216.00	D	O-RING 2,62X107,62 mm	1	
36	0402.0169.00		CRANKCASE COVER	1	
37	3609.0030.00		SCREW M5X20	6	
38	3200.0007.00		CAP 3/8 GAS	1	
39	1210.0441.00	D	O-RING 2x14 mm	1	
40	3200.0007.00		CAP 3/8 GAS	1	
41	2811.0084.00		WASHER 16,7X22X1,5 mm	1	

POS. ITEM	CODICE PART No.	KIT KIT	DESCRIZIONE DESCRIPTION	Q.tà Qty.	MODELLI MODELS
42	3202.0015.00		CAP G1/2	1	
43	2811.0086.00		WASHER 21,2X27X1,5 mm	1	
52	0438.0071.00		BALL BEARING 25X62X17 mm	1	
53	3019.0006.00		SNAP RING C72	1	
54	1210.0387.00	D	O-RING 3,53X55,56 mm	1	
55	0402.0176.00		SPACER	1	
56	1004.0015.00		CRANKCASE COVER	1	
57	3609.0068.00		SCREW M6X12	4	
85	1220.0030.00		VALVE ASS. BLY.	6	

S version

POS. ITEM	CODICE PART No.	KIT KIT	DESCRIZIONE DESCRIPTION	Q.tà Qty.	MODELLI MODELS
44	3609.0058.00		SCREW M8X22	4	
45	0402.0170.00		FLANGE	1	
46	0019.0007.00	D	OIL SEAL 25X52X7 mm	1	
47	1210.0388.00	D	O-RING	1	
48	3019.0006.00		SNAP RING C72	1	
49	0438.0071.00		BALL BEARING 25X62X17 mm	1	
50	1602.0013.00		KEY 8X7X30	1	
51	0001.0324.00		CRANKSHAFT Ø24 mm	1	3525 S
	0001.0325.00		CRANKSHAFT Ø24 mm	1	4022 S

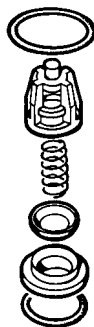
E version

POS. ITEM	CODICE PART No.	KIT KIT	DESCRIZIONE DESCRIPTION	Q.tà Qty.	MODELLI MODELS
58	3609.0058.00		SCREW M8X22	4	
59	0019.0052.00	D	OIL SEAL 40X52X7 mm	1	
60	3016.0018.00		FLANGE	1	
61	3607.0026.00		SCREW M8X25	4	
62	0437.0027.00		NEEDLE 40X47X20 mm	1	
63	1210.0150.00	D	O-RING 2,62X63,17 mm	1	
64	0001.0326.00		CRANKSHAFT Ø28 mm	1	3525 E
	0001.0328.00		CRANKSHAFT Ø28 mm	1	4022 E

FW VERSION - CUSCINETTI A SFERE / BALL BEARINGS - 1450 RPM

KIT VALVOLA ASP.-MAND. COMPLETE VALVE KIT 5025.0011.00

KIT A

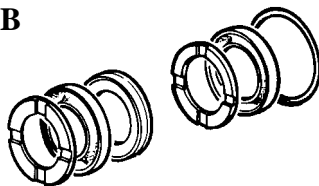


5025.0011.00

POS. ITEM	CODICE PART No.	Q.tà Qty.
4	1210.0046.00	6
5	3009.0087.00	6
6	3604.0017.00	6
7	1802.0177.00	6
8	1205.0025.00	6
9	1210.0048.00	6

KIT GUARNIZIONI PISTONE / PISTON SEAL KIT Ø 18 mm 5019.0038.00

KIT B

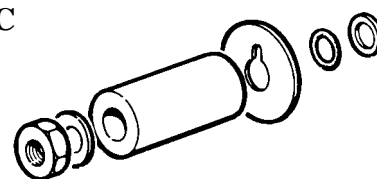


5019.0038.00

POS. ITEM	CODICE PART No.	Q.tà Qty.
11	0009.0199.00	3
12	1241.0026.00	3
13	0009.0100.00	3
15	0009.0199.00	3
16	1241.0026.00	3
18	1210.0156.00	3

KIT PISTONE / PISTON KIT Ø 18 mm 2409.0073.00

KIT C

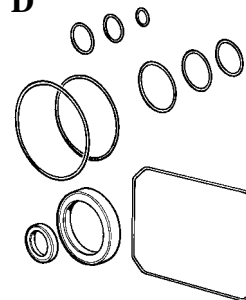


2409.0073.00

POS. ITEM	CODICE PART No.	Q.tà Qty.
20	0600.0054.00	3
21	2811.0082.00	3
22	0202.0022.00	3
23	2812.0042.00	3
24	1210.0039.00	3
25	0009.0170.00	3

KIT GUARNIZIONI POMPA / SEAL KIT ALBERO MASCHIO / SOLID SHAFT 5019.0066.00 ALBERO FEMMINA / HOLLOW SHAFT 5019.0043.00

KIT D



5019.0066.00

POS. ITEM	CODICE PART No.	Q.tà Qty.
4	1210.0046.00	6
9	1210.0048.00	6
18	1210.0156.00	3
19	0019.0066.00	3
24	1210.0039.00	3
25	0009.0170.00	3
34	1210.0333.00	1
35	1210.0216.00	1
39	1210.0441.00	1
46	0019.0007.00	1
47	1210.0388.00	1
54	1210.0387.00	1

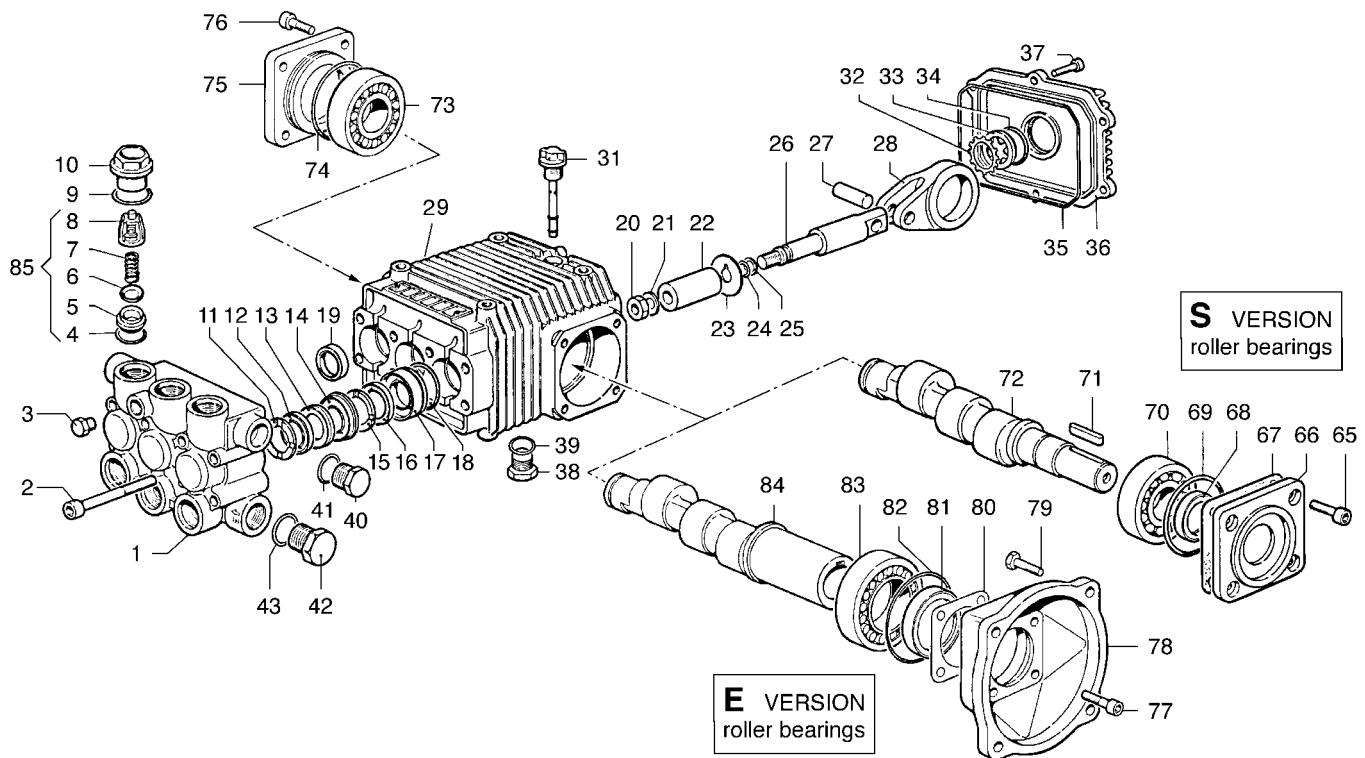
5019.0043.00

POS. ITEM	CODICE PART No.	Q.tà Qty.
4	1210.0046.00	6
9	1210.0048.00	6
18	1210.0156.00	3
19	0019.0066.00	3
24	1210.0039.00	3
25	0009.0170.00	3
34	1210.0333.00	1
35	1210.0216.00	1
39	1210.0441.00	1
54	1210.0387.00	1
59	0019.0052.00	1
63	1210.0150.00	1

Altri KIT
Other KITS

vedi pagine:
see pages:
54 - 55

FW VERSION - CUSCINETTI A RULLI / *ROLLER BEARINGS* - 1450 RPM



POS. ITEM	CODICE PART No.	KIT KIT	DESCRIZIONE DESCRIPTION	Q.tà Qty.	MODELLI MODELS
1	3218.0109.00		MANIFOLD Ø20 mm	1	5023 S - 5023 E 5030 S - 5522 S 5522 E - 5526 S 5530 S
	3218.0110.00		MANIFOLD Ø 18 mm	1	3016 S - 3525 S 3525 E - 3530 S 3530 E - 4030 S 4030 E
2	3609.0039.00		SCREW M8X70	8	
3	3202.0112.00		CAP G1/4	1	
4	1210.0046.00	A-D	O-RING 2,62X 17,13 mm	6	
5	3009.0087.00	A	VALVE SEAT	6	
6	3604.0017.00	A	VALVE PLATE	6	
7	1802.0177.00	A	SPRING	6	
8	1205.0025.00	A	VALVE CAGE	6	
9	1210.0048.00	A-D	O-RING 2,62X 20,24 mm	6	
10	3202.0155.00		CAP	6	
11	0009.0108.00	B	HEAD RING Ø20 mm	3	5023 S - 5023 E 5030 S - 5522 S 5522 E - 5526 S 5530 S
	0009.0199.00	B	HEAD RING Ø18 mm	3	3016 S - 3525 S 3525 E - 3530 S 3530 E - 4030 S 4030 E
12	1241.0032.00	B	PACKING Ø20 mm	3	5023 S - 5023 E 5030 S - 5522 S 5522 E - 5526 S 5530 S
	1241.0026.00	B	PACKING Ø18 mm	3	3016 S - 3525 S 3525 E - 3530 S 3530 E - 4030 S 4030 E
13	0009.0104.00	B	PACKING Ø20 mm	3	5023 S - 5023 E 5030 S - 5522 S 5522 E - 5526 S 5530 S
	0009.0100.00	B	PACKING Ø18 mm	3	3016 S - 3525 S 3525 E - 3530 S 3530 E - 4030 S 4030 E

POS. ITEM	CODICE PART No.	KIT KIT	DESCRIZIONE DESCRIPTION	Q.tà Qty.	MODELLI MODELS
14	0009.0114.00		INTERMED. RING Ø20 mm	3	5023 S - 5023 E 5030 S - 5522 S 5522 E - 5526 S 5530 S
	0009.0200.00		INTERMED. RING Ø18 mm	3	3016 S - 3525 S 3525 E - 3530 S 3530 E - 4030 S 4030 E
15	0009.0108.00	B	HEAD RING Ø20 mm	3	5023 S - 5023 E 5030 S - 5522 S 5522 E - 5526 S 5530 S
	0009.0199.00	B	HEAD RING Ø18 mm	3	3016 S - 3525 S 3525 E - 3530 S 3530 E - 4030 S 4030 E
16	1241.0032.00	B	PACKING Ø 20 mm	3	5023 S - 5023 E 5030 S - 5522 S 5522 E - 5526 S 5530 S
	1241.0026.00	B	PACKING Ø 18 mm	3	3016 S - 3525 S 3525 E - 3530 S 3530 E - 4030 S 4030 E
17	0009.0106.00		PACKING RETAINER Ø20 mm	3	5023 S - 5023 E 5030 S - 5522 S 5522 E - 5526 S 5530 S
	0009.0102.00		PACKING RETAINER Ø18 mm	3	3016 S - 3525 S 3525 E - 3530 S 3530 E - 4030 S 4030 E
18	1210.0156.00	B-D	O-RING 1,78X31,47 mm	3	
19	0019.0066.00	D	OIL SEAL 20X30X5 mm	3	
20	0600.0054.00	C	NUT	3	
21	2811.0082.00	C	WASHER 8,2X17X1,5 mm	3	
22	0202.0024.00	C	PISTON Ø20 mm	3	5023 S - 5023 E 5030 S - 5522 S 5522 E - 5526 S 5530 S
	0202.0022.00	C	PISTON Ø18 mm	3	3016 S - 3525 S 3525 E - 3530 S 3530 E - 4030 S 4030 E

FW VERSION - CUSCINETTI A RULLI / *ROLLER BEARINGS* - 1450 RPM

POS. ITEM	CODICE PART No.	KIT KIT	DESCRIZIONE DESCRIPTION	Q.tà Qty.	MODELLI MODELS
23	2812.0042.00	C	WASHER	3	
24	1210.0039.00	C-D	O-RING 1,78X 7,66 mm	3	
25	0009.0170.00	C-D	ANTI-EXTR. RING	3	
26	2409.0048.00		PISTON GUIDES	3	
27	3011.0016.00		WRIST. PIN Ø10X29 mm	3	
28	0205.0044.00		CON. ROD	3	
29	0403.0129.00		CRANKCASE	1	3016 S - 3527 S 3525 S - 3530 S 4030 S - 5023 S 5030 S - 5522 S 5526 S - 5530 S
	0403.0130.00		CRANKCASE	1	3525 E - 3530 E 4030 E - 5023 E 5522 E
31	3200.0051.00		OIL DIPSTICK	1	
32	3019.0033.00		SNAP RING Ø18 mm	1	
33	3201.0012.00		OIL INDICATOR	1	
34	1210.0333.00	D	O-RING 1,78X23,52 mm	1	
35	1210.0216.00	D	O-RING 2,62X107,62 mm	1	
36	0402.0169.00		CRANKCASE COVER	1	
37	3609.0030.00		SCREW M5X20	6	
38	3200.0007.00		CAP 3/8 GAS	1	
39	1210.0441.00	D	O-RING 2x14 mm	1	
40	3200.0007.00		CAP 3/8 GAS	1	
41	2811.0084.00		WASHER 16,7X22X1,5 mm	1	
42	3202.0015.00		CAP G1/2	1	
43	2811.0086.00		WASHER 21,2X27X1,5 mm	1	
73	0440.0012.00		ROLLER BEARING	2	
74	1210.0388.00	D	O-RING	1	
75	0402.0171.00		FLANGE	1	
76	3609.0032.00		SCREW M6X20	4	
85	1220.0030.00		VALVE ASS. BLY.	6	

S version

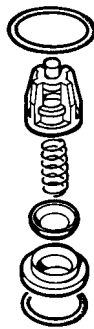
POS. ITEM	CODICE PART No.	KIT KIT	DESCRIZIONE DESCRIPTION	Q.tà Qty.	MODELLI MODELS
65	3609.0058.00		SCREW M8X22	4	
66	0402.0170.00		FLANGE	1	
67	0601.0218.00		SHIM Ø62 0,05 mm	1	
	0601.0220.00		SHIM Ø62 0,10 mm	1	
	0601.0222.00		SHIM Ø62 0,19 mm	1	
	0601.0259.00		SHIM Ø62 0,25 mm	1	
68	0019.0007.00	D	OIL SEAL 25X52X7 mm	1	
69	1210.0388.00	D	O-RING	1	
70	0440.0012.00		ROLLER BEARING	1	
71	1602.0013.00		KEY 8X7X30 mm	1	
72	0001.0323.00		CRANKSHAFT Ø24 mm	1	5522 S - 5526 S 5530 S
	0001.0324.00		CRANKSHAFT Ø24 mm	1	3525 S - 3530 S
	0001.0325.00		CRANKSHAFT Ø24 mm	1	4030 S - 5023 S 5030 S
	0001.0345.00		CRANKSHAFT Ø24 mm	1	3016 S

E version

POS. ITEM	CODICE PART No.	KIT KIT	DESCRIZIONE DESCRIPTION	Q.tà Qty.	MODELLI MODELS
77	3609.0058.00		SCREW M8X22	4	
78	3016.0015.00		FLANGE	1	
79	3607.0026.00		SCREW M8X25	4	
80	0601.0210.00		SHIM Ø68 0,05 mm	1	
	0601.0212.00		SHIM Ø68 0,10 mm	1	
	0601.0214.00		SHIM Ø68 0,19 mm	1	
	0601.0216.00		SHIM Ø68 0,25 mm	1	
81	0019.0052.00	D	OIL RING 40X52X7 mm	1	
82	1210.0109.00	D	O-RING 1,78X 63,22 mm	1	
83	0440.0011.00		ROLLER BEARING 40X68X19	1	
84	0001.0326.00		CRANKSHAFT Ø28 mm	1	3525 E - 3530 E
	0001.0328.00		CRANKSHAFT Ø28 mm	1	4030 E - 5023 E
	0001.0349.00		CRANKSHAFT Ø28 mm	1	5522 E

KIT VALVOLA ASP.-MAND. COMPLETE VALVE KIT 5025.0011.00

KIT A

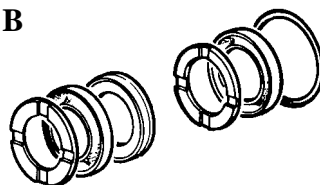


5025.0011.00

POS. ITEM	CODICE PART No.	Q.tà Qty.
4	1210.0046.00	6
5	3009.0087.00	6
6	3604.0017.00	6
7	1802.0177.00	6
8	1205.0025.00	6
9	1210.0048.00	6

KIT GUARNIZIONI PISTONE / PISTON SEAL KIT Ø 18 mm 5019.0038.00 - Ø 20 mm 5019.0039.00

KIT B



5019.0038.00

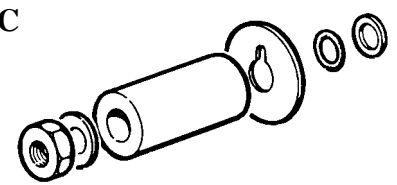
POS. ITEM	CODICE PART No.	Q.tà Qty.
11	0009.0199.00	3
12	1241.0026.00	3
13	0009.0100.00	3
15	0009.0199.00	3
16	1241.0026.00	3
18	1210.0156.00	3

5019.0039.00

POS. ITEM	CODICE PART No.	Q.tà Qty.
11	0009.0108.00	3
12	1241.0032.00	3
13	0009.0104.00	3
15	0009.0108.00	3
16	1241.0032.00	3
18	1210.0156.00	3

KIT PISTONE / PISTON KIT Ø 18 mm 2409.0073.00 - Ø 20 mm 2409.0074.00

KIT C



2409.0073.00

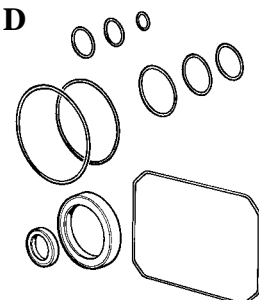
POS. ITEM	CODICE PART No.	Q.tà Qty.
20	0600.0054.00	3
21	2811.0082.00	3
22	0202.0022.00	3
23	2812.0042.00	3
24	1210.0039.00	3
25	0009.0170.00	3

2409.0074.00

POS. ITEM	CODICE PART No.	Q.tà Qty.
20	0600.0054.00	3
21	2811.0082.00	3
22	0202.0024.00	3
23	2812.0042.00	3
24	1210.0039.00	3
25	0009.0170.00	3

KIT GUARNIZIONI POMPA / SEAL KIT ALBERO MASCHIO / SOLID SHAFT 5019.0044.00 ALBERO FEMMINA / HOLLOW SHAFT 5019.0045.00

KIT D



5019.0044.00

POS. ITEM	CODICE PART No.	Q.tà Qty.
4	1210.0046.00	6
9	1210.0048.00	6
18	1210.0156.00	3
19	0019.0066.00	3
24	1210.0039.00	3
25	0009.0170.00	3
34	1210.0333.00	1
35	1210.0216.00	1
39	1210.0441.00	1
68	0019.0007.00	1
69	1210.0388.00	1
74	1210.0388.00	1

5019.0045.00

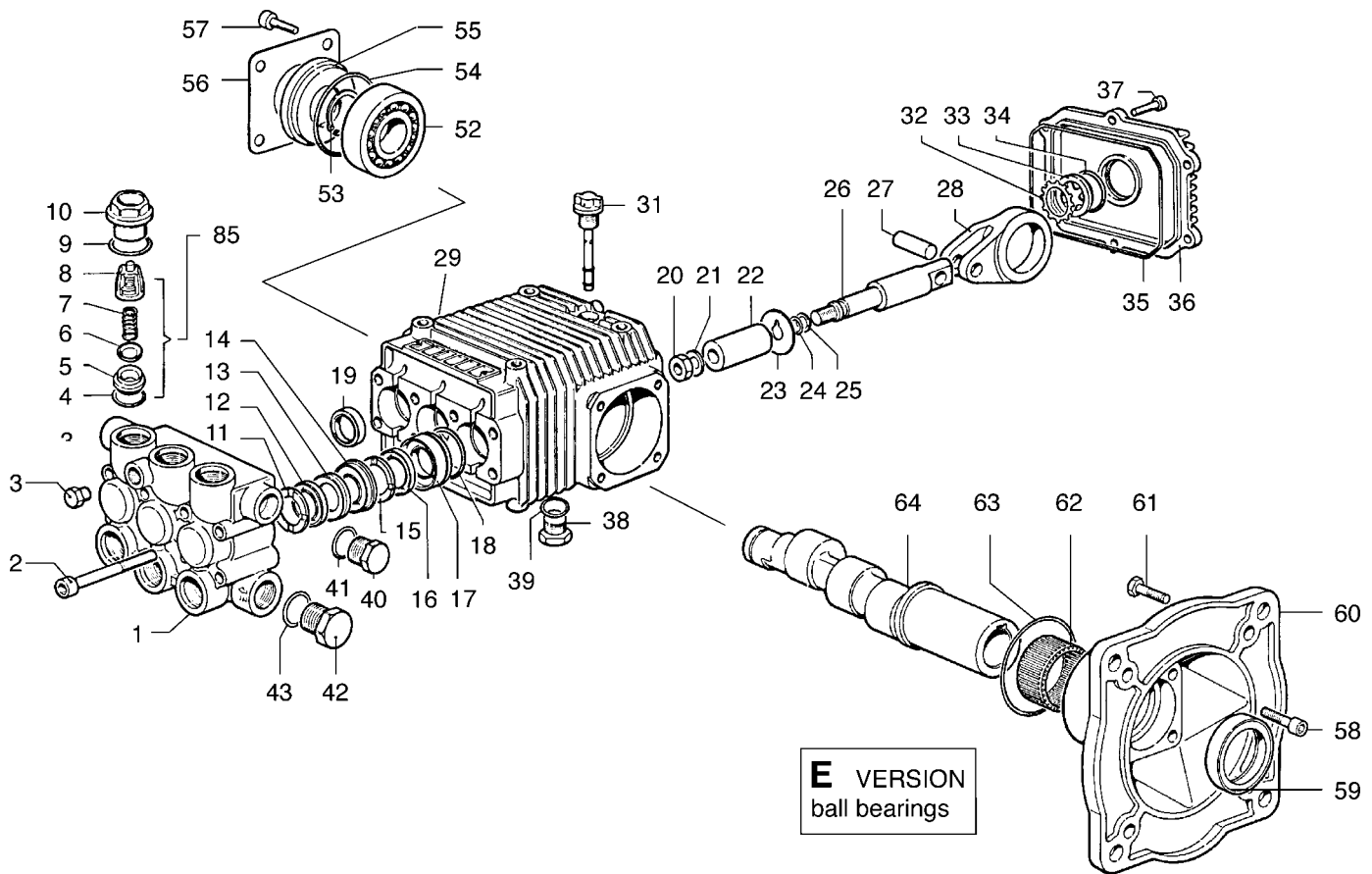
POS. ITEM	CODICE PART No.	Q.tà Qty.
4	1210.0046.00	6
9	1210.0048.00	6
18	1210.0156.00	3
19	0019.0066.00	3
24	1210.0039.00	3
25	0009.0170.00	3
34	1210.0333.00	1
35	1210.0216.00	1
39	1210.0441.00	1
74	1210.0388.00	1
81	0019.0052.00	1
82	1210.0109.00	1

**Altri KIT
Other KITS**

vedi pagine:
see pages:
54 - 55

FWS VERSION - CUSCINETTI A SFERE / BALL BEARINGS - 1750 RPM

SOLO PER MODELLI / ONLY FOR MODELS **3522 E - 4020 E**



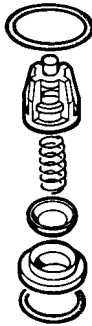
POS. ITEM	CODICE PART No.	KIT KIT	DESCRIZIONE DESCRIPTION	Q.tà Qty.	MODELLI MODELS
1	3218.0110.00		MANIFOLD Ø 18 mm	1	
2	3609.0039.00		SCREW M8X70	8	
3	3202.0112.00		CAP G1/4	1	
4	1210.0046.00	A-D	O-RING 2,62X 17,13 mm	6	
5	3009.0087.00	A	VALVE SEAT	6	
6	3604.0017.00	A	VALVE PLATE	6	
7	1802.0177.00	A	SPRING	6	
8	1205.0025.00	A	VALVE CAGE	6	
9	1210.0048.00	A-D	O-RING 2,62X 20,24 mm	6	
10	3202.0155.00		CAP	6	
11	0009.0199.00	B	HEAD RING Ø18 mm	3	
12	1241.0026.00	B	PACKING Ø 18 mm	3	
13	0009.0100.00	B	PACKING Ø18 mm	3	
14	0009.0200.00		INTERMED. RING Ø18 mm	3	
15	0009.0199.00	B	HEAD RING Ø18 mm	3	
16	1241.0026.00	B	PACKING Ø18 mm	3	
17	0009.0102.00		PACKING RETAINER Ø18mm	3	
18	1210.0156.00	B-D	O-RING 1,78X31,47 mm	3	
19	0019.0066.00	D	OIL SEAL 20X30X5 mm	3	
20	0600.0054.00	C	NUT	3	
21	2811.0082.00	C	WASHER 8,2X17X1,5 mm	3	
22	0202.0022.00	C	BUSH Ø18 mm	3	
23	2812.0042.00	C	WASHER	3	
24	1210.0039.00	C-D	O-RING 1,78X 7,66 mm	3	
25	0009.0170.00	C-D	ANTI-EXTR. RING	3	
26	2409.0048.00		PISTON GUIDES	3	
27	3011.0016.00		WRIST. PIN Ø10X29 mm	3	
28	0205.0046.00		CON. ROD	3	
29	0403.0130.00		CRANKCASE	1	

POS. ITEM	CODICE PART No.	KIT KIT	DESCRIZIONE DESCRIPTION	Q.tà Qty.	MODELLI MODELS
31	3200.0051.00		OIL DIPSTICK	1	
32	3019.0033.00		SNAP RING Ø18 mm	1	
33	3201.0012.00		OIL INDICATOR	1	
34	1210.0333.00	D	O-RING 1,78X23,52 mm	1	
35	1210.0216.00	D	O-RING 2,62X107,62 mm	1	
36	0402.0169.00		CRANKCASE COVER	1	
37	3609.0030.00		SCREW M5X20	6	
38	3200.0007.00		CAP 3/8 GAS	1	
39	1210.0441.00	D	O-RING 2X14 mm	1	
40	3200.0007.00		CAP 3/8 GAS	1	
41	2811.0084.00		WASHER 16,7X22X1,5 mm	1	
42	3202.0015.00		CAP G1/2	1	
43	2811.0086.00		WASHER 21,2X27X1,5 mm	1	
52	0438.0071.00		BALL BEARING 25X62X17mm	1	
53	3019.0006.00		SNAP RING C72	1	
54	1210.0387.00	D	O-RING 2,62X63,17 mm	1	
55	0402.0176.00		SPACER	1	
56	1004.0015.00		CRANKCASE COVER	1	
57	3609.0068.00		SCREW M6X12	4	
58	3609.0058.00		SCREW M8X22	4	
59	0019.0052.00	D	OIL SEAL 40X52X7 mm	1	
60	3016.0019.00		FLANGE	1	
61	3607.0201.00		SCREW 1/2" - 13	4	
62	0437.0027.00		NEEDLE 40X47X20 mm	1	
63	1210.0150.00	D	O-RING 3,53X55,56 mm	1	
64	0001.0356.00		CRANKSHAFT 1"1/8"	1	4022 E
	0001.0355.00		CRANKSHAFT 1"1/8"	1	3522 E
85	1220.0030.00		VALVE ASS. BLY.	6	

FWS VERSION - CUSCINETTI A SFERE / BALL BEARINGS - 1750 RPM

KIT VALVOLA ASP-MAND. COMPLETE VALVE KIT 5025.0011.00

KIT A

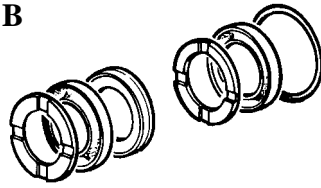


5025.0011.00

POS. ITEM	CODICE PART No.	Q.tà Qty.
4	1210.0046.00	6
5	3009.0087.00	6
6	3604.0017.00	6
7	1802.0177.00	6
8	1205.0025.00	6
9	1210.0048.00	6

KIT GUARNIZIONI PISTONE / PISTON SEAL KIT Ø 18 mm 5019.0038.00

KIT B

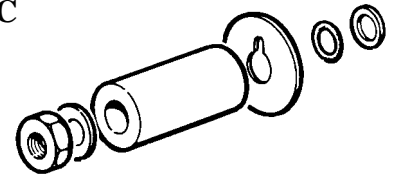


5019.0038.00

POS. ITEM	CODICE PART No.	Q.tà Qty.
11	0009.0199.00	3
12	1241.0026.00	3
13	0009.0100.00	3
15	0009.0199.00	3
16	1241.0026.00	3
18	1210.0156.00	3

KIT PISTONE / PISTON KIT Ø 18 mm 2409.0073.00

KIT C

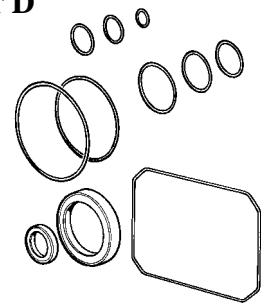


2409.0073.00

POS. ITEM	CODICE PART No.	Q.tà Qty.
20	0600.0054.00	3
21	2811.0082.00	3
22	0202.0022.00	3
23	2812.0042.00	3
24	1210.0039.00	3
25	0009.0170.00	3

KIT GUARNIZIONI POMPA / SEAL KIT ALBERO FEMMINA / HOLLOW SHAFT 5019.0043.00

KIT D



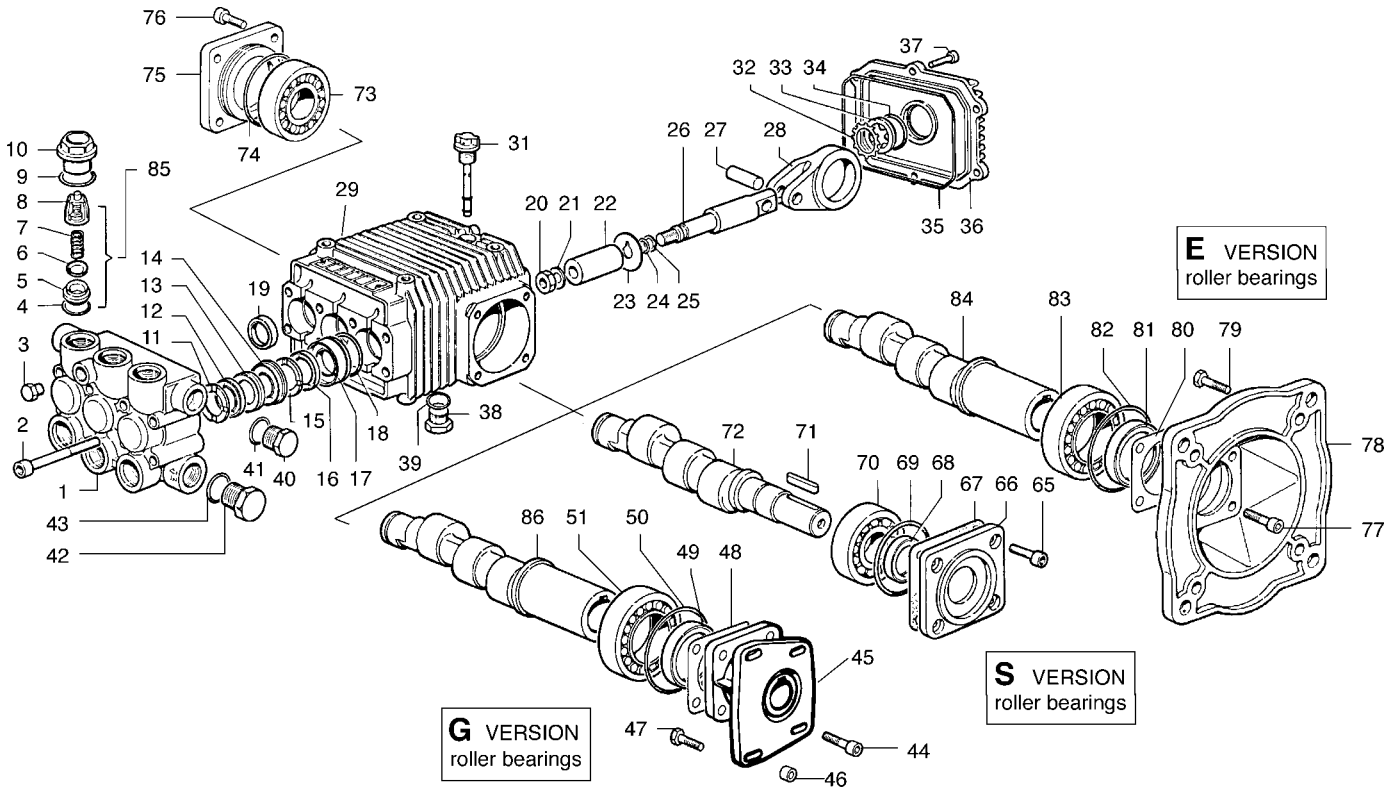
5019.0043.00

POS. ITEM	CODICE PART No.	Q.tà Qty.
4	1210.0046.00	6
9	1210.0048.00	6
18	1210.0156.00	3
19	0019.0066.00	3
24	1210.0039.00	3
25	0009.0170.00	3
34	1210.0333.00	1
35	1210.0216.00	1
39	1210.0441.00	1
54	1210.0387.00	1
59	0019.0052.00	1
63	1210.0150.00	1

Altri KIT
Other KITS

vedi pagine:
see pages:
54 - 55

FWS VERSION - CUSCINETTI A RULLI / ROLLER BEARINGS - 1750 RPM



POS. ITEM	CODICE PART No.	KIT KIT	DESCRIZIONE DESCRIPTION	Q.tà Qty.	MODELLI MODELS
1	3218.0109.00		MANIFOLD Ø 20 mm	1	5520 S - 5525 S 6020 S - 5530 E
	3218.0110.00		MANIFOLD Ø 18 mm	1	3530 S - 3530 E 4030 S - 4030 E 4030 G - 4525 S 4530 S - 4530 E
2	3609.0039.00		SCREW M8X70	8	
3	3202.0112.00		CAP G1/4"	1	
4	1210.0046.00	A-D	O-RING 2,62X 17,13 mm	6	
5	3009.0087.00	A	VALVE SEAT	6	
6	3604.0017.00	A	VALVE PLATE	6	
7	1802.0177.00	A	SPRING	6	
8	1205.0025.00	A	VALVE CAGE	6	
9	1210.0048.00	A-D	O-RING 2,62X 20,24 mm	6	
10	3202.0155.00		CAP	6	
11	0009.0108.00	B	HEAD RING Ø20 mm	3	5520 S - 5525 S 6020 S - 5530 E
	0009.0199.00	B	HEAD RING Ø18 mm	3	3530 S - 3530 E 4030 S - 4030 E 4030 G - 4525 S 4530 S - 4530 E
12	1241.0032.00	B	PACKING Ø 20 mm	3	5520 S - 5525 S 6020 S - 5530 E
	1241.0026.00	B	PACKING Ø 18 mm	3	3530 S - 3530 E 4030 S - 4030 E 4030 G - 4525 S 4530 S - 4530 E
13	0009.0100.00	B	PACKING Ø18 mm	3	3530 S - 3530 E 4030 S - 4030 E 4030 G - 4525 S 4530 S - 4530 E
	0009.0104.00	B	PACKING Ø20 mm	3	5520 S - 5525 S 6020 S - 5530 E
14	0009.0114.00		INTERMED. RING Ø 20 mm	3	5520 S - 5525 S 6020 S - 5530 E
	0009.0200.00		INTERMED. RING Ø 18 mm	3	3530 S - 3530 E 4030 S - 4030 E 4030 G - 4525 S 4530 S - 4530 E
15	0009.0108.00	B	HEAD RING Ø 20 mm	3	5520 S - 5525 S 6020 S - 5530 E
	0009.0199.00	B	HEAD RING Ø 18 mm	3	3530 S - 3530 E 4030 S - 4030 E 4030 G - 4525 S 4530 S - 4530 E
16	1241.0032.00	B	PACKING Ø 20 mm	3	5520 S - 5525 S 6020 S - 5530 E
	1241.0026.00	B	PACKING Ø 18 mm	3	3530 S - 3530 E 4030 S - 4030 E 4030 G - 4525 S 4530 S - 4530 E

POS. ITEM	CODICE PART No.	KIT KIT	DESCRIZIONE DESCRIPTION	Q.tà Qty.	MODELLI MODELS
17	0009.0102.00		PACKING RETAINER Ø18 mm	3	3530 S - 3530 E 4030 S - 4030 E 4030 G - 4525 S 4530 S - 4530 E
	0009.0106.00		PACKING RETAINER Ø20 mm	3	5520 S - 5525 S 6020 S - 5530 E
18	1210.0156.00	B-D	O-RING 1,78X31,47 mm	3	
19	0019.0066.00	D	OIL SEAL 20X30X5 mm	3	
20	0600.0054.00	C	NUT	3	
21	2811.0082.00	C	WASHER 8,2X17X1,5 mm	3	
22	0202.0022.00	C	PISTON Ø18 mm	3	3530 S - 3530 E 4030 S - 4030 E 4030 G - 4525 S 4530 S - 4530 E
	0202.0024.00	C	PISTON Ø20 mm	3	5520 S - 5525 S 6020 S - 5530 E
23	2812.0042.00	C	WASHER	3	
24	1210.0039.00	C-D	O-RING 1,78X 7,66 mm	3	
25	0009.0170.00	C-D	ANTI-EXTR. RING	3	
26	2409.0048.00		PISTON GUIDES	3	
27	3011.0016.00		WRIST. PIN Ø10X29 mm	3	
28	0205.0044.00		CON. ROD	3	
29	0403.0129.00		CRANKCASE	1	3530 S - 4030 S 4525 S - 4530 S 5520 S - 5525 S 6020 S
	0403.0130.00		CRANKCASE	1	3530 E - 4030 E 4030 G - 4530 E 5530 E
31	3200.0051.00		OIL DIPSTICK	1	
32	3019.0033.00		SNAP RING Ø18 mm	1	
33	3201.0012.00		OIL INDICATOR	1	
34	1210.0333.00	D	O-RING 1,78X23,52 mm	1	
35	1210.0216.00	D	O-RING 2,62X107,62 mm	1	
36	0402.0169.00		CRANKCASE COVER	1	
37	3609.0030.00		SCREW M5X20	6	
38	3200.0007.00		CAP 3/8 GAS	1	
39	1210.0093.00	D	O-RING 1,78X 14 mm	1	
40	3200.0007.00		CAP 3/8 GAS	1	
41	2811.0084.00		WASHER 16,7X22X1,5 mm	1	
42	3202.0015.00		CAP G1/2	1	
43	2811.0086.00		WASHER 21,2X27X1,5 mm	1	
44	0440.0012.00		ROLLER BEARING	1	
45	1210.0388.00	D	O-RING	1	
46	0402.0171.00		FLANGE	1	
47	3609.0032.00		SCREW M6X20	4	
48	1220.0030.00		VALVE ASS. BLY.	6	

FWS VERSION - CUSCINETTI A RULLI / *ROLLER BEARINGS* - 1750 RPM

S version

POS. ITEM	CODICE PART No.	KIT KIT	DESCRIZIONE DESCRIPTION	Q.tà Qty.	MODELLI MODELS
65	3609.0058.00		SCREW M8X22	4	
66	0402.0170.00		FLANGE	1	
67	0601.0218.00		SHIM Ø62 0,05 mm	1	
	0601.0220.00		SHIM Ø62 0,10 mm	1	
	0601.0222.00		SHIM Ø62 0,19 mm	1	
	0601.0259.00		SHIM Ø62 0,25 mm	1	
68	0019.0007.00	D	OIL SEAL 25X52X7 mm	1	
69	1210.0388.00	D	O-RING	1	
70	0440.0012.00		ROLLER BEARING	1	
71	1602.0013.00		KEY 8X7X30 mm	1	
72	0001.0324.00		CRANKSHAFT Ø24 mm	1	4030 S
	0001.0325.00		CRANKSHAFT Ø24 mm	1	6020 S
	0001.0345.00		CRANKSHAFT Ø24 mm	1	3530 S
	0001.0346.00		CRANKSHAFT Ø24 mm	1	4525 S - 4530 S 5520 S - 5525 S

E version

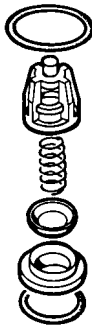
POS. ITEM	CODICE PART No.	KIT KIT	DESCRIZIONE DESCRIPTION	Q.tà Qty.	MODELLI MODELS
77	3609.0058.00		SCREW M8X22	4	
78	3016.0017.00		FLANGE	1	
79	3607.0201.00		SCREW 1/2"-13	4	
80	0601.0210.00		SHIM Ø68 0,05 mm	1	
	0601.0212.00		SHIM Ø68 0,10 mm	1	
	0601.0214.00		SHIM Ø68 0,19 mm	1	
	0601.0216.00		SHIM Ø68 0,25 mm	1	
81	0019.0052.00	D	OIL SEAL 40X52X7 mm	1	
82	1210.0109.00	D	O-RING 1,78X 63,22 mm	1	
83	0440.0011.00		ROLLER BEARING 40X68X19	1	
84	0001.0355.00		CRANKSHAFT 1"1/8"	1	3530 E
	0001.0356.00		CRANKSHAFT 1"1/8"	1	4030 E
	0001.0357.00		CRANKSHAFT 1"1/8"	1	4530 E -5530 E

G version solo / only FWS 4030

POS. ITEM	CODICE PART No.	KIT KIT	DESCRIZIONE DESCRIPTION	Q.tà Qty.	MODELLI MODELS
44	3609.0058.00		SCREW M8X22	4	
45	3016.0022.00		FLANGE	1	
46	0601.0270.00		SPACER Ø18X9X4,8 mm	2	
47	3609.0058.00		SCREW M8X22	4	
48	0601.0210.00		SHIM Ø68 0,05 mm	1	
	0601.0212.00		SHIM Ø68 0,10 mm	1	
	0601.0214.00		SHIM Ø68 0,19 mm	1	
	0601.0216.00		SHIM Ø68 0,25 mm	1	
49	0019.0052.00	D	OIL SEAL 40X52X7 mm	1	
50	1210.0109.00	D	O-RING 1,78X 63,22 mm	1	
51	0440.0011.00		ROLLER BEARING 40X68X19	1	
86	0001.0380.00		CRANKSHAFT Ø25 mm	1	

KIT VALVOLA ASP.-MAND. COMPLETE VALVE KIT 5025.0011.00

KIT A

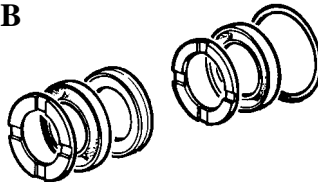


5025.0011.00

POS. ITEM	CODICE PART No.	Q.tà Qty.
4	1210.0046.00	6
5	3009.0087.00	6
6	3604.0017.00	6
7	1802.0177.00	6
8	1205.0025.00	6
9	1210.0048.00	6

KIT GUARNIZIONI PISTONE / PISTON SEAL KIT Ø 18 mm 5019.0038.00 - Ø 20 mm 5019.0039.00

KIT B



5019.0038.00

POS. ITEM	CODICE PART No.	Q.tà Qty.
11	0009.0199.00	3
12	1241.0026.00	3
13	0009.0100.00	3
15	0009.0199.00	3
16	1241.0026.00	3
18	1210.0156.00	3

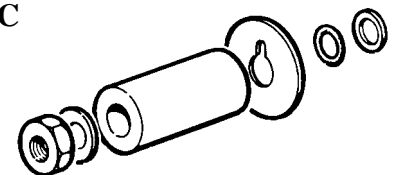
5019.0039.00

POS. ITEM	CODICE PART No.	Q.tà Qty.
11	0009.0108.00	3
12	1241.0032.00	3
13	0009.0104.00	3
15	0009.0108.00	3
16	1241.0032.00	3
18	1210.0156.00	3

KIT PISTONE / PISTON KIT

Ø 18 mm 2409.0073.00 - Ø 20 mm 2409.0074.00

KIT C



2409.0073.00

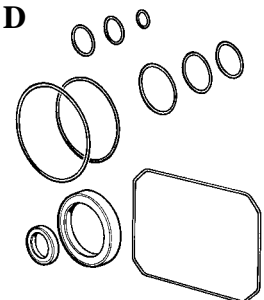
POS. ITEM	CODICE PART No.	Q.tà Qty.
20	0600.0054.00	3
21	2811.0082.00	3
22	0202.0022.00	3
23	2812.0042.00	3
24	1210.0039.00	3
25	0009.0170.00	3

2409.0074.00

POS. ITEM	CODICE PART No.	Q.tà Qty.
20	0600.0054.00	3
21	2811.0082.00	3
22	0202.0024.00	3
23	2812.0042.00	3
24	1210.0039.00	3
25	0009.0170.00	3

KIT GUARNIZIONI POMPA / SEAL KIT ALBERO MASCHIO / SOLID SHAFT 5019.0044.00 ALBERO FEMMINA / HOLLOW SHAFT 5019.0045.00

KIT D



5019.0044.00

POS. ITEM	CODICE PART No.	Q.tà Qty.
4	1210.0046.00	6
9	1210.0048.00	6
18	1210.0156.00	3
19	0019.0066.00	3
24	1210.0039.00	3
25	0009.0170.00	3
34	1210.0333.00	1
35	1210.0216.00	1
39	1210.0441.00	1
68	0019.0007.00	1
69	1210.0388.00	1
74	1210.0388.00	1

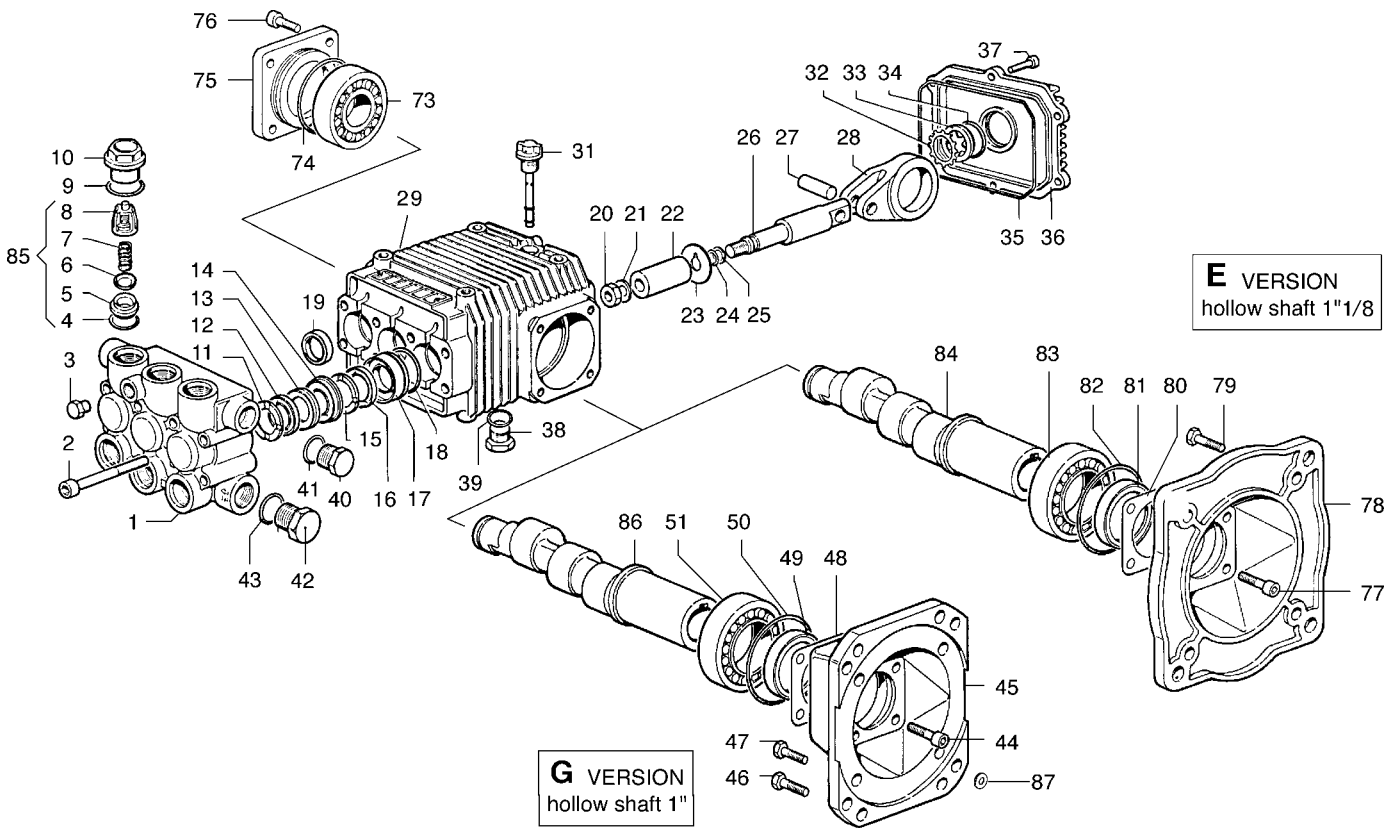
5019.0045.00

POS. ITEM	CODICE PART No.	Q.tà Qty.
4	1210.0046.00	6
9	1210.0048.00	6
18	1210.0156.00	3
19	0019.0066.00	3
24	1210.0039.00	3
25	0009.0170.00	3
34	1210.0333.00	1
35	1210.0216.00	1
39	1210.0441.00	1
74	1210.0388.00	1
81	0019.0052.00	1
82	1210.0109.00	1

Altri KIT
Other KITS

vedi pagine:
see pages:
54 - 55

FWD VERSION - 3400 RPM



POS. ITEM	CODICE PART No.	KIT KIT	DESCRIZIONE DESCRIPTION	Q.tà Qty.	MODELLI MODELS
1	3218.0110.00		MANIFOLD Ø18 mm	1	
2	3609.0039.00		SCREW M8X70	8	
3	3202.0112.00		CAP 1/4"	1	
4	1210.0046.00	A-D	O-RING 2,62X 17,13 mm	6	
5	3009.0087.00	A	VALVE SEAT	6	
6	3604.0017.00	A	VALVE PLATE	6	
7	1802.0177.00	A	SPRING	6	
8	1205.0025.00	A	VALVE CAGE	6	
9	1210.0048.00	A-D	O-RING 2,62X 20,24 mm	6	
10	3202.0155.00		CAP	6	
11	0009.0199.00	B	HEAD RING Ø18 mm	3	
12	1241.0026.00	B	PACKING 18÷32 mm	3	
13	0009.0100.00	B	PACKING Ø18 mm	3	
14	0009.0200.00		INTERMED. RING Ø18 mm	3	
15	0009.0199.00	B	HEAD RING Ø18 mm	3	
16	1241.0026.00	B	PACKING 18÷32 mm	3	
17	0009.0102.00		PACKING RETAINER Ø18 mm	3	
18	1210.0156.00	B-D	O-RING 1,78X31,47 mm	3	
19	0019.0066.00	D	OIL SEAL 20X30X5 mm	3	
20	0600.0054.00	C	NUT	3	
21	2811.0082.00	C	WASHER 8,2X17X1,5 mm	3	
22	0202.0022.00	C	PISTON Ø18 mm	3	
23	2812.0042.00	C	WASHER	3	
24	1210.0039.00	C-D	O-RING 1,78X 7,66 mm	3	

POS. ITEM	CODICE PART No.	KIT KIT	DESCRIZIONE DESCRIPTION	Q.tà Qty.	MODELLI MODELS
25	0009.0170.00	C-D	ANTI-EXTR. RING	3	
26	2409.0048.00		PISTON GUIDES	3	
27	3011.0016.00		WRIST. PIN Ø10X29 mm	3	
28	0205.0044.00		CON. ROD	3	
29	0403.0130.00		CRANKCASE	1	
31	3200.0051.00		OIL DIPSTICK	1	
32	3019.0033.00		SNAP RING Ø18 mm	1	
33	3201.0012.00		OIL INDICATOR	1	
34	1210.0333.00	D	O-RING 1,78X23,52 mm	1	
35	1210.0216.00	D	O-RING 2,62X107,62 mm	1	
36	0402.0169.00		CRANKCASE COVER	1	
37	3609.0030.00		SCREW M5X20	6	
38	3200.0007.00		CAP 3/8 GAS	2	
39	1210.0093.00	D	O-RING 1,78X 14 mm	1	
40	3200.0007.00		CAP 3/8 GAS	2	
41	2811.0084.00		WASHER 16,7X22X1,5 mm	1	
42	3202.0015.00		CAP G1/2	1	
43	2811.0086.00		WASHER 21,2X27X1,5 mm	1	
44	0440.0012.00		ROLLER BEARING	1	
45	1210.0388.00	D	O-RING	1	
46	0402.0171.00		FLANGE	1	
47	3609.0032.00		SCREW M6X20	4	
48	1220.0030.00		VALVE ASS.BLY	6	

FWD VERSION - 3400 RPM

G version (albero femmina / hollow shaft 1")

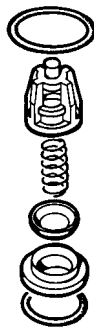
POS. ITEM	CODICE PART No.	KIT KIT	DESCRIZIONE DESCRIPTION	Q.tà Qty.	MODELLI MODELS
44	3609.0058.00		SCREW M8X22	4	
45	3016.0013.00		FLANGE	1	
46	3607.0168.00		SCREW 3/8"16X1"	4	
47	3607.0119.00		SCREW 5/16"24X1"	4	
48	0601.0210.00		SHIM Ø68 0,05 mm	1	
	0601.0212.00		SHIM Ø68 0,10 mm	1	
	0601.0214.00		SHIM Ø68 0,19 mm	1	
	0601.0216.00		SHIM Ø68 0,25 mm	1	
49	0019.0052.00	D	OIL SEAL 40X52X7 mm	1	
50	1210.0109.00	D	O-RING 1,78X 63,22 mm	1	
51	0440.0011.00		ROLLER BEARING 40X68X19	1	
86	0001.0329.00		CRANKSHAFT 1"	1	4020 G - 4030 G
	0001.0330.00		CRANKSHAFT 1"	1	4517 G - 4525 G 4530 G
	0001.0350.00		CRANKSHAFT 1"	1	3522 G - 3530 G
	0001.0351.00		CRANKSHAFT 1"	1	5513 G
87	2811.0098.00		WASHER 10,5X18X2 mm	4	

E version (albero femmina / hollow shaft 1" 1/8)

POS. ITEM	CODICE PART No.	KIT KIT	DESCRIZIONE DESCRIPTION	Q.tà Qty.	MODELLI MODELS
77	3609.0058.00		SCREW M8X22	4	
78	3016.0017.00		FLANGE	1	
79	3607.0201.00		SCREW 1/2"-13	4	
80	0601.0210.00		SPACER Ø68 mm	1	
	0601.0212.00		SPACER Ø68 mm	1	
	0601.0214.00		SPACER Ø68 mm	1	
	0601.0216.00		SPACER Ø68 mm	1	
81	0019.0052.00	D	OIL SEAL 40X52X7 mm	1	
82	1210.0109.00	D	O-RING 1,78X 63,22 mm	1	
83	0440.0011.00		ROLLER BEARING	1	
84	0001.0354.00		CRANKSHAFT 1"1/8"	1	4020 E - 4030 E
	0001.0364.00		CRANKSHAFT 1"1/8"	1	3522 E - 3530 E
	0001.0392.00		CRANKSHAFT 1"1/8"	1	4530 E

KIT VALVOLA ASP.-MAND. COMPLETE VALVE KIT 5025.0011.00

KIT A

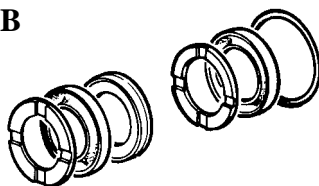


5025.0011.00

POS. ITEM	CODICE PART No.	Q.tà Qty.
4	1210.0046.00	6
5	3009.0087.00	6
6	3604.0017.00	6
7	1802.0177.00	6
8	1205.0025.00	6
9	1210.0048.00	6

KIT GUARNIZIONI PISTONE / PISTON SEAL KIT Ø 18 mm 5019.0038.00

KIT B

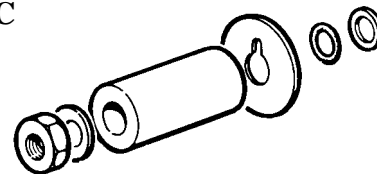


5019.0038.00

POS. ITEM	CODICE PART No.	Q.tà Qty.
11	0009.0199.00	3
12	1241.0026.00	3
13	0009.0100.00	3
15	0009.0199.00	3
16	1241.0026.00	3
18	1210.0156.00	3

KIT PISTONE / PISTON KIT Ø 18 mm 2409.0073.00

KIT C

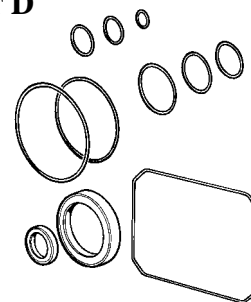


2409.0073.00

POS. ITEM	CODICE PART No.	Q.tà Qty.
20	0600.0054.00	3
21	2811.0082.00	3
22	0202.0022.00	3
23	2812.0042.00	3
24	1210.0039.00	3
25	0009.0170.00	3

KIT GUARNIZIONI POMPA / SEAL KIT ALBERO FEMMINA / HOLLOW SHAFT 5019.0045.00

KIT D



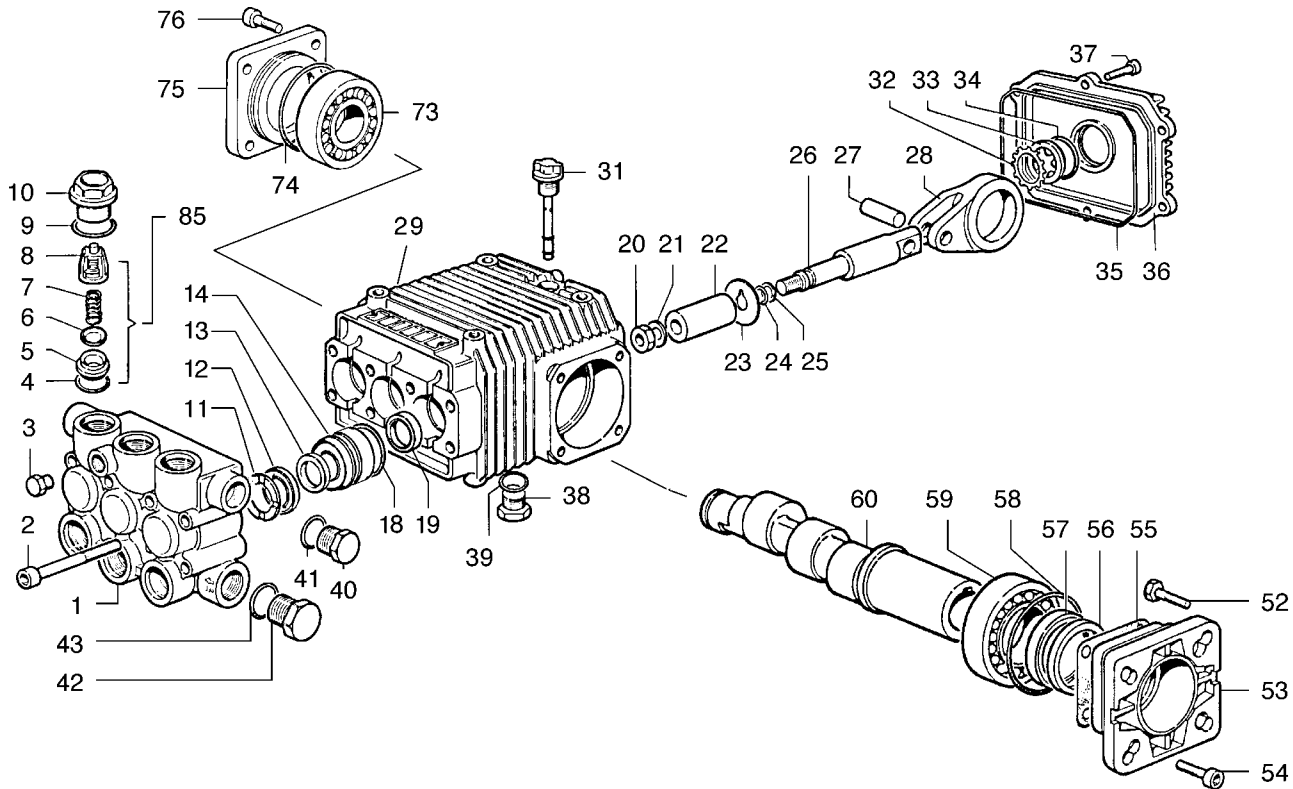
5019.0045.00

POS. ITEM	CODICE PART No.	Q.tà Qty.
4	1210.0046.00	6
9	1210.0048.00	6
18	1210.0156.00	3
19	0019.0066.00	3
24	1210.0039.00	3
25	0009.0170.00	3
34	1210.0333.00	1
35	1210.0216.00	1
39	1210.0093.00	1
74	1210.0388.00	1
49-81	0019.0052.00	1
50-82	1210.0109.00	1

Altri KIT
Other KITS

vedi pagine:
see pages:
54 - 55

FWD VERSION - ALBERO FEMMINA / HOLLOW SHAFT 3/4" - 3400 RPM



G VERSION
hollow shaft 3/4"

G version solo / only 5513 (albero femmina / hollow shaft 3/4")

POS. ITEM	CODICE PART No.	KIT KIT	DESCRIZIONE DESCRIPTION	Q.tà Qty.	MODELLI MODELS
1	3218.0110.00		MANIFOLD Ø 18 mm	1	
2	3609.0039.00		SCREW M8X70	8	
3	3202.0112.00		CAP 1/4"	1	
4	1210.0046.00	A-D	O-RING 2,62X 17,13 mm	6	
5	3009.0087.00	A	VALVE SEAT	6	
6	3604.0017.00	A	VALVE PLATE	6	
7	1802.0177.00	A	SPRING	6	
8	1205.0025.00	A	VALVE CAGE	6	
9	1210.0048.00	A-D	O-RING 2,62X 20,24 mm	6	
10	3202.0155.00		CAP	6	
11	0009.0199.00	B	HEAD RING Ø18 mm	3	
12	1241.0038.00	B	PACKING Ø18 mm	3	
13	1241.0028.00	B	PACKING Ø18 mm	3	
14	0009.0231.00		PACKING RETAINER Ø18 mm	3	
18	1210.0156.00	B-D	O-RING 1,78X31,47 mm	3	
19	0019.0066.00	D	OIL SEAL 20X30X5 mm	3	
20	0600.0054.00	C	NUT	3	
21	2811.0082.00	C	WASHER 8,2X17X1,5 mm	3	
22	0202.0022.00	C	PISTON Ø18 mm	3	
23	2812.0042.00	C	WASHER	3	
24	1210.0039.00	C-D	O-RING 1,78X 7,66 mm	3	
25	0009.0170.00	C-D	ANTI-EXTR. RING	3	
26	2409.0048.00		PISTON GUIDES	3	
27	3011.0016.00		WRIST. PIN Ø10X29 mm	3	
28	0205.0044.00		CON. ROD	3	
29	0403.0129.00		CRANKCASE	1	

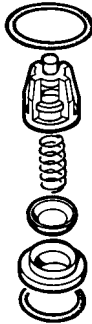
G version solo / only 5513 (albero femmina / hollow shaft 3/4")

POS. ITEM	CODICE PART No.	KIT KIT	DESCRIZIONE DESCRIPTION	Q.tà Qty.	MODELLI MODELS
31	3200.0051.00		OIL DIPSTICK	1	
32	3019.0033.00		SNAP RING Ø18 mm	1	
33	3201.0012.00		OIL INDICATOR	1	
34	1210.0333.00	D	O-RING 1,78X23,52 mm	1	
35	1210.0216.00	D	O-RING 2,62X107,62 mm	1	
36	0402.0169.00		CRANKCASE COVER	1	
37	3609.0030.00		SCREW M5X20	6	
38	3200.0007.00		CAP 3/8 GAS	2	
39	1210.0441.00	D	O-RING 1,78X 14 mm	1	
40	3200.0007.00		CAP 3/8 GAS	2	
41	2811.0084.00		WASHER 16,7X22X1,5 mm	1	
42	3202.0015.00		CAP G1/2	1	
43	2811.0086.00		WASHER 21,2X27X1,5 mm	1	
52	3607.0199.00		SCREW 5/16"24X3/4"	4	
53	3016.0020.00		FLANGE	1	
54	3609.0032.00		SCREW M6X20	4	
55	0601.0218.00		SHIM Ø62 0,05 mm	1	
	0601.0220.00		SHIM Ø62 0,10 mm	1	
	0601.0222.00		SHIM Ø62 0,19 mm	1	
	0601.0259.00		SHIM Ø62 0,25 mm	1	
56	0019.0096.00	D	OIL SEAL 35X52X7 mm	1	
57	0601.0262.00		SPACER	1	
58	1210.0388.00	D	O-RING	1	
59	0440.0018.00		ROLLER BEARING	1	
60	0001.0371.00		CRANKSHAFT 3/4"	1	

FWD VERSION - ALBERO FEMMINA / HOLLOW SHAFT 3/4" - 3400 RPM

KIT VALVOLA ASP.-MAND.
COMPLETE VALVE KIT
5025.0011.00

KIT A

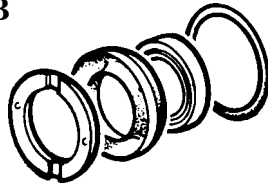


5025.0011.00

POS. ITEM	CODICE PART No.	Q.tà Qty.
4	1210.0046.00	6
5	3009.0087.00	6
6	3604.0017.00	6
7	1802.0177.00	6
8	1205.0025.00	6
9	1210.0048.00	6

KIT GUARNIZIONI PISTONE / PISTON SEAL KIT
Ø 18 mm 5019.0067.00

KIT B

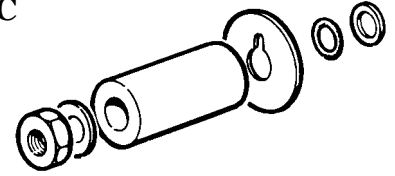


5019.0067.00

POS. ITEM	CODICE PART No.	Q.tà Qty.
11	0009.0199.00	3
12	1241.0038.00	3
13	1241.0028.00	3
18	1210.0156.00	3

KIT PISTONE / PISTON KIT
Ø 18 mm 2409.0073.00

KIT C

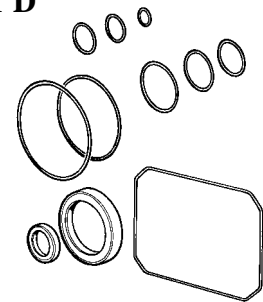


2409.0073.00

POS. ITEM	CODICE PART No.	Q.tà Qty.
20	0600.0054.00	3
21	2811.0082.00	3
22	0202.0022.00	3
23	2812.0042.00	3
24	1210.0039.00	3
25	0009.0170.00	3

KIT GUARNIZIONI POMPA / SEAL KIT
ALBERO FEMMINA / HOLLOW SHAFT 5019.0058.00

KIT D



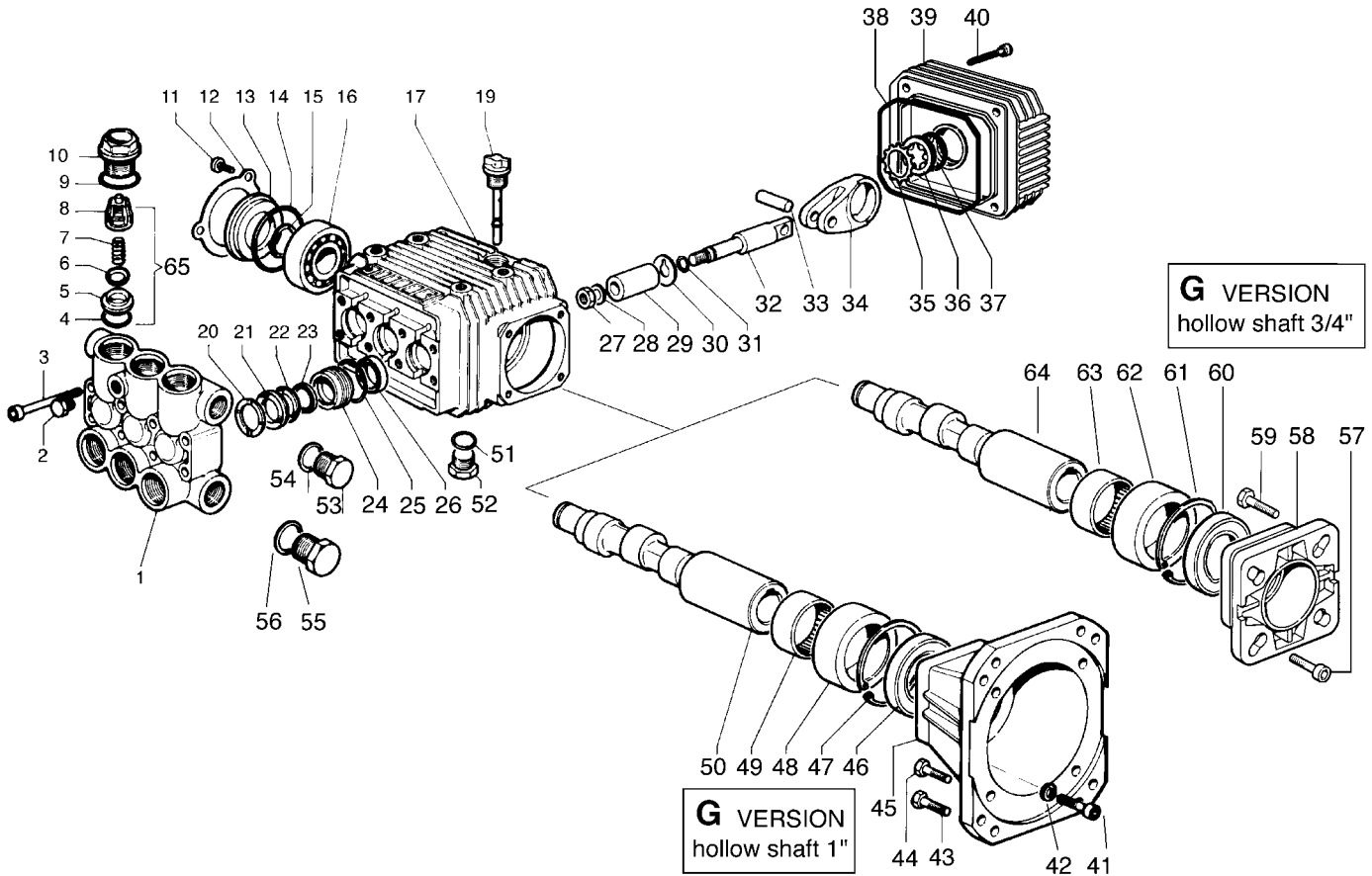
5019.0058.00

POS. ITEM	CODICE PART No.	Q.tà Qty.
4	1210.0046.00	6
9	1210.0048.00	6
18	1210.0156.00	3
19	0019.0066.00	3
24	1210.0039.00	3
25	0009.0170.00	3
34	1210.0333.00	1
35	1210.0216.00	1
39	1210.0441.00	1
56	0019.0096.00	1
74	1210.0221.00	1
58	1210.0388.00	1

Altri KIT
Other KITS

vedi pagine:
see pages:
54 - 55

ZWD VERSION - 3400 RPM



POS. ITEM	CODICE PART No.	KIT KIT	DESCRIZIONE DESCRIPTION	Q.tà Qty.	MODELLI MODELS
1	3218.0126.00		MANIFOLD Ø 15 BRASS	1	2530 G - 3030 G 3522 G - 3525 G 3530 G - 4020 G 4030 G
	3218.0127.00		MANIFOLD Ø 15 BRASS	1	3540 G - 4040 G
2	3202.0018.00		CAP G1/8	1	
3	3609.0152.00		SCREW M6X55	8	2530 G - 3030 G 3522 G - 3525 G 3530 G - 4020 G 4030 G
	3609.0156.00		SCREW M8X55	8	3540 G - 4040 G
4	1210.0046.00	A-D	O-RING 2,62X 17,13 mm	6	
5	3009.0087.00	A	VALVE SEAT	6	
6	3604.0017.00	A	VALVE PLATE	6	
7	1802.0177.00	A	SPRING	6	
8	1205.0025.00	A	VALVE GUIDE	6	
9	1210.0048.00	A-D	O-RING 2,62X 20,24 mm	6	
10	3202.0239.00		CAP	6	
11	3609.0088.00		SCREW M5X10	3	
12	1004.0012.00		CRANKCASE COVER	1	
13	0402.0172.00		SPACER	1	
14	1210.0386.00	D	O-RING 3,53X44,04 mm	1	
15	3019.0011.00		SNAP RING	1	
16	0438.0069.00		BALL BEARING 20X52X15 mm	1	
17	0403.0128.00		CRANKCASE	1	2530 G - 3030 G 3522 G - 3525 G 3530 G - 4020 G 4030 G
	0403.0141.00		CRANKCASE	1	3540 G - 4040 G
19	3200.0051.00		OIL DIPSTICK	1	

POS. ITEM	CODICE PART No.	KIT KIT	DESCRIZIONE DESCRIPTION	Q.tà Qty.	MODELLI MODELS
20	0009.0196.00	B	HEAD RING Ø15 mm	3	
21	1241.0034.00	B	PACKING Ø15 mm	3	
22	0009.0223.00	B	RING Ø 15 mm	3	
23	1241.0030.00	B	PACKING 15X22X5,5 mm	3	
24	0009.0222.00		RING Ø15 mm	3	
25	1210.0223.00	B	O-RING 1,78X26,7 mm	3	
26	0019.0095.00	D	OIL SEAL15X24X5 mm	3	
27	0600.0048.00	C	NUT	3	
28	2811.0080.00	C	WASHER 8,2X14X1,5 mm	3	
29	0202.0020.00	C	PISTON Ø15 mm	3	
30	2812.0038.00	C	WASHER	3	
31	1210.0055.00	C-D	O-RING 1,78X 6,07 mm	3	
32	2409.0044.00		PISTON GUIDES	3	
33	3011.0014.00		WRIST. PIN	3	
34	0205.0050.00		CON. ROD	3	
35	3019.0033.00		SNAP RING Ø18 mm	1	
36	3201.0012.00		OIL INDICATOR	1	
37	1210.0333.00	D	O-RING 1,78X23,52 mm	1	
38	1210.0206.00	D	O-RING 2,62X101,27 mm	1	
39	0402.0220.00		CRANKCASE COVER	1	
40	3609.0041.00		SCREW M6X25	4	
51	1210.0441.00	D	O-RING2X14 mm	1	
52	3200.0007.00		CAP 3/8 GAS OT 58	1	
53	3200.0007.00		CAP 3/8 GAS OT 58	1	
54	2811.0084.00		WASHER 16,7x22x1,5 mm	1	
55	3202.0015.00		CAP G 1/2	1	
56	2811.0086.00		WASHER 21,2X27X1,5 mm	1	
65	1220.0030.00		VALVE ASS. BLY.	6	

ZWD VERSION - 3400 RPM

G version (albero femmina / hollow shaft 1")

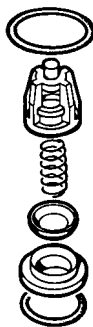
G version (albero femmina / hollow shaft 3/4")
solo / only : 2530 G

POS. ITEM	CODICE PART No.	KIT KIT	DESCRIZIONE DESCRIPTION	Q.tà Qty.	MODELLI MODELS
41	3609.0032.00		SCREW M6X20	4	
42	2811.0023.00		WASHER 6,6X18X2 mm	4	
43	3607.0168.00		SCREW 3/8" 16x1"	4	
44	3607.0119.00		SCREW 5/16" 24x 1"	4	
45	3016.0023.00		FLANGE 1"	1	
46	0019.0102.00	D	OIL SEAL 40X62X7 mm	1	
47	3020.0012.00		SNAP RING C 72	1	
48	0204.0038.00		BUSHING	1	
49	0437.0045.00		ROLLER 40X47X16 mm	1	
50	0001.0386.00		CRANKSHAFT 1"	1	3522 G - 3525 G 3530 G - 3540 G
	0001.0387.00		CRANKSHAFT 1"	1	4020 G - 4030 G 4040 G
	0001.0398.00		CRANKSHAFT 1"	1	3030 G

POS. ITEM	CODICE PART No.	KIT KIT	DESCRIZIONE DESCRIPTION	Q.tà Qty.	MODELLI MODELS
57	3609.0032.00		SCREW M6X20	4	
58	3016.0012.00		FLANGE 3/4"	1	
59	3607.0199.00		SCREW 5/16" 24X3/4"	4	
60	0019.0102.00	D	OIL SEAL 40X62X7 mm	1	
61	3020.0012.00		SNAP RING C 72	1	
62	0204.0038.00		BUSHING	1	
63	0437.0045.00		ROLLER 40X47X16 mm	1	
64	0001.0399.00		CRANKSHAFT 3/4"	1	

KIT VALVOLA ASP-MAND.
COMPLETE VALVE KIT
5025.0011.00

KIT A

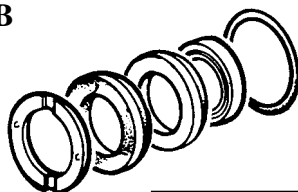


5025.0011.00

POS. ITEM	CODICE PART No.	Q.tà Qty.
4	1210.0046.00	6
5	3009.0087.00	6
6	3604.0017.00	6
7	1802.0177.00	6
8	1205.0025.00	6
9	1210.0048.00	6

KIT GUARNIZIONI PISTONE / PISTON SEAL KIT
Ø 15 mm 5019.0064.00

KIT B

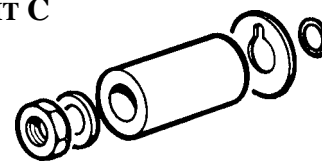


5019.0064.00

POS. ITEM	CODICE PART No.	Q.tà Qty.
20	0009.0196.00	3
21	1241.0034.00	3
22	0009.0223.00	3
23	1241.0030.00	3
25	1210.0223.00	3

KIT PISTONE / PISTON KIT
Ø 15 mm 2409.0071.00

KIT C

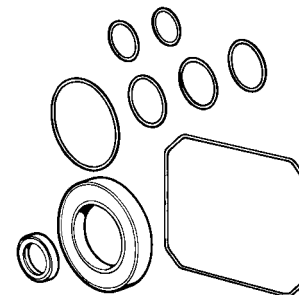


2409.0071.00

POS. ITEM	CODICE PART No.	Q.tà Qty.
27	0600.0048.00	3
28	2811.0080.00	3
29	0202.0020.00	3
30	2812.0038.00	3
31	1210.0055.00	3

KIT GUARNIZIONI POMPA / SEAL KIT
ALBERO FEMMINA / HOLLOW SHAFT 5019.0065.00

KIT D



5019.0065.00

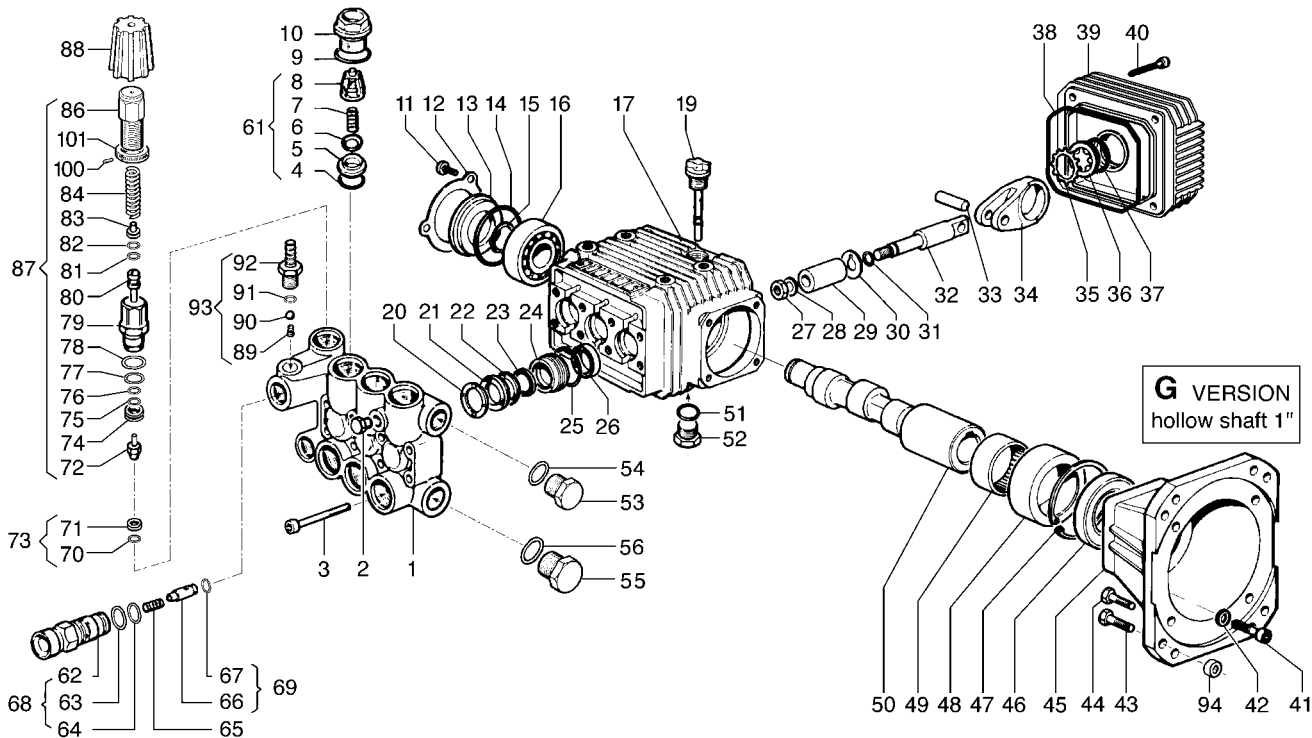
POS. ITEM	CODICE PART No.	Q.tà Qty.
4	1210.0046.00	6
9	1210.0048.00	6
14	1210.0386.00	1
25	1210.0223.00	3
26	0019.0095.00	3
31	1210.0055.00	3
37	1210.0333.00	1
38	1210.0206.00	1
46-60	0019.0102.00	1
51	1210.0441.00	1

Altri KIT
Other KITS

vedi pagine:
see pages:

54 - 55

ZWD-K VERSION - 3400 RPM



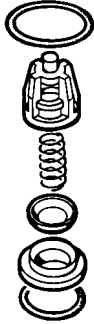
POS. ITEM	CODICE PART No.	KIT KIT	DESCRIZIONE DESCRIPTION	Q.tà Qty.	MODELLI MODELS
1	3218.0125.00		MANIFOLD Ø 15	1	
2	3202.0018.00		CAP G1/8	1	
3	3609.0152.00		SCREW M6X55	8	
4	1210.0046.00	A-D	O-RING 2,62X 17,13 mm	6	
5	3009.0087.00	A	VALVE SEAT	6	
6	3604.0017.00	A	VALVE PLATE	6	
7	1802.0177.00	A	SPRING	6	
8	1205.0025.00	A	VALVE GUIDE	6	
9	1210.0048.00	A-D	O-RING 2,62X 20,24 mm	6	
10	3202.0155.00		CAP	6	
11	3609.0088.00		SCREW M5X10	3	
12	1004.0012.00		CRANKCASE COVER	1	
13	0402.0172.00		SPACER	1	
14	1210.0386.00	D	O-RING 3,53X44,04 mm	1	
15	3019.0011.00		SNAP RING	1	
16	0438.0069.00		BALL BEARING 20X52X15 mm	1	
17	0403.0128.00		CRANKCASE	1	
19	3200.0051.00		OIL DIPSTICK	1	
20	0009.0196.00	B	HEAD RING Ø15 mm	3	
21	1241.0034.00	B	PACKING Ø15 mm	3	
22	0009.0223.00	B	RING Ø 15 mm	3	
23	1241.0030.00	B	PACKING 15X22X5,5 mm	3	
24	0009.0222.00		RING Ø15 mm	3	
25	1210.0223.00	B-D	O-RING 1,78X26,7 mm	3	
26	0019.0095.00	D	OIL SEAL 15X24X5 mm	3	
27	0600.0048.00	C	NUT	3	
28	2811.0080.00	C	WASHER 8,2X14X1,5 mm	3	
29	0202.0020.00	C	PISTON Ø15 mm	3	
30	2812.0038.00	C	WASHER	3	
31	1210.0055.00	C-D	O-RING 1,78X 6,07 mm	3	
32	2409.0044.00		PISTON GUIDES	3	
33	3011.0014.00		WRIST. PIN	3	
34	0205.0050.00		CON. ROD	3	
35	3019.0033.00		SNAP RING Ø18 mm	1	
36	3201.0012.00		OIL INDICATOR	1	
37	1210.0333.00	D	O-RING 1,78X23,52 mm	1	
38	1210.0206.00	D	O-RING 2,62X101,27 mm	1	
39	0402.0220.00		CRANKCASE COVER	1	
40	3609.0180.00		SCREW M6X25	4	
41	3609.0032.00		SCREW M6X20	4	
42	2811.0023.00		WASHER 6,6X18X2 mm	4	
43	3607.0168.00		SCREW 3/8" 16x1"	4	
44	3607.0119.00		SCREW 5/16" 24x 1"	4	
45	3016.0023.00		FLANGE 1"	1	
46	0019.0102.00	D	OIL SEAL 40X62X7 mm	1	
47	3020.0012.00		SNAP RING C 72	1	
48	0204.0038.00		BUSHING	1	

POS. ITEM	CODICE PART No.	KIT KIT	DESCRIZIONE DESCRIPTION	Q.tà Qty.	MODELLI MODELS
49	0437.0045.00		ROLLER 40X47X16 mm	1	
50	0001.0398.00		CRANKSHAFT 1"	1	3030 G
	0001.0386.00		CRANKSHAFT 1"	1	3530 G
	0001.0387.00		CRANKSHAFT 1"	1	4030 G
51	1210.0441.00	D	O-RING 2X14 mm	1	
52	3200.0007.00		CAP 3/8 GAS OT 58	1	
53	3200.0007.00		CAP 3/8 GAS OT 58	1	
54	2811.0084.00		WASHER 16,7x22x1,5 mm	1	
55	3202.0015.00		CAP G 1/2	1	
56	2811.0086.00		WASHER 21,2X27X1,5 mm	1	
61	1220.0030.00		VALVE ASS. BLY.	6	
	3410.0288.00	E	INJECTOR BODY 3/8" NPT	1	3030 G - 3530 G
62	3410.0297.00	E	INJECTOR BODY 3/8" NPT	1	4030 G
	3410.0290.00	E	INJECTOR BODY M22x1,5	1	
63	1210.0398.00	E-F	O-RING	1	
64	1210.0402.00	E-F	O-RING	1	
65	1802.0179.00	E	SPRING	1	
66	2409.0076.00	E	CHECK VALVE	1	
67	1210.0397.00	E-F	O-RING	1	
	3410.0287.00		INJECTOR BODY KIT3/8" NPT	1	3030 G - 3530 G
68	3410.0296.00		INJECTOR BODY KIT3/8" NPT	1	4030 G
	3410.0289.00		INJECTOR BODY KITM22x1,5	1	
69	2409.0075.00		CHECK VALVE KIT	1	
70	1210.0403.00	E-F	O-RING 1,78X8,73 mm VT	1	
71	3009.0122.00	E-F	VALVE SEAT	1	
72	3002.0526.00	E-F	HOUSING WITH BALL	1	
73	3009.0013.00		SEAT KIT	1	
74	0009.0233.00	E-F	RING	1	
75	0009.0205.00	E-F	BACK RING	1	
76	1210.0405.00	E-F	O-RING	1	
77	1210.0404.00	E-F	O-RING	1	
78	1210.0407.00	E-F	O-RING	1	
79	0204.0044.00	E	HOUSING	1	
80	2409.0088.00	E-F	PISTON ROD	1	
81	1210.0430.00	E-F	O-RING	1	
82	0009.0234.00	E-F	BACK-UP RING	1	
83	0009.0235.00	E	SEAT	1	
84	1802.0181.00	E	SPRING	1	
86	0204.0043.00	E	ADJUSTABLE KNOB	1	
87	1215.0261.00		PRESS. VALVE KIT 3190 p.s.i.	1	
88	1817.0053.00		HANDLE	1	
89	1802.0180.00		SPRING	1	
90	3003.0026.00		BALL	1	
91	2812.0067.00		WASHER	1	
92	2803.0425.00		NIPPLE	1	
93	2803.0435.00		O-RING	1	
94	2811.0098.00		SPACER 10,5X18X2	1	

ZWD-K VERSION - 3400 RPM

KIT VALVOLA ASP-MAND.
COMPLETE VALVE KIT
5025.0011.00

KIT A

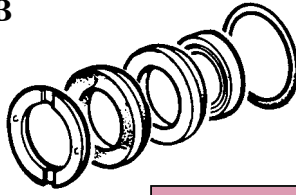


5025.0011.00

POS. ITEM	CODICE PART No.	Q.tà Qty.
4	1210.0046.00	6
5	3009.0087.00	6
6	3604.0017.00	6
7	1802.0177.00	6
8	1205.0025.00	6
9	1210.0048.00	6

KIT GUARNIZIONI PISTONE / PISTON SEAL KIT
Ø 15 mm 5019.0064.00

KIT B

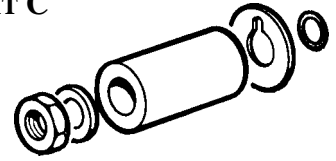


5019.0064.00

POS. ITEM	CODICE PART No.	Q.tà Qty.
20	0009.0196.00	3
21	1241.0034.00	3
22	0009.0223.00	3
23	1241.0030.00	3
25	1210.0223.00	3

KIT PISTONE / PISTON KIT
Ø 15 mm 2409.0071.00

KIT C

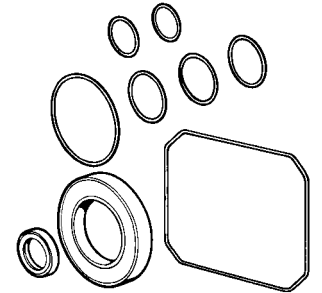


2409.0071.00

POS. ITEM	CODICE PART No.	Q.tà Qty.
27	0600.0048.00	3
28	2811.0080.00	3
29	0202.0020.00	3
30	2812.0038.00	3
31	1210.0055.00	3

KIT GUARNIZIONI POMPA / SEAL KIT
ALBERO FEMMINA / HOLLOW SHAFT 5019.0065.00

KIT D



5019.0065.00

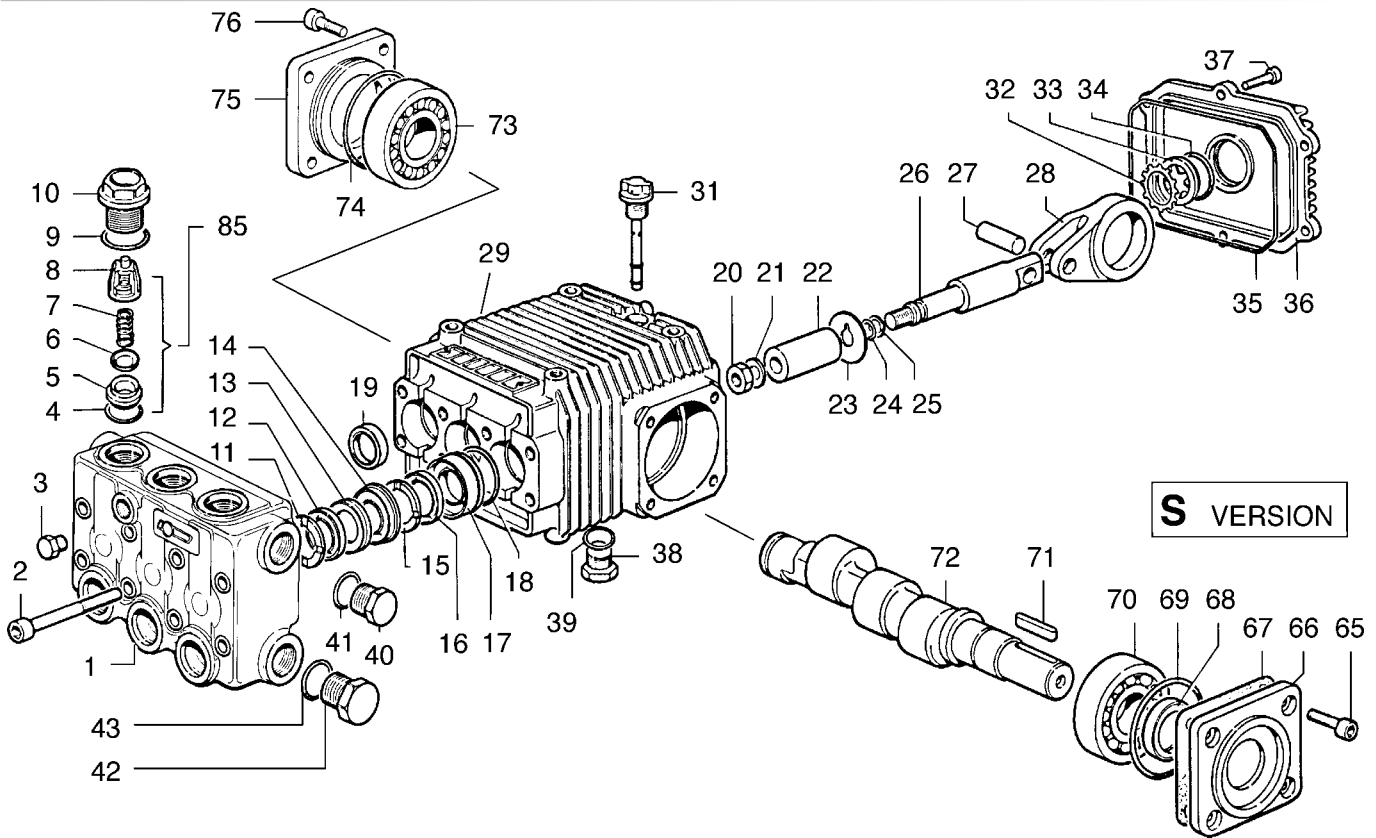
POS. ITEM	CODICE PART No.	Q.tà Qty.
4	1210.0046.00	6
9	1210.0048.00	6
14	1210.0386.00	1
25	1210.0223.00	3
26	0019.0095.00	3
31	1210.0055.00	3
37	1210.0333.00	1
38	1210.0206.00	1
46-60	0019.0102.00	1
51	1210.0441.00	1

Altri KIT
Other KITS

vedi pagine:
see pages:

54 - 55

HW VERSION - 1450 RPM

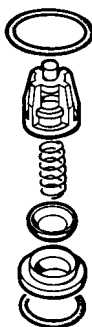


POS. ITEM	CODICE PART No.	KIT KIT	DESCRIZIONE DESCRIPTION	Q.tà Qty.	MODELLI MODELS
1	3218.0122.00		MANIFOLD Ø 18 mm	1	
2	3609.0170.00		SCREW M8X80	8	
3	3202.0112.00		CAP G1/4	1	
4	1210.0046.00	A-D	O-RING 2,62X 17,13 mm	6	
5	3009.0087.00	A	VALVE SEAT	6	
6	3604.0017.00	A	VALVE PLATE	6	
7	1802.0177.00	A	SPRING	6	
8	1205.0025.00	A	VALVE CAGE	6	
9	1210.0048.00	A-D	O-RING 2,62X 20,24 mm	6	
10	3202.0230.00		CAP	6	
11	0009.0193.00	B	HEAD RING Ø18 mm	3	
12	1241.0022.00	B	PACKING V Ø18 mm	3	4040 S - 4540 S
	1241.0035.00		PACKING Ø18 mm	3	4036 S - 4536 S
13	0009.0214.00	B	PACKING Ø18 mm	3	
14	0009.0216.00		INTERMED. RING Ø18 mm	3	
15	0009.0193.00	B	HEAD RING Ø18 mm	3	
16	1241.0022.00	B	PACKING V Ø18 mm	3	4040 S - 4540 S
	1241.0035.00		PACKING Ø18 mm	3	4036 S - 4536 S
17	0009.0217.00		PACKING RETAINER Ø18 mm	3	
18	1210.0156.00	B-D	O-RING 1,78X31,47 mm	3	
19	0019.0066.00	D	OIL SEAL 20X30X5 mm	3	
20	0600.0054.00	C	NUT	3	
21	2811.0082.00	C	WASHER 8,2X17X1,5 mm	3	
22	0202.0022.00	C	PISTON Ø18 mm	3	
23	2812.0042.00	C	WASHER	3	
24	1210.0039.00	C-D	O-RING 1,78X 7,66 mm	3	
25	0009.0170.00	C-D	ANTI-EXTR. RING	3	
26	2409.0048.00		PISTON GUIDES	3	
27	3011.0016.00		WRIST. PIN Ø10X29 mm	3	
28	0205.0044.00		CON. ROD	3	
29	0403.0129.00		CRANKCASE	1	

POS. ITEM	CODICE PART No.	KIT KIT	DESCRIZIONE DESCRIPTION	Q.tà Qty.	MODELLI MODELS
31	3200.0051.00		OIL DIPSTICK	1	
32	3019.0033.00		SNAP RING Ø18 mm	1	
33	3201.0012.00		OIL INDICATOR	1	
34	1210.0333.00	D	O-RING 1,78X23,52 mm	1	
35	1210.0216.00	D	O-RING 2,62X107,62 mm	1	
36	0402.0169.00		CRANCKCASE COVER	1	
37	3609.0030.00		SCREW M5X20	6	
38	3200.0007.00		CAP 3/8 GAS	1	
39	1210.0441.00	D	O-RING 2X14 mm	1	
40	3200.0007.00		CAP 3/8 GAS	1	
41	2811.0084.00		WASHER 16,7X22X1,5 mm	1	
42	3202.0015.00		CAP G1/2	1	
43	2811.0086.00		WASHER 21,2X27X1,5 mm	1	
65	3609.0058.00		SCREW M8X22	4	
66	0402.0170.00		FLANGE	1	
67	0601.0218.00		SHIM Ø62 0,05 mm	1	
	0601.0220.00		SHIM Ø62 0,10 mm	1	
	0601.0222.00		SHIM Ø62 0,19 mm	1	
	0601.0259.00		SHIM Ø62 0,25 mm	1	
68	0019.0007.00	D	OIL SEAL 25X52X7 mm	1	
69	1210.0388.00	D	O-RING	1	
70	0440.0012.00		ROLLER BEARING 25X62X18,25 mm	1	
71	1602.0013.00		KEY 8X7X30 mm	1	
72	0001.0323.00		CRANKSHAFT Ø24 mm	1	4536 S - 4540 S
	0001.0325.00		CRANKSHAFT Ø24 mm	1	4036 S - 4040 S
73	0440.0012.00		ROLLER BEARING 25X62X18,25 mm	1	
74	1210.0388.00	D	O-RING	1	
75	0402.0171.00		FLANGE	1	
76	3609.0032.00		SCREW M6X20	4	
85	1220.0030.00		VALVE ASS. BLY.	6	

**KIT VALVOLA ASP-MAND.
COMPLETE VALVE KIT
5025.0011.00**

KIT A

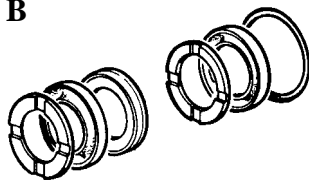


5025.0011.00

POS. ITEM	CODICE PART No.	Q.tà Qty.
4	1210.0046.00	6
5	3009.0087.00	6
6	3604.0017.00	6
7	1802.0177.00	6
8	1205.0025.00	6
9	1210.0048.00	6

**KIT GUARNIZIONI PISTONE / PISTON SEAL KIT
Ø 18 mm 5019.0631.00**

KIT B

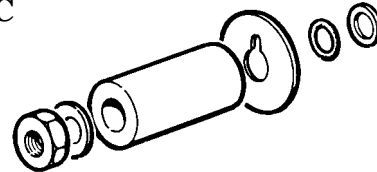


5019.0631.00

POS. ITEM	CODICE PART No.	Q.tà Qty.
11	0009.0193.00	3
12	1241.0022.00	3
13	0009.0214.00	3
15	0009.0193.00	3
16	1241.0022.00	3
18	1210.0156.00	3

**KIT PISTONE / PISTON KIT
Ø 18 mm 2409.0073.00**

KIT C

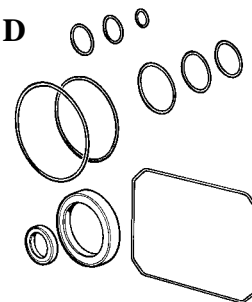


2409.0073.00

POS. ITEM	CODICE PART No.	Q.tà Qty.
20	0600.0054.00	3
21	2811.0082.00	3
22	0202.0022.00	3
23	2812.0042.00	3
24	1210.0039.00	3
25	0009.0170.00	3

**KIT GUARNIZIONI POMPA / SEAL KIT
ALBERO MASCHIO / SOLID SHAFT 5019.0044.00**

KIT D



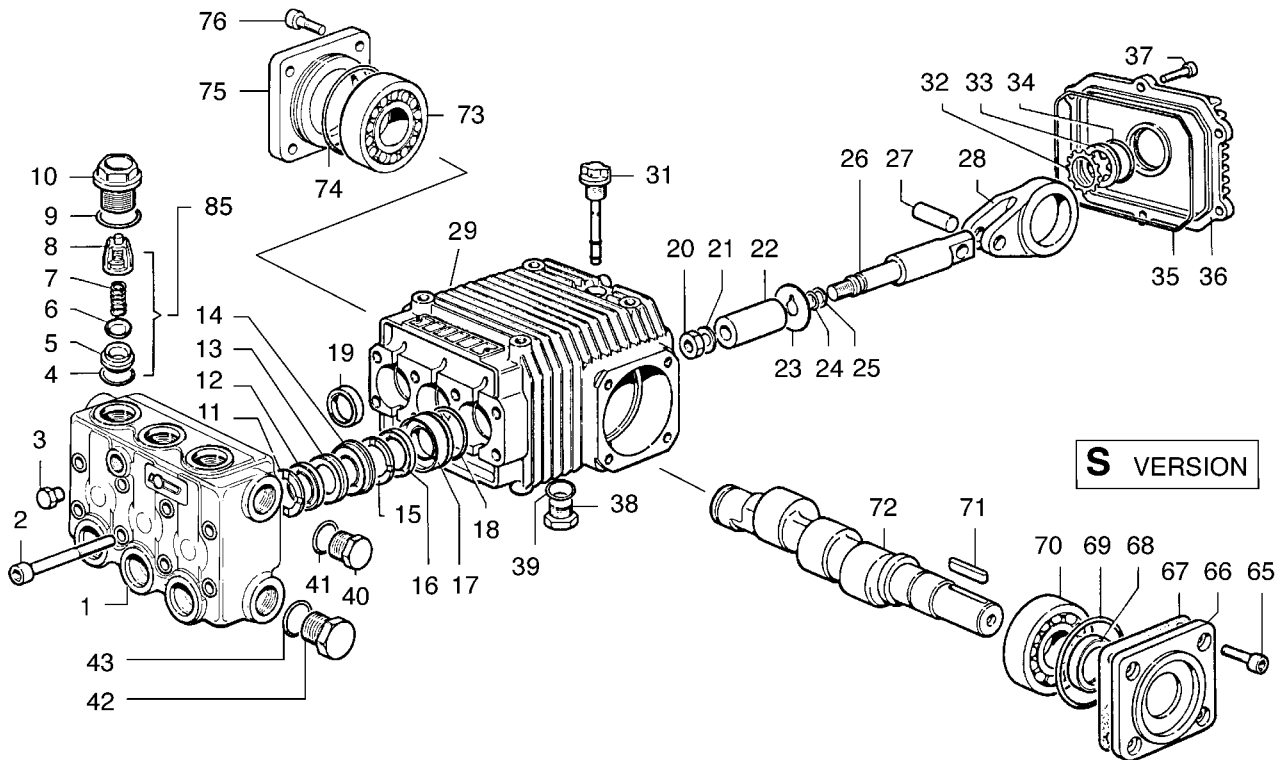
5019.0044.00

POS. ITEM	CODICE PART No.	Q.tà Qty.
4	1210.0046.00	6
9	1210.0048.00	6
18	1210.0156.00	3
19	0019.0066.00	3
24	1210.0039.00	3
25	0009.0170.00	3
34	1210.0333.00	1
35	1210.0216.00	1
39	1210.0441.00	1
68	0019.0007.00	1
69	1210.0388.00	1
74	1210.0388.00	1

**Altri KIT
Other KITS**

vedi pagine:
see pages:
54 - 55

HWS VERSION - 1750 RPM



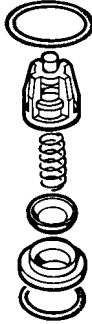
POS. ITEM	CODICE PART No.	KIT KIT	DESCRIZIONE DESCRIPTION	Q.tà Qty.	MODELLI MODELS
1	3218.0122.00		MANIFOLD Ø 18 mm	1	
2	3609.0170.00		SCREW M8X80	8	
3	3202.0112.00		CAP G1/4	1	
4	1210.0046.00	A-D	O-RING 2,62X 17,13 mm	6	
5	3009.0087.00	A	VALVE SEAT	6	
6	3604.0017.00	A	VALVE PLATE	6	
7	1802.0177.00	A	SPRING	6	
8	1205.0025.00	A	VALVE CAGE	6	
9	1210.0048.00	A-D	O-RING 2,62X 20,24 mm	6	
10	3202.0230.00		CAP	6	
11	0009.0193.00	B	HEAD RING Ø18 mm	3	
12	1241.0022.00	B	PACKING V Ø18 mm	3	4040 S - 4540 S 5040 S
	1241.0035.00		PACKING Ø18 mm	3	4036 S - 4536 S
13	0009.0214.00	B	PACKING Ø18 mm	3	
14	0009.0216.00		INTERMED. RING Ø18 mm	3	
15	0009.0193.00	B	HEAD RING Ø18 mm	3	
16	1241.0022.00	B	PACKING V Ø18 mm	3	4040 S - 4540 S 5040 S
	1241.0035.00		PACKING Ø18 mm	3	4036 S - 4536 S
17	0009.0217.00		PACKING RETAINER Ø18 mm	3	
18	1210.0156.00	B-D	O-RING 1,78X31,47 mm	3	
19	0019.0066.00	D	OIL SEAL 20X30X5 mm	3	
20	0600.0054.00	C	NUT	3	
21	2811.0082.00	C	WASHER 8,2X17X1,5 mm	3	
22	0202.0022.00	C	PISTON Ø18 mm	3	
23	2812.0042.00	C	WASHER	3	
24	1210.0039.00	C-D	O-RING 1,78X 7,66 mm	3	
25	0009.0170.00	C-D	ANTI-EXTR. RING	3	
26	2409.0048.00		PISTON GUIDES	3	
27	3011.0016.00		WRIST. PIN Ø10X29 mm	3	
28	0205.0044.00		CON. ROD	3	
29	0403.0129.00		CRANKCASE	1	

POS. ITEM	CODICE PART No.	KIT KIT	DESCRIZIONE DESCRIPTION	Q.tà Qty.	MODELLI MODELS
31	3200.0051.00		OIL DIPSTICK	1	
32	3019.0033.00		SNAP RING Ø18 mm	1	
33	3201.0012.00		OIL INDICATOR	1	
34	1210.0333.00	D	O-RING 1,78X23,52 mm	1	
35	1210.0216.00	D	O-RING 2,62X107,62 mm	1	
36	0402.0169.00		CRANCKCASE COVER	1	
37	3609.0030.00		SCREW M5X20	6	
38	3200.0007.00		CAP 3/8 GAS	1	
39	1210.0441.00	D	O-RING 2X14 mm	1	
40	3200.0007.00		CAP 3/8 GAS	1	
41	2811.0084.00		WASHER 16,7X22X1,5 mm	1	
42	3202.0015.00		CAP G1/2	1	
43	2811.0086.00		WASHER 21,2X27X1,5 mm	1	
65	3609.0058.00		SCREW M8X22	4	
66	0402.0170.00		FLANGE	1	
67	0601.0218.00		SHIM Ø62 0,05 mm	1	
	0601.0220.00		SHIM Ø62 0,10 mm	1	
	0601.0222.00		SHIM Ø62 0,19 mm	1	
	0601.0259.00		SHIM Ø62 0,25 mm	1	
68	0019.0007.00	D	OIL SEAL 25X52X7 mm	1	
69	1210.0388.00	D	O-RING	1	
70	0440.0012.00		ROLLER BEARING 25X62X18,25 mm	1	
71	1602.0013.00		KEY 8X7X30 mm	1	
72	0001.0324.00		CRANKSHAFT Ø24 mm	1	4036 S - 4040 S
	0001.0323.00		CRANKSHAFT Ø24 mm	1	5040 S
	0001.0346.00		CRANKSHAFT Ø24 mm	1	4536 S - 4540 S
73	0440.0012.00		ROLLER BEARING 25X62X18,25 mm	1	
74	1210.0388.00	D	O-RING	1	
75	0402.0171.00		FLANGE	1	
76	3609.0032.00		SCREW M6X20	4	
85	1220.0030.00		VALVE ASS. BLY.	6	

HWS VERSION - 1750 RPM

KIT VALVOLA ASP.-MAND.
COMPLETE VALVE KIT
5025.0011.00

KIT A

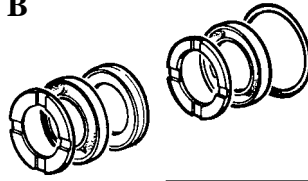


5025.0011.00

POS. ITEM	CODICE PART No.	Q.tà Qty.
4	1210.0046.00	6
5	3009.0087.00	6
6	3604.0017.00	6
7	1802.0177.00	6
8	1205.0025.00	6
9	1210.0048.00	6

KIT GUARNIZIONI PISTONE / PISTON SEAL KIT
Ø 18 mm 5019.0631.00

KIT B

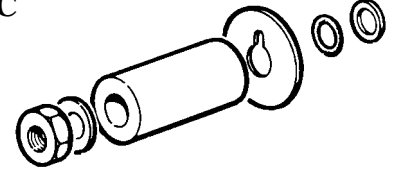


5019.0631.00

POS. ITEM	CODICE PART No.	Q.tà Qty.
11	0009.0193.00	3
12	1241.0022.00	3
13	0009.0214.00	3
15	0009.0193.00	3
16	1241.0022.00	3
18	1210.0156.00	3

KIT PISTONE / PISTON KIT
Ø 18 mm 2409.0073.00

KIT C

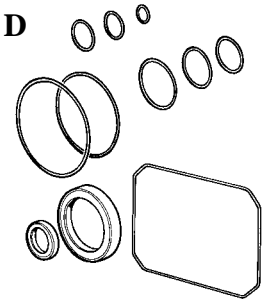


2409.0073.00

POS. ITEM	CODICE PART No.	Q.tà Qty.
20	0600.0054.00	3
21	2811.0082.00	3
22	0202.0022.00	3
23	2812.0042.00	3
24	1210.0039.00	3
25	0009.0170.00	3

KIT GUARNIZIONI POMPA / SEAL KIT
ALBERO MASCHIO / SOLID SHAFT 5019.0044.00

KIT D



5019.0044.00

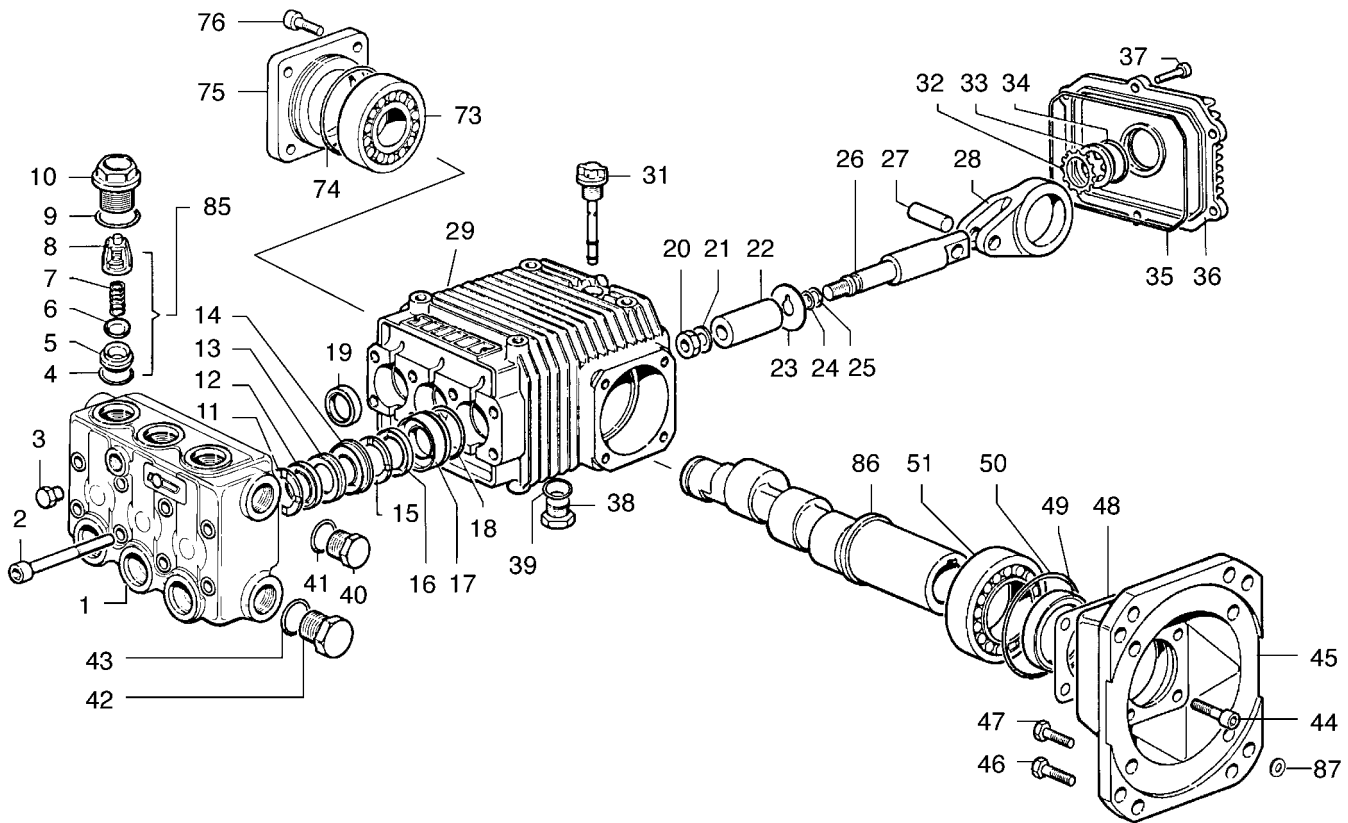
POS. ITEM	CODICE PART No.	Q.tà Qty.
4	1210.0046.00	6
9	1210.0048.00	6
18	1210.0156.00	3
19	0019.0066.00	3
24	1210.0039.00	3
25	0009.0170.00	3
34	1210.0333.00	1
35	1210.0216.00	1
39	1210.0441.00	1
68	0019.0007.00	1
69	1210.0388.00	1
74	1210.0388.00	1

Altri KIT
Other KITS

vedi pagine:
see pages:

54 - 55

HWD VERSION - 3400 RPM



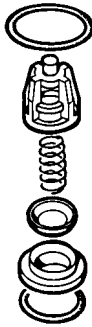
POS. ITEM	CODICE PART No.	KIT KIT	DESCRIZIONE DESCRIPTION	Q.tà Qty.	MODELLI MODELS
1	3218.0122.00		MANIFOLD Ø 18 mm	1	
2	3609.0170.00		SCREW M8X80	8	
3	3202.0112.00		CAP G1/4	1	
4	1210.0046.00	A-D	O-RING 2,62X 17,13 mm	6	
5	3009.0087.00	A	VALVE SEAT	6	
6	3604.0017.00	A	VALVE PLATE	6	
7	1802.0177.00	A	SPRING	6	
8	1205.0025.00	A	VALVE CAGE	6	
9	1210.0048.00	A-D	O-RING 2,62X 20,24 mm	6	
10	3202.0230.00		CAP	6	
11	0009.0193.00	B	HEAD RING Ø18 mm	3	
12	1241.0022.00	B	PACKING V Ø18 mm	3	
13	0009.0214.00	B	PACKING Ø18 mm	3	
14	0009.0216.00		INTERMED. RING Ø18 mm	3	
15	0009.0193.00	B	HEAD RING Ø18 mm	3	
16	1241.0022.00	B	PACKING V Ø18 mm	3	
17	0009.0217.00		PACKING RETAINER Ø18 mm	3	
18	1210.0156.00	B-D	O-RING 1,78X31,47 mm	3	
19	0019.0066.00	D	OIL SEAL 20X30X5 mm	3	
20	0600.0054.00	C	NUT	3	
21	2811.0082.00	C	WASHER 8,2X17X1,5 mm	3	
22	0202.0022.00	C	PISTON Ø18 mm	3	
23	2812.0042.00	C	WASHER	3	
24	1210.0039.00	C-D	O-RING 1,78X 7,66 mm	3	
25	0009.0170.00	C-D	ANTI-EXTR. RING	3	
26	2409.0048.00		PISTON GUIDES	3	
27	3011.0016.00		WRIST. PIN Ø10X29 mm	3	
28	0205.0044.00		CON. ROD	3	
29	0403.0130.00		CRANKCASE	1	
31	3200.0051.00		OIL DIPSTICK	1	
32	3019.0033.00		SNAP RING Ø18 mm	1	
33	3201.0012.00		OIL INDICATOR	1	

POS. ITEM	CODICE PART No.	KIT KIT	DESCRIZIONE DESCRIPTION	Q.tà Qty.	MODELLI MODELS
34	1210.0333.00	D	O-RING 1,78X23,52 mm	1	
35	1210.0216.00	D	O-RING 2,62X107,62 mm	1	
36	0402.0169.00		CRANCKCASE COVER	1	
37	3609.0030.00		SCREW M5X20	6	
38	3200.0007.00		CAP 3/8 GAS	1	
39	1210.0441.00	D	O-RING 2X14 mm	1	
40	3200.0007.00		CAP 3/8 GAS	1	
41	2811.0084.00		WASHER 16,7X22X1,5 mm	1	
42	3202.0015.00		CAP G1/2	1	
43	2811.0086.00		WASHER 21,2X27X1,5 mm	1	
44	3609.0058.00		SCREW M8X22	4	
45	3016.0013.00		FLANGE	1	
46	3607.0168.00		SCREW 3/8"16X1"	4	
47	3607.0119.00		SCREW 5/16"24X1"	4	
48	0601.0210.00		SHIM Ø68 0,05 mm	1	
	0601.0212.00		SHIM Ø68 0,10 mm	1	
	0601.0214.00		SHIM Ø68 0,19 mm	1	
	0601.0216.00		SHIM Ø68 0,25 mm	1	
49	0019.0052.00	D	OIL SEAL 40X52X7 mm	1	
50	1210.0109.00	D	O-RING 1,78X 63,22 mm	1	
51	0440.0011.00		ROLLER BEARING 40X68X19mm	1	
73	0440.0012.00		ROLLER BEARING 25X62X18,25mm	1	
74	1210.0388.00	D	O-RING 1,78X56,87	1	
75	0402.0171.00		FLANGE	1	
76	3609.0032.00		SCREW M6X20	4	
85	1220.0030.00		VALVE ASS.BLY	6	
86	0001.0350.00		CRANKSHAFT 1"	1	3540 G
	0001.0329.00		CRANKSHAFT 1"	1	4040 G
	0001.0330.00		CRANKSHAFT 1"	1	4540 G
87	2811.0098.00		WASHER 10,5X18X2 mm	4	

HWD VERSION - 3400 RPM

KIT VALVOLA ASP.-MAND.
COMPLETE VALVE KIT
5025.0011.00

KIT A

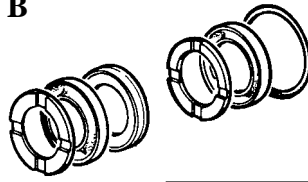


5025.0011.00

POS. ITEM	CODICE PART No.	Q.tà Qty.
4	1210.0046.00	6
5	3009.0087.00	6
6	3604.0017.00	6
7	1802.0177.00	6
8	1205.0025.00	6
9	1210.0048.00	6

KIT GUARNIZIONI PISTONE / PISTON SEAL KIT
Ø 18 mm 5019.0631.00

KIT B

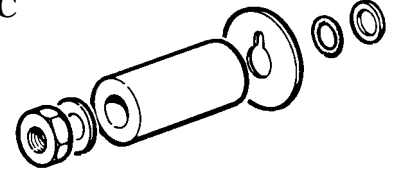


5019.0631.00

POS. ITEM	CODICE PART No.	Q.tà Qty.
11	0009.0193.00	3
12	1241.0022.00	3
13	0009.0214.00	3
15	0009.0193.00	3
16	1241.0022.00	3
18	1210.0156.00	3

KIT PISTONE / PISTON KIT
Ø 18 mm 2409.0073.00

KIT C

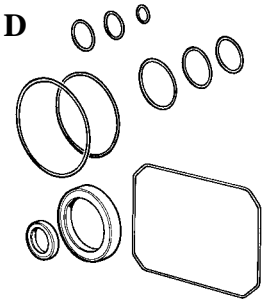


2409.0073.00

POS. ITEM	CODICE PART No.	Q.tà Qty.
20	0600.0054.00	3
21	2811.0082.00	3
22	0202.0022.00	3
23	2812.0042.00	3
24	1210.0039.00	3
25	0009.0170.00	3

KIT GUARNIZIONI POMPA / SEAL KIT
ALBERO FEMMINA / HOLLOW SHAFT 5019.0045.00

KIT D



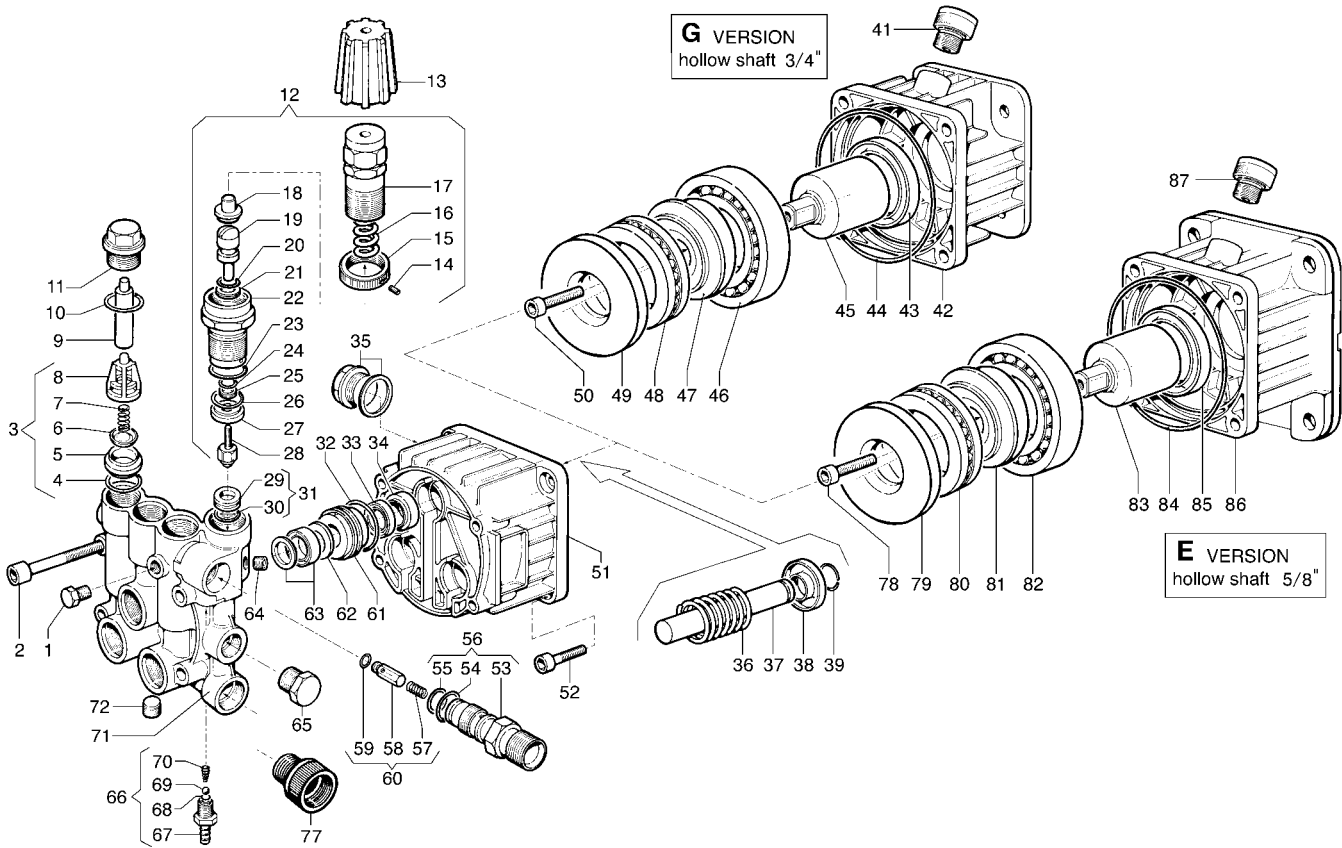
5019.0045.00

POS. ITEM	CODICE PART No.	Q.tà Qty.
4	1210.0046.00	6
9	1210.0048.00	6
18	1210.0156.00	3
19	0019.0066.00	3
24	1210.0039.00	3
25	0009.0170.00	3
34	1210.0333.00	1
35	1210.0216.00	1
39	1210.0441.00	1
49	0019.0052.00	1
50	1210.0109.00	1
74	1210.0388.00	1

Altri KIT
Other KITS

vedi pagine:
see pages:
54 - 55

AXD



POS. ITEM	CODICE PART No.	KIT KIT	DESCRIZIONE DESCRIPTION	Q.tà Qty.	MODELLI MODELS
1	3202.0018.00		CAP 1/8"	1	
2	3609.0156.00		SCREW M8X55	4	
3	1220.0045.00		VALVE KIT	6	
4	1210.0049.00	A-D	O-RING 1,78X12,42	6	
5	3009.0129.00	A	VALVE SEAT	6	
6	3604.0028.00	A	SUC./DEL. VALVE	6	
7	1802.0192.00	A	SPRING	6	
8	1205.0033.00	A	VALVE CAGE	6	
9	0601.0273.00		SPACER	2	
10	1210.0151.00	A-D	O-RING 1,78X17,17	6	
11	3202.0236.00		PLUG	6	
12	1215.0271.00		REG. VAL KIT FOR AX 180 BAR	1	
13	1817.0053.00		KNOB	1	
14	3622.0030.00	E	STOP ADJUSTABLE NUT M4X4	1	
15	1227.0022.00	E	NUT	1	
16	1802.0182.00	E	SPRING	1	
17	0204.0046.00	E	ADJUSTABLE KNOB	1	
18	0009.0207.00	E	SEAT	1	
19	2409.0077.00	E-F	PISTON ROD	1	
20	1210.0406.00	E-F	O-RING	1	
21	0009.0206.00	E-F	RING	1	
22	0204.0045.00	E	HOUSING	1	
23	1210.0407.00	E-F	O-RING	1	
24	1210.0405.00	E-F	O-RING	1	
25	0009.0205.00	E-F	RING	1	
26	1210.0404.00	E-F	O-RING	1	
27	0009.0204.00	E-F	RING	1	
28	3002.0508.00	E-F	HOUSING WITH BALL	1	
29	3009.0122.00	E-F	SEAT	1	
30	1210.0403.00	E-F	O-RING	1	
31	3009.0013.00		VALVE SEAT	1	
32	1210.0356.00	B-D	O-RING 1,78X25,12	3	
33	1241.0050.00	B	PISTON SEAL Ø14	3	
34	0019.0103.00	D	SEALING RING	3	
35	3201.0018.00		OIL LEVEL PLUG	1	
36	1802.0153.00		SPRING	3	
37	2409.0089.00	C	PISTON	3	
38	0009.0221.00	C	RING	3	
39	0009.0220.00	C	RING Ø14	3	
51	0403.0135.00		PUMP CRANKCASE	1	
52	3609.0005.00		SCREW M8X20	4	
53	3410.0295.00	E	INJECTOR BODY M22x1,5	1	M22X1,5
	3410.0298.00	E	INJECTOR BODY 3/8 NPT	1	NPT

POS. ITEM	CODICE PART No.	KIT KIT	DESCRIZIONE DESCRIPTION	Q.tà Qty.	MODELLI MODELS
54	1210.0049.00	D-E F	O-RING 1,78X 12,42	1	
55	1210.0040.00	E-F	O-RING 1,78X 15,6	1	
56	3410.0302.00		INJECTOR BODY KIT M22X1,5	1	M22X1,5
	3410.0303.00		INJECTOR BODY KIT 3/8 NPT	1	NPT
57	1802.0197.00	E	SPRING	1	
58	2409.0086.00	E	CHECK VALVE	1	
59	1210.0397.00	E-F	O-RING	1	
60	2409.0091.00		CHECK VALVE KIT	1	
61	0009.0219.00		RING	3	
62	0009.0230.00	B	RING	3	
63	1241.0055.00	B	PISTON SEAL 150 BAR	3	2520 G - 3020 G 3522 G
	1241.0056.00	B	PISTON SEAL 180 BAR	3	3025 G
64	3200.0017.00		PLUG 1/8X8	1	
65	3200.0007.00		PLUG 3/8 GAS OT58	1	
66	2803.0435.00		INJECTOR KIT	1	
67	2803.0425.00		HOSE BARB FITTING	1	
68	2812.0067.00		O-RING	1	
69	3003.0026.00		BALL	1	
70	1802.0180.00		SPRING	1	
71	3218.0299.00		PUMP VALVE CHAMBER	1	
72	3200.0017.00		PLUG 1/8X8	1	
77	2800.0081.00		GARDEN HOSE TAIL	1	

E Version -(albero femmina / hollow shaft 5/8")

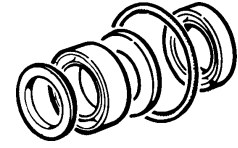
POS. ITEM	CODICE PART No.	KIT KIT	DESCRIZIONE DESCRIPTION	Q.tà Qty.	MODELLI MODELS
78	3609.0005.00		SCREW M8X20	1	
79	2816.0025.00		THRUST BEARING	1	
80	0436.0016.00		AXIAL BEARING	1	
81	0001.0431.00		ECCENTRIC SHAFT 6°	1	2020 E
	0001.0417.00		ECCENTRIC SHAFT 8°	1	2520 E
	0001.0419.00		ECCENTRIC SHAFT 9°	1	3020 E
82	0438.0076.00		BALL BEARING 40X80X18 mm	1	
83	0001.0422.00		ECCENTRIC SHAFT 5/8"	1	
84	1210.0429.00	D	O-RING	1	
85	0019.0034.00	D	SEALING RING 40X55X7	1	
86	3002.0538.00		SUPPORT	1	
87	3200.0071.00		PLUG G3/8	1	

G Version -(albero femmina / hollow shaft 3/4")

POS. ITEM	CODICE PART No.	KIT KIT	DESCRIZIONE DESCRIPTION	Q.tà Qty.	MODELLI MODELS
41	3200.0071.00		PLUG G3/8	1	
42	3002.0522.00		SUPPORT	1	
43	0019.0034.00	D	SEALING RING 40X55X7	1	
44	1210.0429.00	D	O-RING	1	
45	0001.0395.00		ECCENTRIC SHAFT 3/4"	1	
46	0438.0076.00		BALL BEARING 40X80X18 mm	1	
47	0001.0419.00		ECCENTRIC SHAFT 9°	1	3025 G
	0001.0420.00		ECCENTRIC SHAFT 10°30'	1	3522 G
	0001.0417.00		ECCENTRIC SHAFT 8°	1	2520 G
	0001.0418.00		ECCENTRIC SHAFT 8°30'	1	3020 G
48	0436.0016.00		AXIAL BEARING	1	2520 G - 3020 G 3522 G
	0436.0018.00		AXIAL BEARING	1	3025 G
49	2816.0025.00		THRUST BEARING	1	
50	3609.0005.00		SCREW M8X20	1	

KIT GUARNIZIONI PISTONE / PISTON SEAL KIT 150 bar 5019.0077.00 - 180 bar 5019.0078.00

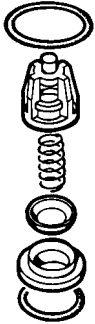
KIT B



5019.0077.00			5019.0078.00		
POS. ITEM	CODICE PART No.	Q.tà Qty.	POS. ITEM	CODICE PART No.	Q.tà Qty.
32	1210.0356.00	3	32	1210.0356.00	3
33	1241.0050.00	3	33	1241.0050.00	3
62	0009.0230.00	3	62	0009.0230.00	3
63	1241.0055.00	3	63	1241.0056.00	3

KIT VALVOLA ASP.-MAND. COMPLETE VALVE KIT 5025.0014.00

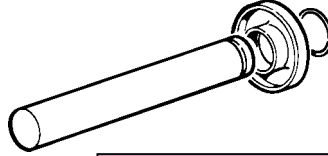
KIT A



5025.0014.00		
POS. ITEM	CODICE PART No.	Q.tà Qty.
4	1210.0049.00	6
5	3009.0129.00	6
6	3604.0028.00	6
7	1802.0192.00	6
8	1205.0033.00	6
10	1210.0151.00	6

KIT PISTONE / PISTON KIT Ø 14 mm 2409.0092.00

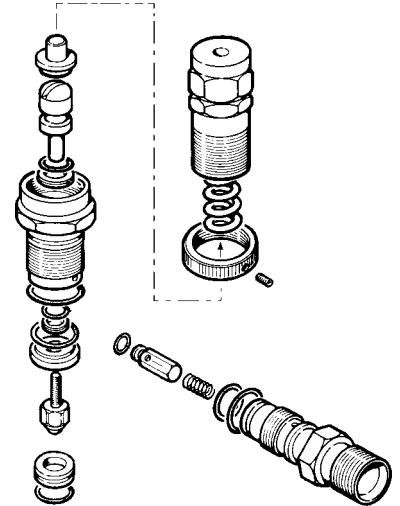
KIT C



2409.0092.00		
POS. ITEM	CODICE PART No.	Q.tà Qty.
37	2409.0089.00	3
38	0009.0221.00	3
39	0009.0220.00	3

KIT REVISIONE / OVERHAUL KIT M22 x 1,5 5026.0142.00 3/8" NPT 5026.0143.00

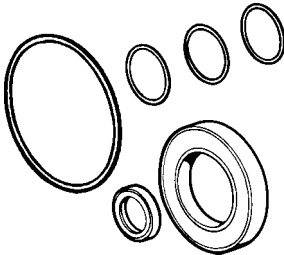
KIT E



5026.0142.00			5026.0143.00		
POS. ITEM	CODICE PART No.	Q.tà Qty.	POS. ITEM	CODICE PART No.	Q.tà Qty.
14	3622.0030.00	1	14	3622.0030.00	1
15	1227.0022.00	1	15	1227.0022.00	1
16	1802.0182.00	1	16	1802.0182.00	1
17	0204.0046.00	1	17	0204.0046.00	1
18	0009.0207.00	1	18	0009.0207.00	1
19	2409.0077.00	1	19	2409.0077.00	1
20	1210.0406.00	1	20	1210.0406.00	1
21	0009.0206.00	1	21	0009.0206.00	1
22	0204.0045.00	1	22	0204.0045.00	1
23	1210.0407.00	1	23	1210.0407.00	1
24	1210.0405.00	1	24	1210.0405.00	1
25	0009.0205.00	1	25	0009.0205.00	1
26	1210.0404.00	1	26	1210.0404.00	1
27	0009.0204.00	1	27	0009.0204.00	1
28	3002.0508.00	1	28	3002.0508.00	1
29	3009.0122.00	1	29	3009.0122.00	1
30	1210.0403.00	1	30	1210.0403.00	1
53	3410.0295.00	1	53	3410.0298.00	1
54	1210.0049.00	1	54	1210.0049.00	1
55	1210.0040.00	1	55	1210.0040.00	1
57	1802.0197.00	1	57	1802.0197.00	1
58	2409.0086.00	1	58	2409.0086.00	1
59	1210.0397.00	1	59	1210.0397.00	1

KIT GUARNIZIONI POMPA / SEAL KIT 5019.0079.00

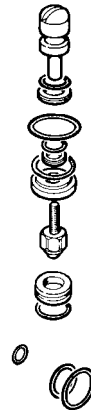
KIT D



5019.0079.00		
POS. ITEM	CODICE PART No.	Q.tà Qty.
4	1210.0049.00	6
10	1210.0151.00	6
32	1210.0356.00	3
34	0019.0103.00	3
43	0019.0034.00	1
44	1210.0429.00	1
54	1210.0049.00	1

KIT MANUTENZIONE MAINTENANCE KIT 5026.0144.00

KIT F



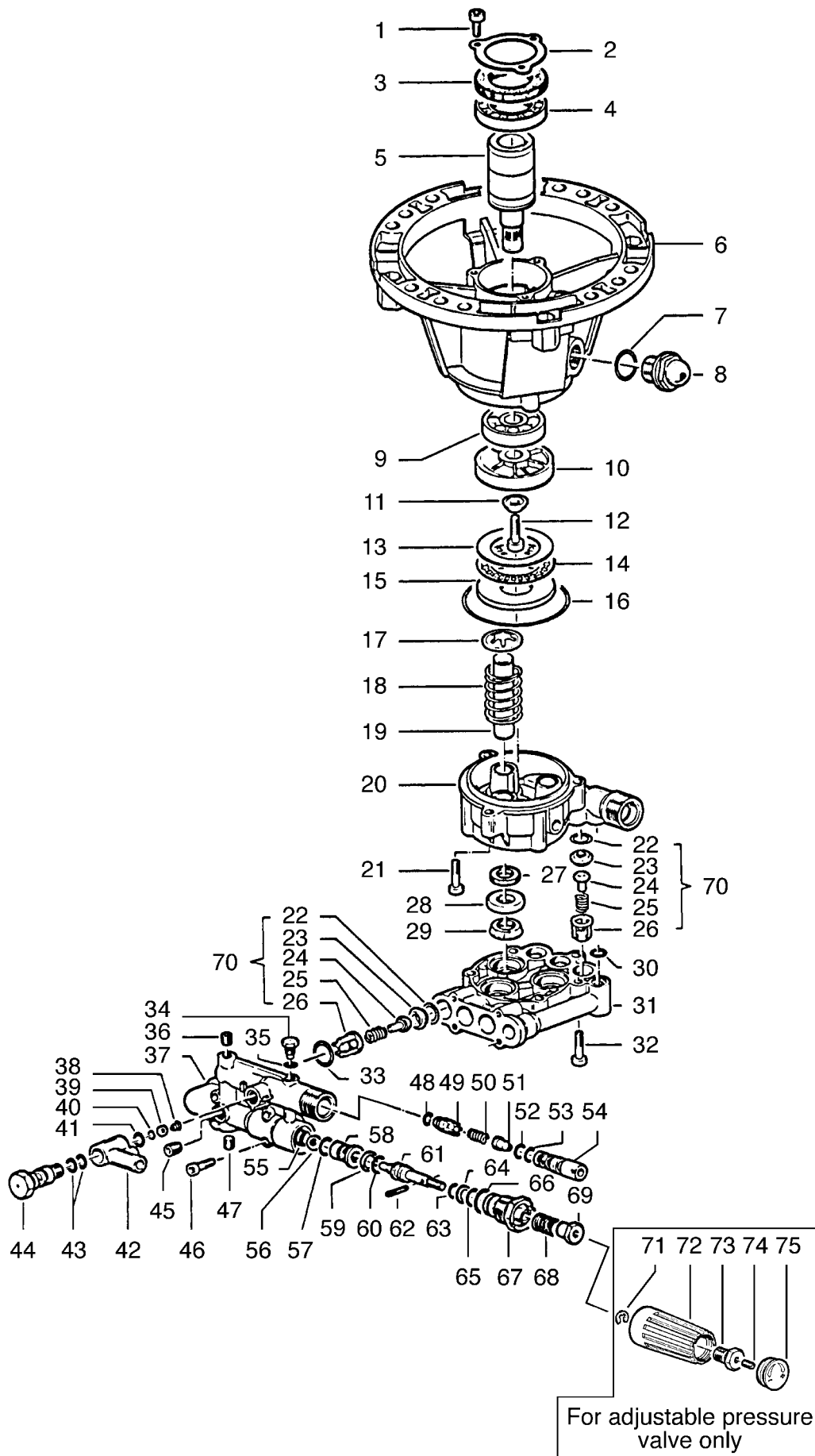
5026.0144.00		
POS. ITEM	CODICE PART No.	Q.tà Qty.
19	2409.0077.00	1
20	1210.0406.00	1
21	0009.0206.00	1
23	1210.0407.00	1
24	1210.0405.00	1
25	0009.0205.00	1
26	1210.0404.00	1
27	0009.0204.00	1
28	3002.0508.00	1
29	3009.0122.00	1
30	1210.0403.00	1
54	1210.0049.00	1
55	1210.0040.00	1
59	1210.0397.00	1

Altri KIT
Other KITS

vedi pagine:
see pages:

55

VRT 2/15 VERSION



Versione standard / Standard version

POS. ITEM	CODICE PART No.	KIT KIT	DESCRIZIONE DESCRIPTION	Q.tà Qty.	MODELLI MODELS
1	3625.0045.00		SCREW M5X10	3	
2	1004.0017.00		CRANKCASE COVER	1	
3	0019.0075.00		OIL SEAL 35X62X 7 mm	1	
4	0438.0015.00		BALL BEARING 35X62X14mm	1	
5	0004.0022.00		CRANKSHAFT	1	
6	3002.0507.00		FLANGE	1	
7	1210.0071.00		O-RING 1,78X 20,35 mm	1	
8	3201.0005.00		OIL INDICATOR 1/2GAS	1	
9	0438.0058.00		BALL BEARING 17X47X14 mm	1	
10	0001.0358.00		WOBBLE PLATE 8,5°	1	
11	2812.0066.00		WASHER	1	
12	3609.0034.00		SCREW M6X18	1	
13	2816.0020.00		THRUST BEARING 40X60X1mm	1	
14	0436.0014.00		AXIAL BEARING 40X60X3	1	
15	2816.0021.00		THRUST BEARING 27X60X6mm	1	
16	1210.0391.00		O-RING 2,62X75,87mm	1	
17	0009.0195.00		RING	3	
18	1802.0174.00		SPRING	3	
19	2409.0069.00		PISTON Ø14 mm	3	
20	2432.0014.00		HOUSING	1	
21	3609.0100.00		SCREW M6X35	4	
22	1210.0393.00		O-RING 2,0X12 mm	6	
23	3009.0118.00		VALVE SEAT	6	
24	3604.0026.00		VALVE PLATE	6	
25	1802.0175.00		SPRING	6	
26	1205.0031.00		VALVE GUIDE	6	
27	0019.0058.00		OIL SEAL 14X22,2X5/7 mm	3	
28	0009.0201.00		RING	3	
29	1241.0033.00		PACKING 14X22X6 mm	3	
30	1210.0041.00		O-RING 1,78X 8,73 mm	1	
31	3218.0111.00		PUMP HEAD	1	
32	3609.0100.00		SCREW M6X35	4	
33	1210.0392.00		O-RING 2,0X16 mm	4	
34	3605.0087.00		SPECIAL SCREW M6	1	
35	1210.0220.00		O-RING 2,0X4 mm	1	
36	3200.0017.00		GRUB SCREW 1/8X8 mm	1	
37	0424.0320.00		VALVE HOUSING	1	
38	1802.0176.00		SPRING	1	
39	3003.0016.00		BALL 3/16"	1	
40	1210.0014.00		O-RING	1	
41	1210.0039.00		O-RING 1,78X 7,66 mm	1	

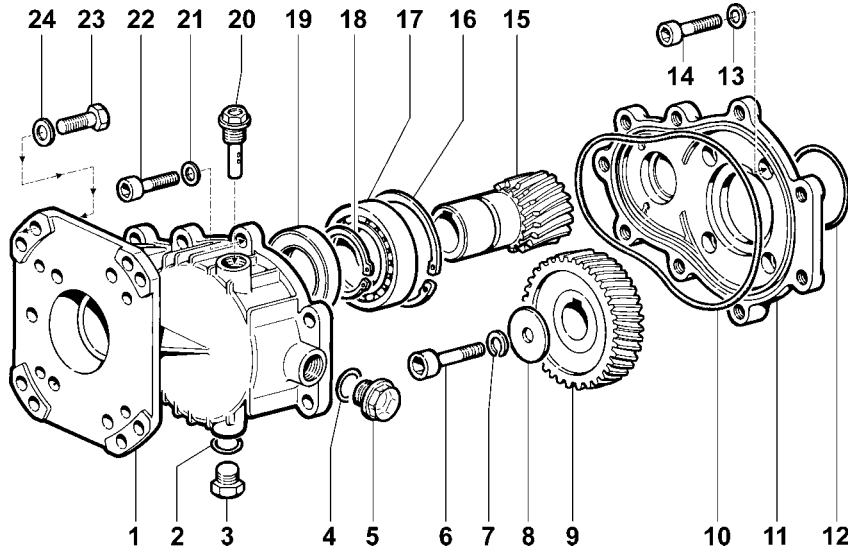
POS. ITEM	CODICE PART No.	KIT KIT	DESCRIZIONE DESCRIPTION	Q.tà Qty.	MODELLI MODELS
42	0424.0316.00		HOSE BARB FITTING	1	
43	1210.0041.00		O-RING 1,78X 8,73 mm	2	
44	3605.0088.00		SPECIAL SCREW	1	
45	3200.0017.00		GRUB SCREW 1/8X8 mm	1	
46	3609.0148.00		SCREW M5X35	4	
47	3200.0017.00		GRUB SCREW 1/8X8 mm	1	
48	1210.0220.00		O-RING 2,0X4 mm	1	
49	3600.0087.00		CHECK VALVE	1	
50	1802.0177.00		SPRING	1	
51	3400.0287.00		INJECTOR	1	
52	1210.0041.00		O-RING 1,78X 8,73 mm	1	
53	1210.0152.00		O-RING 1,78X9,25 mm	1	
54	2000.0087.00		INJECTOR HOUSING	1	
55	1802.0189.00		SPRING	1	
56	3003.0015.00		BALL Ø7,938-5/16"	1	
57	1210.0152.00		O-RING 1,78X9,25 mm	1	
58	3009.0119.00		VALVE SEAT	1	
59	0009.0112.00		BACK UP RING	1	
60	1210.0041.00		O-RING 1,78X 8,73 mm	1	
61	0015.0169.00		PISTON ROD	1	WHITOUT ADJUSTABLE PRESSURE VALVE
	0015.0170.00		PISTON ROD	1	WHIT ADJUSTABLE PRESSURE VALVE
62	3021.0029.00		ELASTIC PIN Ø2X 10 mm	1	
63	1210.0055.00		O-RING 1,78X 6,07 mm	1	
64	0009.0110.00		RING 2025	1	
65	1210.0049.00		O-RING 1,78X 12,42 mm	1	
66	1210.0390.00		O-RING 2,0X17 mm	1	
67	3605.0089.00		HOUSING	1	
68	1802.0173.00		SPRING	1	
69	3202.0222.00		REG. SCREW	1	WHITOUT ADJUSTABLE PRESSURE VALVE
	3202.0228.00		REG. SCREW	1	WHIT DJUSTABLE PRESSURE VALVE
70	1220.0038.00		VALVE ASS.BLY	6	

Con valvola regolazione pressione For adjustable pressure valve only

POS. ITEM	CODICE PART No.	KIT KIT	DESCRIZIONE DESCRIPTION	Q.tà Qty.	MODELLI MODELS
71	0009.0203.00		SNAP RING Ø3,2 mm	1	
72	1223.0089.00		HANDLE	1	
73	3605.0091.00		SPECIAL SCREW	1	
74	3622.0015.00		SCREW M4X10	1	
75	3202.0227.00		HANDLE CAP VRT2/15	1	

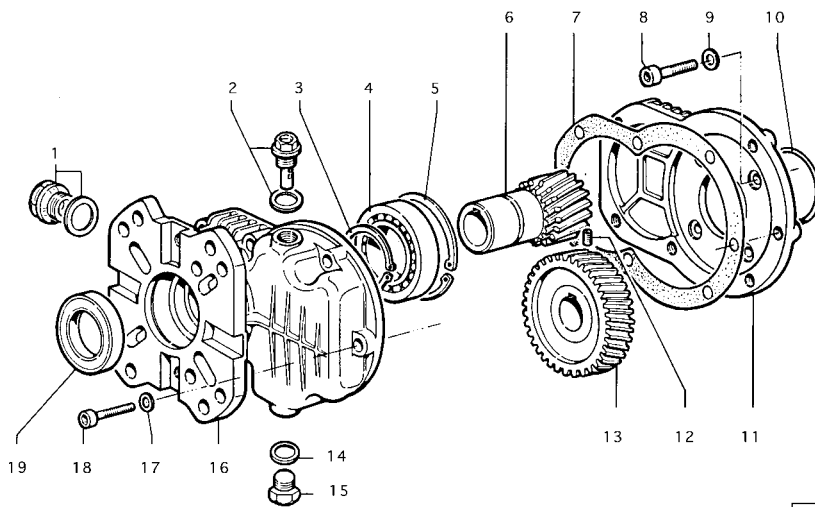
RIDUTTORI / REDUCTION GEAR BOXES FW - HW

NEW



R 219 5005.0207.00			
POS. ITEM	CODICE PART No.	DESCRIZIONE DESCRIPTION	Q.tà Qty.
1	3001.0136.00	REDUCER BOX	1
2	1210.0441.00	O-RING 2,0X14	1
3	3200.0007.00	CAP	1
4	1210.0040.00	O-RING 1,78X15,6	1
5	3201.0006.00	OIL LEVEL INDICATOR	1
6	3609.0183.00	SCREW M6X35	1
7	2819.0019.00	WASHER	1
8	2812.0036.00	WASHER 6,5X28X4 mm	1
9	0409.0026.00	RING GEAR	1
10	1210.0089.00	O-RING 2,62X152,07 mm	1
11	0405.0068.00	FLANGE ADAPTER	1
12	1210.0067.00	O-RING 2,62X55,25 mm	1
13	1209.0107.00	WASHER M8	4
14	3609.0165.00	SCREW M8X35	4
15	2402.0149.00	PINION GEAR	1
16	3020.0033.00	SNAP RING	1
17	0438.0077.00	BALL BEARING 40X68X15 mm	1
18	3019.0018.00	SNAP RING	1
19	0019.0102.00	OIL SEAL 40X62X7 mm	1
20	3200.0051.00	OIL DIPSTICK	1
21	2811.0016.00	WASHER 8,4X17X1,6 mm	9
22	3609.0006.00	SCREW M8X30	9
23	3607.0168.00	SCREW 3/8" 16	4
24	2811.0098.00	WASHER 10,5X18X2 mm	4

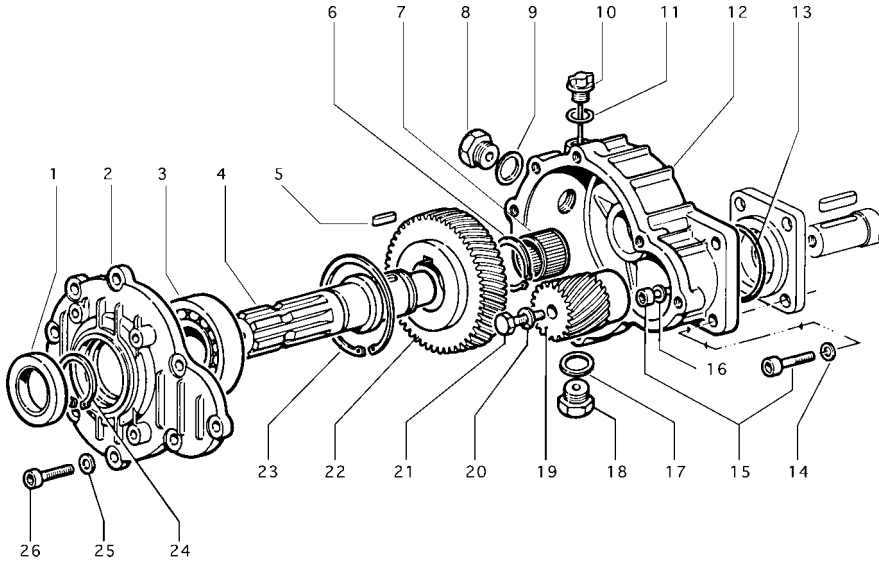
FW - FWS - HW - HWS
Albero Maschio
Solid Shaft **Ø 24 mm**



5005.0205.00			
POS. ITEM	CODICE PART No.	DESCRIZIONE DESCRIPTION	Q.tà Qty.
1	3200.0067.00	OIL LEVEL INDICATOR	1
2	3200.0066.00	OIL DIPSTICK	1
3	3019.0018.00	SNAP RING C72	1
4	0438.0074.00	BALL BEARING 40X80X18 mm	1
5	3020.0032.00	SNAP RING C72	1
6	2402.0148.00	PINION GEAR	1
7	1201.0133.00	GASKET	1
8	3609.0006.00	SCREW M8X30	4
9	1209.0107.00	WASHER	4
10	1210.0221.00	O-RING 2,62X56,82 mm	1
11	3001.0130.00	FLANGE ADAPTER	1
12	3622.0011.00	NUT M8X10	1
13	0409.0025.00	RING GEAR	1
14	2811.0102.00	WASHER	1
15	3200.0068.00	CAP	1
16	3002.0519.00	REDUCER BOX	1
17	2807.0017.00	WASHER	7
18	3609.0162.00	SCREW M8X40	7
19	0019.0052.00	OIL SEAL 40X52X7 mm	1

FW - FWS - HW - HWS
Albero Maschio
Solid Shaft **Ø 24 mm**

MOLTIPLICATORE / GEAR BOX FW - HW



5005.0202.00

POS. ITEM	CODICE PART No.	DESCRIZIONE DESCRIPTION	Q.tà Qty.
1	0019.0096.00	OIL SEAL 35X27X7 mm	1
2	0405.0065.00	FLANGE ADAPTER	1
3	0438.0010.00	BALL BEARING 35X72X17 mm	1
4	0005.0025.00	CRANKSHAFT	1
5	1602.0049.00	KEY	1
6	3019.0004.00	SNAP RING C72	1
7	0437.0077.00	NEEDLE 25X32X16 mm	1
8	3201.0006.00	OIL LEVEL INDICATOR	1
9	1210.0040.00	O-RING 1,78X15,6 mm	1
10	3200.0051.00	OIL DIPSTICK	1
11	1210.0093.00	O-RING 1,78X14 mm	1
12	3001.0120.00	CRANKCASE	1
13	1210.0067.00	O-RING 2,62X55,25 mm	1
14	2811.0004.00	WASHER 8,4X14X1,6 mm	2
15	3609.0105.00	SCREW M8X30	4
16	1209.0107.00	WASHER m8	2
17	1210.0093.00	O-RING 1,78X14 mm	1
18	3200.0007.00	CAP	1
19	2402.0144.00	PINION GEAR Z21	1
20	2811.0023.00	WASHER 6,6X18X2 mm	1
21	3607.0230.00	SCREW M6X30	1
22	0409.0022.00	RING GEAR	1
23	3020.0007.00	SNAP RING C72	1
24	3019.0004.00	SNAP RING C72	1
25	2811.0030.00	WASHER 3,4X12,5 mm	8
26	3609.0032.00	SCREW M6X20	8

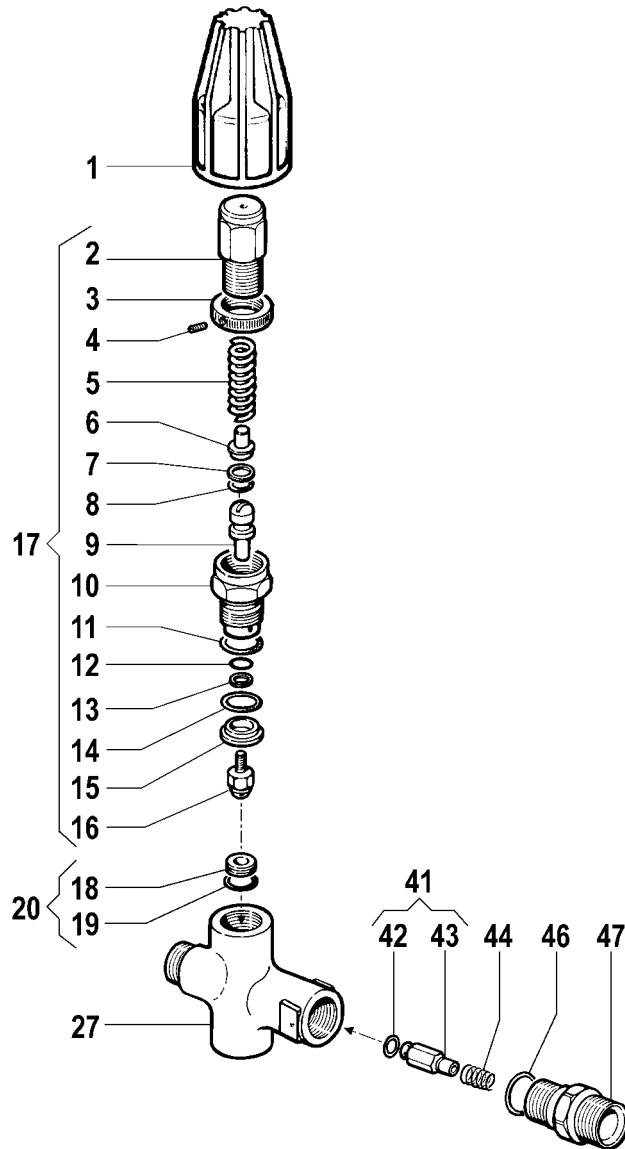
FW - FWS - HW - HWS

Albero Maschio

Solid Shaft

Ø 24 mm

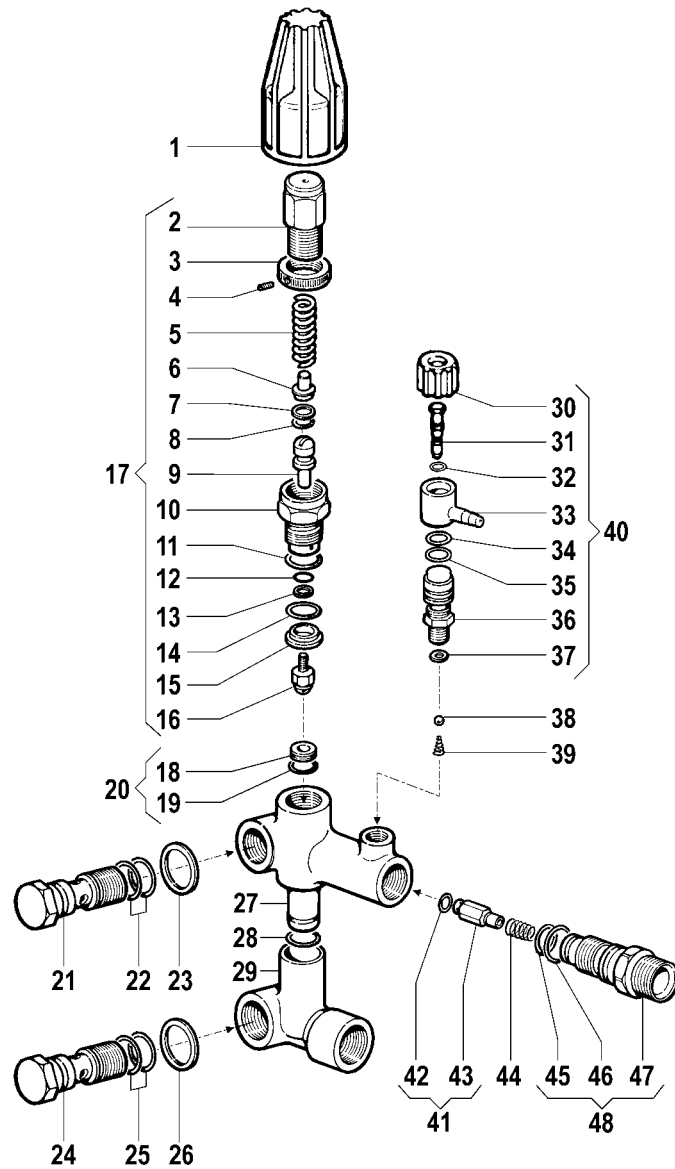
RS 150



POS. ITEM	CODICE PART No.	KIT KIT	DESCRIZIONE DESCRIPTION	Q.tà Qty.	MODELLI MODELS
1	1817.0054.00		HANDLE	1	
2	0204.0043.00		ADJUSTABLE KNOB	1	130 Bar
	0204.0046.00		ADJUSTABLE KNOB	1	180 Bar
3	1227.0022.00		NUT	1	
4	3622.0030.00		STOP ADJUSTABLE NUT M4X4	1	
5	1802.0181.00		SPRING	1	130 Bar
	1802.0182.00		SPRING	1	180 Bar
6	0009.0207.00		SEAT	1	
7	0009.0206.00		BACK-UP RING	1	
8	1210.0406.00		O-RING	1	
9	2409.0077.00		PISTON ROD	1	
10	0204.0045.00		HOUSING	1	
11	1210.0407.00		O-RING	1	
12	1210.0404.00		O-RING	1	
13	1210.0405.00		O-RING	1	

POS. ITEM	CODICE PART No.	KIT KIT	DESCRIZIONE DESCRIPTION	Q.tà Qty.	MODELLI MODELS
14	0009.0205.00		BACK RING	1	
15	0009.0204.00		RING	1	
16	3002.0508.00		HOUSING WITH BALL	1	
17	1215.0273.00		PRESS.VALVE KIT 130 Bar	1	130 Bar
	1215.0271.00		PRESS.VALVE KIT 180 Bar	1	180 Bar
18	3009.0122.00		VALVE SEAT	1	
19	1210.0403.00		O-RING 1,78X8,73 mm VT	1	
20	3009.0013.00		SEAT KIT	1	
27	0424.0326.00		VALVE BODY	1	
41	2409.0075.00		CHECK VALVE KIT	1	
42	1210.0397.00		O-RING	1	
43	2409.0076.00		CHECK VALVE	1	
44	1802.0179.00		SPRING	1	
46	1210.0398.00		O-RING	1	
47	2803.0377.00		OUTLET FITTING M22X1,5	1	

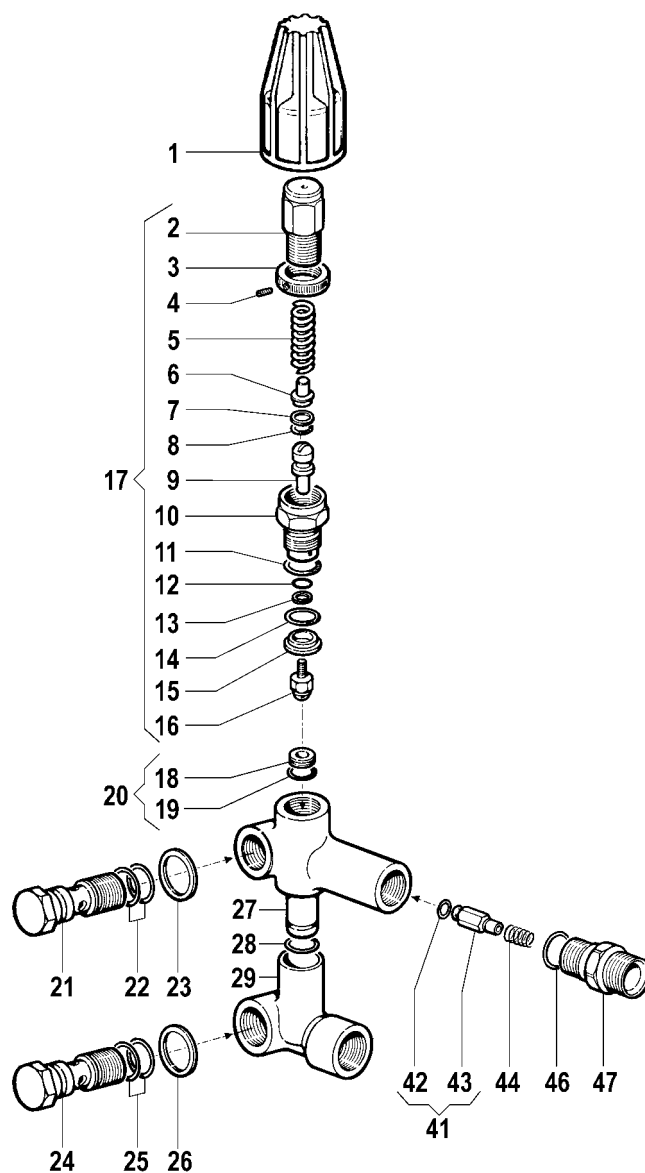
RF 150



POS. ITEM	CODICE PART No.	KIT KIT	DESCRIZIONE DESCRIPTION	Q.tà Qty.	MODELLI MODELS
1	1817.0054.00		HANDLE	1	
2	0204.0043.00		ADJUSTABLE KNOB	1	130 Bar
	0204.0046.00		ADJUSTABLE KNOB	1	180 Bar
3	1227.0022.00		NUT	1	
4	3622.0030.00		STOP ADJUSTABLE NUT M4X4	1	
5	1802.0181.00		SPRING	1	130 Bar
	1802.0182.00		SPRING	1	180 Bar
6	0009.0207.00		SEAT	1	
7	0009.0206.00		BACK-UP RING	1	
8	1210.0406.00		O-RING	1	
9	2409.0077.00		PISTON ROD	1	
10	0204.0045.00		HOUSING	1	
11	1210.0407.00		O-RING	1	
12	1210.0404.00		O-RING	1	
13	1210.0405.00		O-RING	1	
14	0009.0205.00		BACK RING	1	
15	0009.0204.00		RING	1	
16	3002.0508.00		HOUSING WITH BALL	1	
17	1215.0273.00		PRESS. VALVE KIT 130 BAR	1	130 Bar
	1215.0271.00		PRESS. VALVE KIT 180 BAR	1	180 Bar
18	3009.0122.00		VALVE SEAT	1	
19	1210.0403.00		O-RING 1,78X8,73 mm VT	1	
20	3009.0013.00		SEAT KIT	1	
21	2803.0374.00		VALVE BOLT	1	
22	1210.0410.00		O-RING	2	
23	2811.0101.00		WASHER	2	

POS. ITEM	CODICE PART No.	KIT KIT	DESCRIZIONE DESCRIPTION	Q.tà Qty.	MODELLI MODELS
24	2803.0375.00		VALVE BOLT	1	
25	1210.0411.00		O-RING	2	
26	2811.0100.00		WASHER	2	
27	0424.0323.00		VALVE BODY	1	
28	1210.0409.00		O-RING	1	
29	0424.0325.00		SLIP RING	1	
30	1817.0046.00		CHEMICAL KNOB	1	
31	0015.0171.00		ROD	1	
32	1210.0400.00		O-RING	1	
33	2801.0060.00		HOSE BARB FITTING	1	
34	1210.0399.00		O-RING	1	
35	1210.0401.00		O-RING	1	
36	2803.0373.00		NIPPLE	1	
37	2812.0067.00		WASHER	1	
38	3003.0026.00		BALL	1	
39	1802.0180.00		SPRING	1	
40	3301.0543.00		ADJUST. INJECTOR KIT	1	
41	2409.0075.00		CHECK VALVE KIT	1	
42	1210.0397.00		O-RING	1	
43	2409.0076.00		CHECK VALVE	1	
44	1802.0179.00		SPRING	1	
45	1210.0402.00		O-RING	1	
46	1210.0398.00		O-RING	1	
47	3410.0290.00		INJECT.BODY M22X1,5	1	
48	3410.0289.00		INJECT.BODY KIT M22X1,5	1	

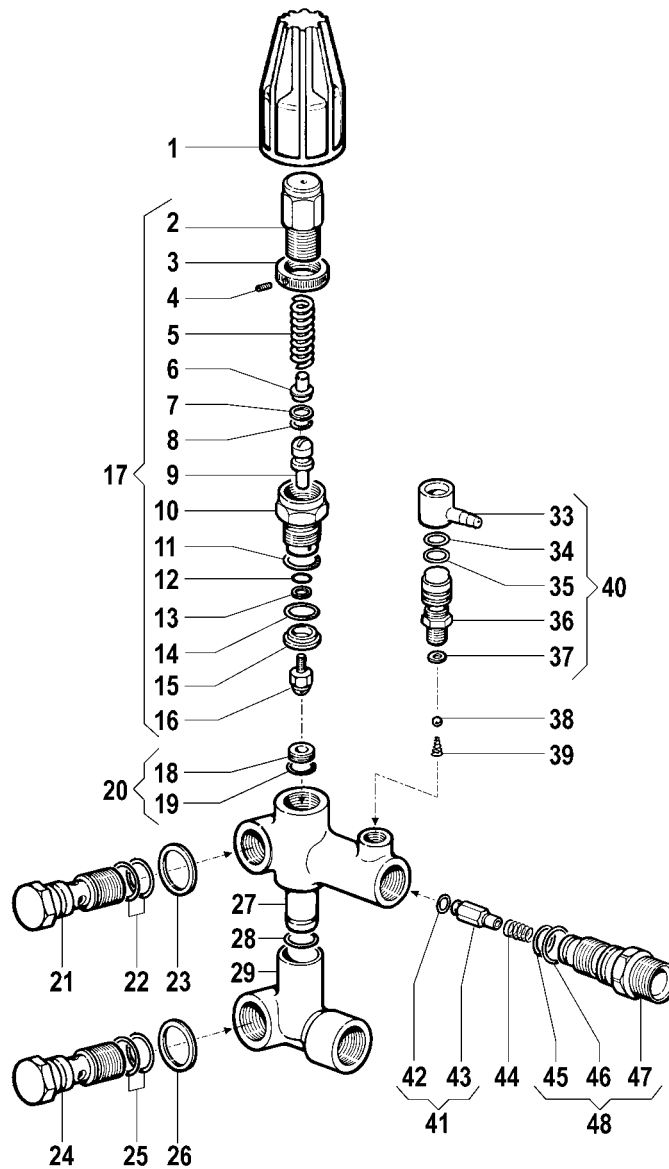
RF 151



POS. ITEM	CODICE PART No.	KIT KIT	DESCRIZIONE DESCRIPTION	Q.tà Qty.	MODELLI MODELS
1	1817.0054.00		HANDLE	1	
2	0204.0043.00		ADJUSTABLE KNOB	1	130 Bar
	0204.0046.00		ADJUSTABLE KNOB	1	180 Bar
3	1227.0022.00		NUT	1	
4	3622.0030.00		STOP ADJUSTABLE NUT M4X4	1	
5	1802.0181.00		SPRING	1	130 Bar
	1802.0182.00		SPRING	1	180 Bar
6	0009.0207.00		SEAT	1	
7	0009.0206.00		BACK-UP RING	1	
8	1210.0406.00		O-RING	1	
9	2409.0077.00		PISTON ROD	1	
10	0204.0045.00		HOUSING	1	
11	1210.0407.00		O-RING	1	
12	1210.0404.00		O-RING	1	
13	1210.0405.00		O-RING	1	
14	0009.0205.00		BACK RING	1	
15	0009.0204.00		RING	1	
16	3002.0508.00		HOUSING WITH BALL	1	
17	1215.0273.00		PRESS. VALVE KIT 130 BAR	1	130 Bar
	1215.0271.00		PRESS. VALVE KIT 180 BAR	1	180 Bar

POS. ITEM	CODICE PART No.	KIT KIT	DESCRIZIONE DESCRIPTION	Q.tà Qty.	MODELLI MODELS
18	3009.0122.00		VALVE SEAT	1	
19	1210.0403.00		O-RING 1,78X8,73 mm VT	1	
20	3009.0013.00		SEAT KIT	1	
21	2803.0374.00		VALVE BOLT	1	
22	1210.0410.00		O-RING	2	
23	2811.0101.00		WASHER	2	
24	2803.0375.00		VALVE BOLT	1	
25	1210.0411.00		O-RING	2	
26	2811.0100.00		WASHER	2	
27	0424.0324.00		VALVE BODY	1	
28	1210.0409.00		O-RING	1	
29	0424.0325.00		SLIP RING	1	
41	2409.0075.00		CHECK VALVE KIT	1	
42	1210.0397.00		O-RING	1	
43	2409.0076.00		CHECK VALVE	1	
44	1802.0179.00		SPRING	1	
46	1210.0398.00		O-RING	1	
47	2803.0377.00		OUTLET FITTING M22X1,5	1	

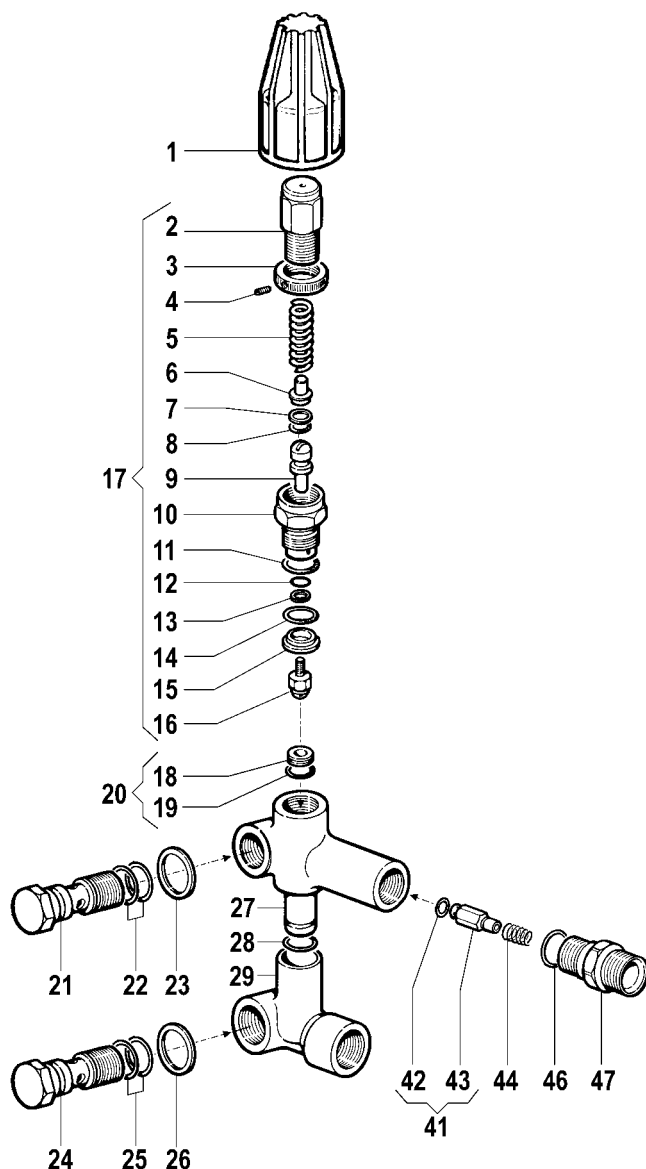
RF 200



POS. ITEM	CODICE PART No.	KIT KIT	DESCRIZIONE DESCRIPTION	Q.tà Qty.	MODELLI MODELS
1	1817.0054.00		HANDLE	1	
2	0204.0043.00		ADJUSTABLE KNOB	1	
3	1227.0022.00		NUT	1	
4	3622.0030.00		STOP ADJUSTABLE NUT M4X4	1	
5	1802.0181.00		SPRING	1	
6	0009.0235.00		SEAT	1	
7	0009.0207.00		BACK-UP RING	1	
8	1210.0430.00		O-RING	1	
9	2409.0088.00		PISTON ROD	1	
10	0204.0044.00		HOUSING	1	
11	1210.0407.00		O-RING	1	
12	1210.0404.00		O-RING	1	
13	1210.0405.00		O-RING	1	
14	0009.0205.00		BACK RING	1	
15	0009.0233.00		RING	1	
16	3002.0526.00		HOUSING WITH BALL	1	
17	1215.0261.00		PRESS. VALVE KIT 220 BAR	1	
18	3009.0122.00		VALVE SEAT	1	
19	1210.0403.00		O-RING 1,78X8,73 mm VT	1	
20	3009.0013.00		SEAT KIT	1	
21	2803.0371.00		VALVE BOLT	1	
22	1210.0410.00		O-RING	2	
23	2811.0101.00		WASHER	2	
24	2803.0375.00		VALVE BOLT	1	

POS. ITEM	CODICE PART No.	KIT KIT	DESCRIZIONE DESCRIPTION	Q.tà Qty.	MODELLI MODELS
25	1210.0411.00		O-RING	2	
26	2811.0100.00		WASHER	2	
27	0424.0349.00		BODY	1	
28	1210.0409.00		O-RING	1	
29	0424.0325.00		BODY	1	
33	2801.0060.00		HOSE BARB FITTING	1	
34	1210.0399.00		O-RING	1	
35	1210.0401.00		O-RING	1	
36	2803.0381.00		NIPPLE	1	
37	2812.0067.00		WASHER	1	
38	3003.0026.00		BALL	1	
39	1802.0180.00		SPRING	1	
40	3301.0357.00		INJECTOR KIT	1	
41	2409.0075.00		CHECK VALVE KIT	1	
42	1210.0397.00		O-RING	1	
43	2409.0076.00		CHECK VALVE	1	
44	1802.0179.00		SPRING	1	
45	1210.0402.00		O-RING	1	
46	1210.0398.00		O-RING	1	
47	3410.0297.00		INJECTOR BODY 3/8" NPT	1	
	3410.0290.00		INJECTOR BODY M22X1,5	1	
48	3410.0296.00		INJECT. BODY KIT 3/8" NPT	1	
	3410.0289.00		INJECT. BODY KIT M22X1,5	1	

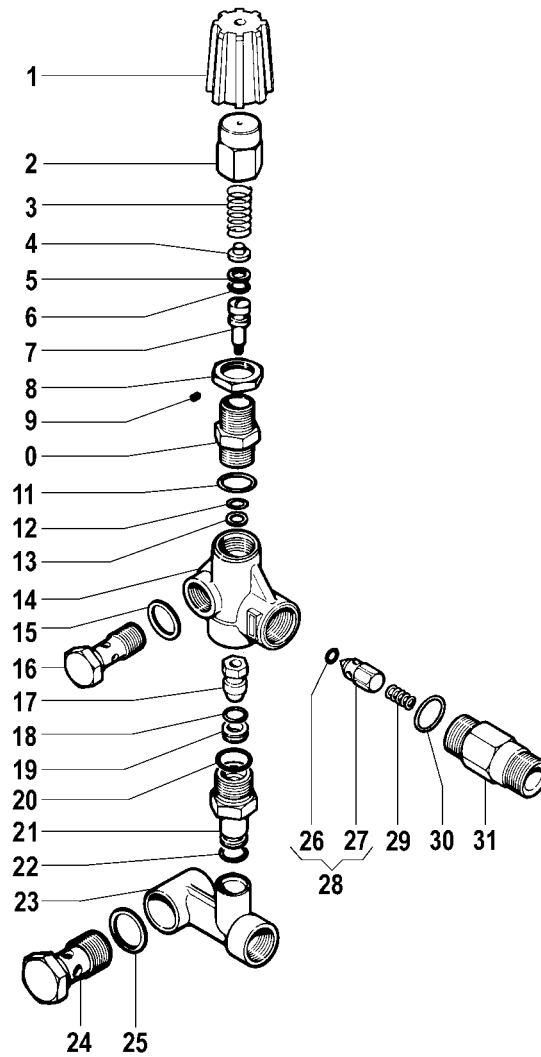
RF 201



POS. ITEM	CODICE PART No.	KIT KIT	DESCRIZIONE DESCRIPTION	Q.tà Qty.	MODELLI MODELS
1	1817.0054.00		HANDLE	1	
2	0204.0043.00		ADJUSTABLE KNOB	1	
3	1227.0022.00		NUT	1	
4	3622.0030.00		STOP ADJUSTABLE NUT M4X4	1	
5	1802.0181.00		SPRING	1	
6	0009.0235.00		SEAT	1	
7	0009.0207.00		BACK-UP RING	1	
8	1210.0430.00		O-RING	1	
9	2409.0088.00		PISTON ROD	1	
10	0204.0044.00		HOUSING	1	
11	1210.0407.00		O-RING	1	
12	1210.0404.00		O-RING	1	
13	1210.0405.00		O-RING	1	
14	0009.0205.00		BACK RING	1	
15	0009.0233.00		RING	1	
16	3002.0526.00		HOUSING WITH BALL	1	
17	1215.0261.00		PRESS. VALVE KIT 220 BAR	1	
18	3009.0122.00		VALVE SEAT	1	

POS. ITEM	CODICE PART No.	KIT KIT	DESCRIZIONE DESCRIPTION	Q.tà Qty.	MODELLI MODELS
19	1210.0403.00		O-RING 1,78X8,73 mm VT	1	
20	3009.0013.00		SEAT KIT	1	
21	2803.0371.00		VALVE BOLT	1	
22	1210.0410.00		O-RING	2	
23	2811.0101.00		WASHER	2	
24	2803.0375.00		VALVE BOLT	1	
25	1210.0411.00		O-RING	2	
26	2811.0100.00		WASHER	2	
27	0424.0350.00		BODY	1	
28	1210.0409.00		O-RING	1	
29	0424.0325.00		BODY	1	
41	2409.0075.00		CHECK VALVE KIT	1	
42	1210.0397.00		O-RING	1	
43	2409.0076.00		CHECK VALVE	1	
44	1802.0179.00		SPRING	1	
46	1210.0398.00		O-RING	1	
47	2803.0376.00		OUTLET FITTING 3/8" NPT	1	

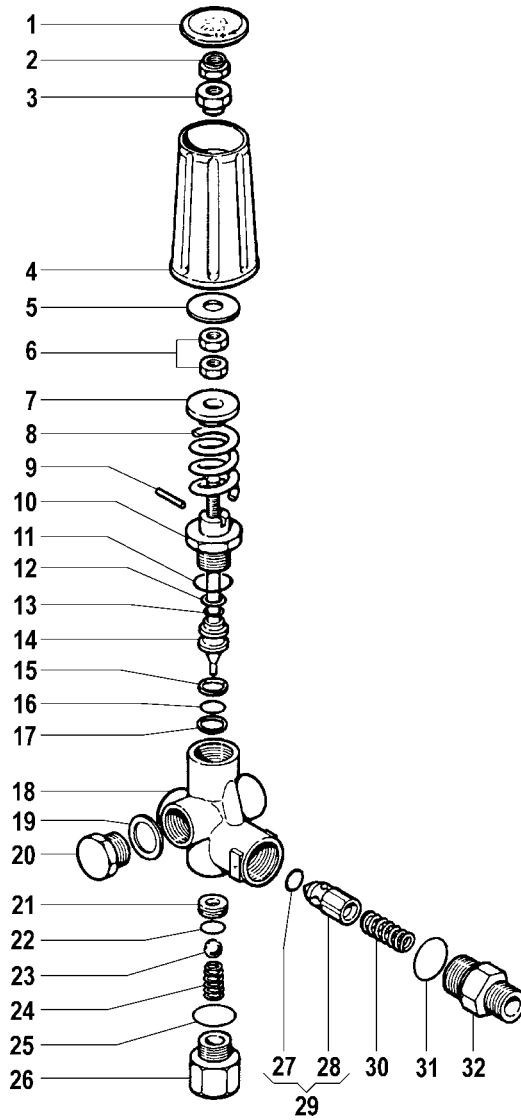
RF 251



POS. ITEM	CODICE PART No.	KIT KIT	DESCRIZIONE DESCRIPTION	Q.tà Qty.	MODELLI MODELS
1	1817.0031.00		HANDLE	1	
2	2803.0262.00		ADJUSTABLE KNOB	1	
3	1802.0183.00		SPRING	1	
4	3002.0334.00		SEAT	1	
5	0009.0209.00		BACK-UP RING	1	
6	1210.0378.00		O-RING	1	
7	0015.0172.00		PISTON ROD	1	
8	1227.0022.00		NUT	1	
9	3622.0030.00		STOP ADJUSTABLE NUT M4X4	1	
10	2803.0386.00		HOUSING	1	
11	1210.0151.00		O-RING	1	
12	1210.0378.00		O-RING	1	
13	0009.0210.00		BACK RING	1	
14	0424.0331.00		VALVE BODY	1	
15	1209.0082.00		WASHER	2	
16	2803.0384.00		VALVE BOLT	1	

POS. ITEM	CODICE PART No.	KIT KIT	DESCRIZIONE DESCRIPTION	Q.tà Qty.	MODELLI MODELS
17	3002.0509.00		HOUSING WITH BALL	1	
18	1210.0043.00		O-RING	1	
19	3036.0010.00		VALVE SEAT	1	
20	1210.0233.00		O-RING	1	
21	2803.0388.00		BY-PASS FITTING	1	
22	1210.0412.00		O-RING	1	
23	0415.0042.00		SLIP RING	1	
24	2803.0385.00		VALVE BOLT	1	
25	2819.0017.00		WASHER	2	
26	1210.0189.00		O-RING	1	
27	3600.0056.00		CHECK VALVE	1	
28	3600.0093.00		CHECK VALVE KIT	1	
29	1802.0161.00		SPRING	1	
30	1210.0233.00		O-RING	1	
31	2803.0423.00		OUTLET FITTING G 3/8"	1	

PLS 3



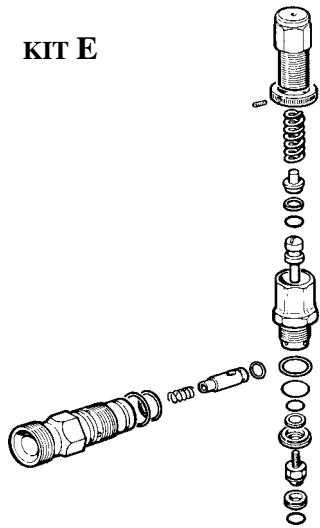
POS. ITEM	CODICE PART No.	KIT KIT	DESCRIZIONE DESCRIPTION	Q.tà Qty.	MODELLI MODELS
1	0402.0029.00		HANDLE CAP	1	
2	0604.0039.00		LOCK NUT	1	
3	0601.0190.00		NUT	1	
4	1817.0029.00		HANDLE	1	
5	1209.0103.00		WASHER	1	
6	0604.0042.00		NUT	2	
7	0009.0187.00		NUT	1	
8	1802.0167.00		SPRING	1	
9	3021.0019.00		PIN	1	
10	3202.0215.00		PISTON HOUSING	1	
11	1210.0335.00		O-RING	1	
12	0009.0185.00		BACK RING	1	
13	1210.0377.00		O-RING	1	
14	0015.0163.00		PISTON ROD	1	
15	0009.0183.00		BACK RING	1	
16	1210.0154.00		O-RING	1	

POS. ITEM	CODICE PART No.	KIT KIT	DESCRIZIONE DESCRIPTION	Q.tà Qty.	MODELLI MODELS
17	0009.0183.00		BACK RING	1	
18	0424.0202.00		VALVE BODY	1	
19	2811.0085.00		WASHER	2	
20	3202.0213.00		CAP	1	
21	3036.0009.00		VALVE SEAT	1	
22	1210.0043.00		O-RING	1	
23	3003.0025.00		BALL	1	
24	1802.0163.00		SPRING	1	
25	1210.0335.00		O-RING	1	
26	3202.0209.00		INLET FITTING	1	
27	1210.0189.00		O-RING	1	
28	3600.0056.00		CHECK VALVE	1	
29	3600.0058.00		CHECK VALVE KIT	1	
30	1802.0161.00		SPRING	1	
31	1210.0233.00		O-RING	1	
32	2803.0236.00		OUTLET FITTING G 3/8	1	

KIT VALVOLA REGOLAZIONE / REG. VALVE KITS LW-K

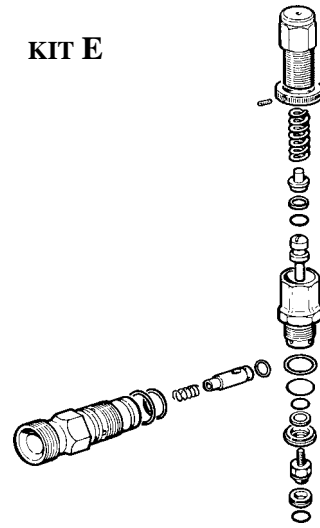
KIT REVISIONE / OVERHAUL KIT
M22 x 1,5
 130 bar / 1885 p.s.i. 5026.0122.00
 180 bar / 2610 p.s.i. 5026.0124.00

KIT E



KIT REVISIONE / OVERHAUL KIT
3/8 NPT
 130 bar / 1885 p.s.i. 5026.0129.00
 180 bar / 2610 p.s.i. 5026.0130.00

KIT E

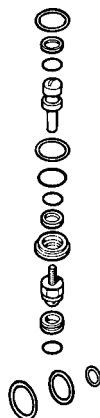


5026.0122.00			5026.0124.00		
POS. ITEM	CODICE PART No.	Q.tà Qty.	POS. ITEM	CODICE PART No.	Q.tà Qty.
62	3410.0290.00	1	62	3410.0290.00	1
63	1210.0398.00	1	63	1210.0398.00	1
64	1210.0402.00	1	64	1210.0402.00	1
65	1802.0179.00	1	65	1802.0179.00	1
66	2409.0076.00	1	66	2409.0076.00	1
67	1210.0397.00	1	67	1210.0397.00	1
70	1210.0403.00	1	70	1210.0403.00	1
71	3009.0122.00	1	71	3009.0122.00	1
72	3002.0508.00	1	72	3002.0508.00	1
74	0009.0204.00	1	74	0009.0204.00	1
75	0009.0205.00	1	75	0009.0205.00	1
76	1210.0405.00	1	76	1210.0405.00	1
77	1210.0404.00	1	77	1210.0404.00	1
78	1210.0407.00	1	78	1210.0407.00	1
79	0204.0045.00	1	79	0204.0045.00	1
80	2409.0077.00	1	80	2409.0077.00	1
81	1210.0406.00	1	81	1210.0406.00	1
82	0009.0206.00	1	82	0009.0206.00	1
83	0009.0207.00	1	83	0009.0207.00	1
84	1802.0181.00	1	84	1802.0182.00	1
86	0204.0043.00	1	86	0204.0046.00	1
100	3622.0030.00	1	100	3622.0030.00	1
101	1227.0022.00	1	101	1227.0022.00	1

5026.0129.00			5026.0130.00		
POS. ITEM	CODICE PART No.	Q.tà Qty.	POS. ITEM	CODICE PART No.	Q.tà Qty.
62	3410.0288.00	1	62	3410.0288.00	1
63	1210.0398.00	1	63	1210.0398.00	1
64	1210.0402.00	1	64	1210.0402.00	1
65	1802.0179.00	1	65	1802.0179.00	1
66	2409.0076.00	1	66	2409.0076.00	1
67	1210.0397.00	1	67	1210.0397.00	1
70	1210.0403.00	1	70	1210.0403.00	1
71	3009.0122.00	1	71	3009.0122.00	1
72	3002.0508.00	1	72	3002.0508.00	1
74	0009.0204.00	1	74	0009.0204.00	1
75	0009.0205.00	1	75	0009.0205.00	1
76	1210.0405.00	1	76	1210.0405.00	1
77	1210.0404.00	1	77	1210.0404.00	1
78	1210.0407.00	1	78	1210.0407.00	1
79	0204.0045.00	1	79	0204.0045.00	1
80	2409.0077.00	1	80	2409.0077.00	1
81	1210.0406.00	1	81	1210.0406.00	1
82	0009.0206.00	1	82	0009.0206.00	1
83	0009.0207.00	1	83	0009.0207.00	1
84	1802.0181.00	1	84	1802.0182.00	1
86	0204.0043.00	1	86	0204.0046.00	1
100	3622.0030.00	1	100	3622.0030.00	1
101	1227.0022.00	1	101	1227.0022.00	1

KIT MANUTENZIONE
MAINTENANCE KIT
 5026.0123.00

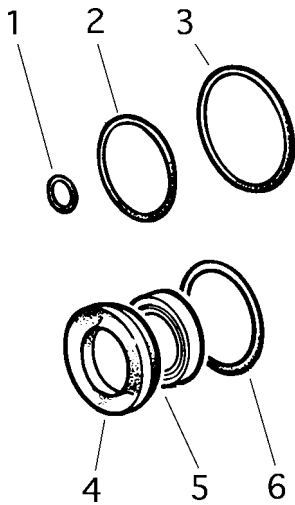
KIT F



5026.0123.00		
POS. ITEM	CODICE PART No.	Q.tà Qty.
63	1210.0398.00	1
64	1210.0402.00	1
67	1210.0397.00	1
70	1210.0403.00	1
71	3009.0122.00	1
72	3002.0508.00	1
74	0009.0204.00	1
75	0009.0205.00	1
76	1210.0405.00	1
77	1210.0404.00	1
78	1210.0407.00	1
80	2409.0077.00	1
81	1210.0406.00	1
82	0009.0206.00	1

KIT OPZIONALI / OPTIONAL KITS

KIT GUARNIZIONI VITON / VITON SEAL KIT
 Ø 15 mm 5019.0051.00 - Ø 18 mm 5019.0050.00



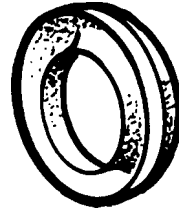
5019.0050.00		
POS. ITEM	CODICE PART No.	Q.tà Qty.
1	1210.0417.00	1
2	1210.0059.00	1
3	1210.0064.00	1
4	1241.0042.00	1
5	1241.0047.00	1
6	1210.0248.00	1

LW

5019.0051.00		
POS. ITEM	CODICE PART No.	Q.tà Qty.
1	1210.0417.00	1
2	1210.0059.00	1
3	1210.0064.00	1
4	1241.0043.00	1
5	1241.0047.00	1
6	1210.0241.00	1

LW - ZW

**KIT GUARNIZIONI ACQUA CALDA
 HOT WATER SEAL KIT**
 Ø 15 mm 5019.0048.00 - Ø 18 mm 5019.0049.00



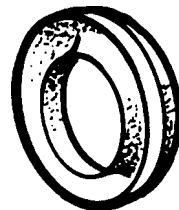
5019.0048.00	
CODICE PART No.	Q.tà Qty.
1241.0039.00	3

LW - ZW

5019.0049.00	
CODICE PART No.	Q.tà Qty.
1241.0040.00	3

LW - HW

**KIT GUARNIZIONI ACQUA CALDA
 HOT WATER SEAL KIT**
 Ø 18 mm 5019.0053.00 - Ø 20 mm 5019.0054.00



5019.0053.00	
CODICE PART No.	Q.tà Qty.
1241.0044.00	6

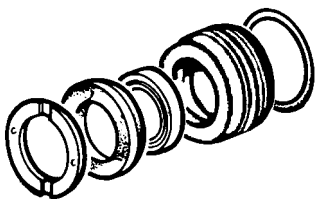
5019.0054.00	
CODICE PART No.	Q.tà Qty.
1241.0045.00	6

FW

KIT GUARNIZIONI CON ANELLI PORTAGUARNIZIONE PACKING RETAINER KITS

KIT GUARNIZIONE CON ANELLO PORTAGUARNIZIONE
PACKING RETAINER KIT
Ø 15 mm 5019.0068.00 - Ø 18 mm 5019.0069.00

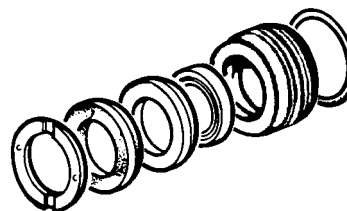
LW



5019.0068.00			5019.0069.00		
POS. ITEM	CODICE PART No.	Q.tà Qty.	POS. ITEM	CODICE PART No.	Q.tà Qty.
20	0009.0196.00	1	20	0009.0193.00	1
21	1241.0034.00	1	21	1241.0035.00	1
22	1241.0030.00	1	22	1241.0028.00	1
23	0009.0198.00	1	23	0009.0197.00	1
24	1210.0223.00	1	24	1210.0223.00	1

KIT GUARNIZIONE CON ANELLO PORTAGUARNIZIONE
PACKING RETAINER KIT
Ø 15 mm 5019.0070.00

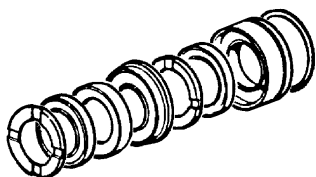
ZW



5019.0070.00		
POS. ITEM	CODICE PART No.	Q.tà Qty.
20	0009.0196.00	1
21	1241.0034.00	1
22	0009.0223.00	1
23	1241.0030.00	1
24	0009.0222.00	1
25	1210.0223.00	1

KIT GUARNIZIONE CON ANELLO PORTAGUARNIZIONE
PACKING RETAINER KIT
Ø 18 mm 5019.0072.00 - Ø 20 mm 5019.0073.00

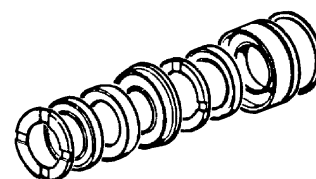
FW



5019.0072.00			5019.0073.00		
POS. ITEM	CODICE PART No.	Q.tà Qty.	POS. ITEM	CODICE PART No.	Q.tà Qty.
11	0009.0199.00	1	11	0009.0108.00	1
12	1241.0026.00	1	12	1241.0032.00	1
13	0009.0100.00	1	13	0009.0104.00	1
14	0009.0200.00	1	14	0009.0114.00	1
15	0009.0199.00	1	15	0009.0108.00	1
16	1241.0026.00	1	16	1241.0032.00	1
17	0009.0102.00	1	17	0009.0106.00	1
18	1210.0156.00	1	18	1210.0156.00	1

KIT GUARNIZIONE CON ANELLO PORTAGUARNIZIONE
PACKING RETAINER KIT
Ø 18 mm 5019.0074.00

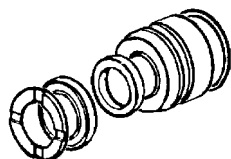
HW



5019.0074.00		
POS. ITEM	CODICE PART No.	Q.tà Qty.
11	0009.0193.00	1
12	1241.0022.00	1
13	0009.0214.00	1
14	0009.0216.00	1
15	0009.0193.00	1
16	1241.0022.00	1
17	0009.0217.00	1
18	1210.0156.00	1

KIT GUARNIZIONE CON ANELLO PORTAGUARNIZIONE
PACKING RETAINER KIT
Ø 18 mm 5019.0075.00

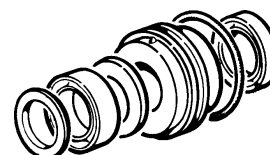
FWD 5513 G 3/4"



5019.0075.00		
POS. ITEM	CODICE PART No.	Q.tà Qty.
11	0009.0199.00	1
12	1241.0038.00	1
13	1241.0028.00	1
14	0009.0231.00	1
18	1210.0156.00	1

KIT GUARNIZIONE CON ANELLO PORTAGUARNIZIONE
PACKING RETAINER KIT
150 bar 5019.0080.00 - 180 bar 5019.0081.00

AX

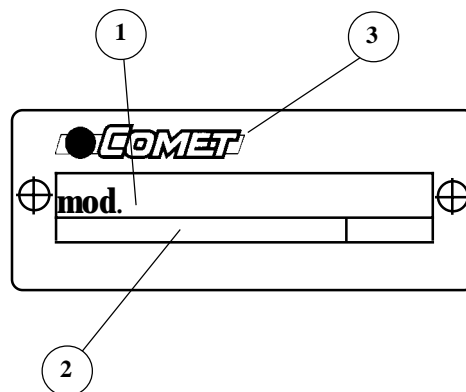


5019.0080.00			5019.0081.00		
POS. ITEM	CODICE PART No.	Q.tà Qty.	POS. ITEM	CODICE PART No.	Q.tà Qty.
32	1210.0356.00	3	32	1210.0356.00	3
33	1241.0050.00	3	33	1241.0050.00	3
61	0009.0219.00	3	61	0009.0219.00	3
62	0009.0230.00	3	62	0009.0230.00	3
63	1241.0055.00	3	63	1241.0056.00	3

DATI TECNICI / TECHNICAL DATA

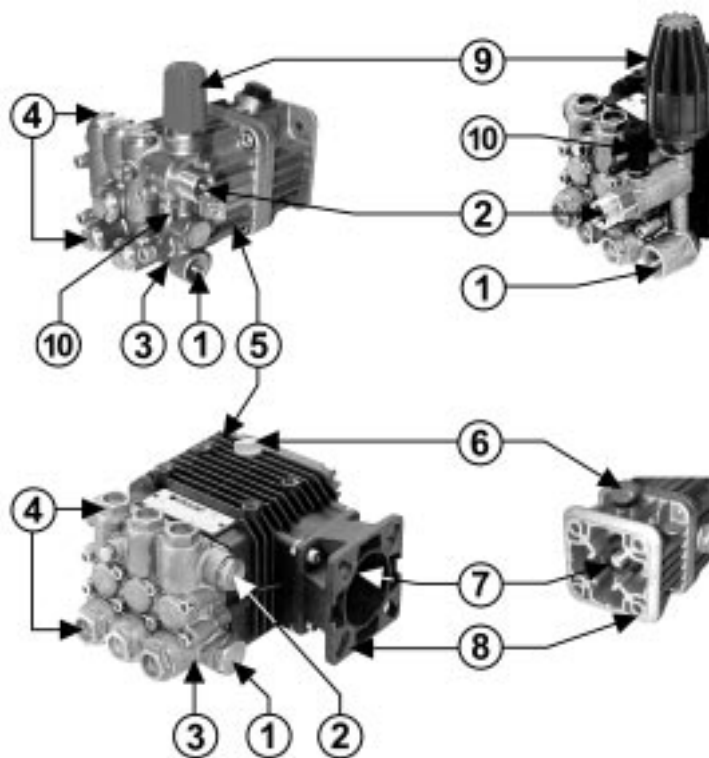
IDENTIFICAZIONE POMPA / PUMP IDENTIFICATION

1. Modello pompa / *Pump model*
2. Numero di matricola / *Serial number*
3. Ditta costruttrice / *Manufacturer*



IDENTIFICAZIONE DEI COMPONENTI / COMPONENT IDENTIFICATION

1. Aspirazione / *Inlet*
2. Mandata / *Outlet*
3. Testata pompa / *Manifold*
4. Tappo valvola asp.- mand. / *Inlet/delivery valve cap*
5. Carter pompa / *Crankcase*
6. Tappo olio / *Oil dipstick*
7. Albero pompa / *Crankshaft*
8. Flangia / *Flange*
9. Manopola regolazione valvola / *Regulation valve knob*
10. Iniettore detergente / *Chemical injector*



TIPO OLIO / OIL TYPE

AGIP ROTRA MULTI THT

Cod. 2201 0014 00

Specifiche e prodotti corrispondenti / Specifications and correspondent oils :


- Lubrificanti U.T.T.O.
(Universal Tractor Trasmission Oil)
- API GL-4
- FORD M2C-86 B
- FORD M2C-134B/C
- JOHN DEERE J20A
- MASSEY - FERGUSON M-1135
- Esso TORQUE FLUID 62
- Mobil MOBILFLUID 422
- Shell DONAX TD

DATI TECNICI / TECHNICAL DATA


CAMBIO OLIO / OIL CHANGE

QUANTITÀ OLIO / OIL QUANTITY				
LW	ZW	FW	HW	AX
0,280 kg 0,617 lb	0,360 kg 0,793 lb	0,500 kg 1,102 lb	0,500 kg 1,102 lb	0,160 kg 0,355 lb

**Pompe / Pumps
LW - ZW - FW - HW**

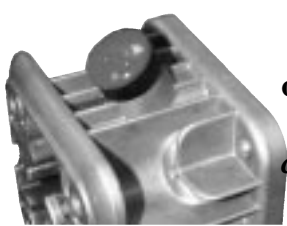


**Tappo
olio
Oil
dipstick**




**Livello
olio
Oil level**

**Pompa / Pump
AX**



**Tappo
olio
Oil
cap**



**Livello
olio
Oil
level**

SCHEDA MANUTENZIONE / MAINTENANCE SCHEDULE

OPERAZIONE / OPERATION	Intervali di manutenzione / Maintenance timing table		
	Ogni / Every 8 h	Ogni / Every 50 h	Ogni / Every 500 h
CONTROLLO LIVELLO OLIO CHECK OIL LEVEL	X		
CONTROLLO CIRCUITO IDRAULICO (tubi, raccordi) / CHECK TUBES - FITTINGS		X	
CONTROLLO E PULIZIA FILTRO ASPIRAZIONE CHECK AND CLEAN SUCTION FILTER		X	
CONTROLLO FISSAGGIO POMPA (piede pompa o flangia motore) / CONTROL PUMP FASTENING (PUMP FEET OR FLANGE MOTOR)		X	
SOSTITUZIONE OLIO / CHANGE OIL			O (1)
CONTROLLO VALVOLE ASPIRAZ. - MANDATA CHECK SUCTION / DELIVERY VALVES			O
CONTROLLO SERRAGGIO VITI POMPA CHECK PUMP BOLT AND NUT SETTING			O
CONTROLLO VALVOLA REGOLAZIONE REGULATION VALVE CHECK (LW-K, ZW-K, AX)			O

Note: X operazione da effettuarsi da parte dell'operatore / to be done by the user

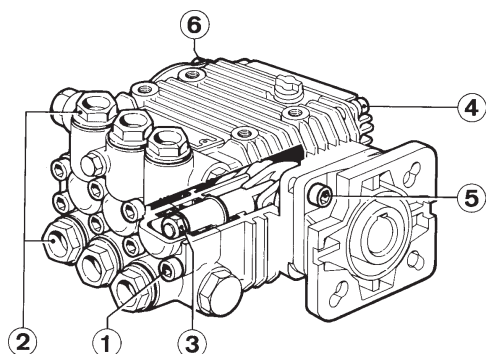
O operazione da effettuarsi da parte di un tecnico specializzato / to be done by a Spetcialized Technician

(1) primo cambio olio dopo 250 h / first oil change after 250 hours

COPPIE DI SERRAGGIO / TORQUE SETTING

LW

POS.	VITE / NUTS & BOLTS		COPPIA DI SERRAGGIO TORQUE SETTING (Nm)	FLUIDO DA METTERE SUL FILETTO FLUID TO BE USED
	CODICE / CODE			
1	3609 0108 00 (x)		10	
	3609 0152 00 (o)		10	
2	3202 0155 00		40 Testata alluminio Alluminum head 50 Testata ottone Brass head	Loctite 243
3	0600 0048 00		6	Loctite 243
4	3609 0041 00		9	
5	3609 0032 00		9	
6	3609 0088 00		4	

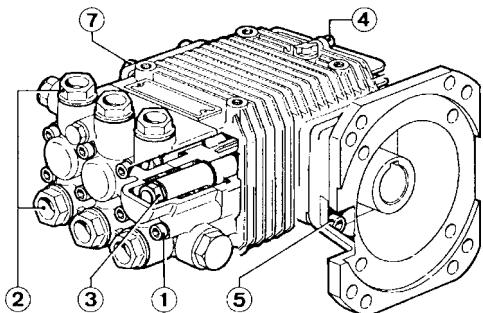


- (X) per pressioni < 150 bar / for pressure less than 2200 p.s.i.
(O) per pressioni ≥ 150 bar / for pressure equal to or in excess of 2200 p.s.i.

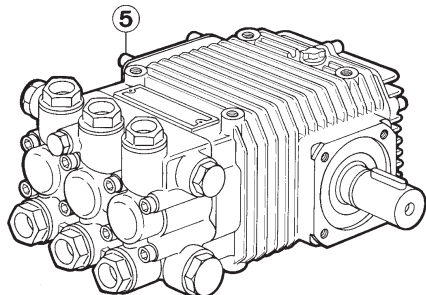
FW

POS.	VITE / NUTS & BOLTS		COPPIA DI SERRAGGIO TORQUE SETTING (Nm)	FLUIDO DA METTERE SUL FILETTO FLUID TO BE USED
	CODICE / CODE			
1	3609 0039 00		25	
2	3202 0155 00		50	Loctite 243
3	0600 0054 00		10	Loctite 243
4	3609 0030 00		4	
5	3609 0058 00		25	
7	3609 0032 00		9	

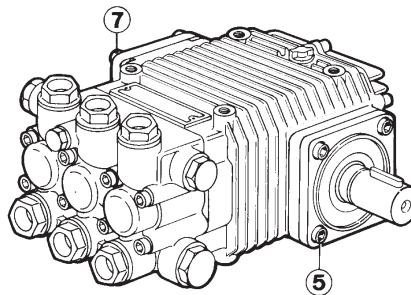
Versione con albero femmina / Hollow shaft model



Versione con albero maschio e potenza fino 5.5 Hp
Solid shaft model power up to 5.5 Hp



Versione con albero maschio e potenza 7.5 - 10 Hp
Solid shaft model power 7.5 - 10 Hp



COPPIE DI SERRAGGIO / TORQUE SETTING

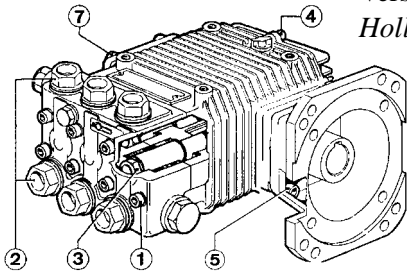
ZW

VITE / NUTS & BOLTS		COPPIA DI SERRAGGIO TORQUE SETTING (Nm)	FLUIDO DA METTERE SUL FILETTO FLUID TO BE USED
POS.	CODICE / CODE		
1	3609 0152 00	10	
2	3202 0239 00	50	Loctite 243
3	0600 0048 00	6	Loctite 243
4	3609 0041 00	9	
5	3609 0032 00	9	
6	3609 0088 00	4	

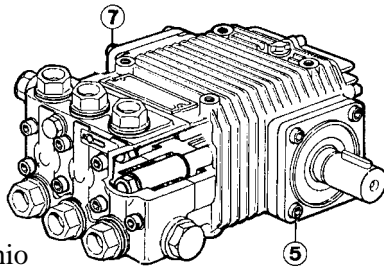
HW

VITE / NUTS & BOLTS		COPPIA DI SERRAGGIO TORQUE SETTING (Nm)	FLUIDO DA METTERE SUL FILETTO FLUID TO BE USED
POS.	CODICE / CODE		
1	3609 0170 00	25	
2	3202 0230 00	80	Loctite 243
3	0600 0054 00	10	Loctite 243
4	3609 0030 00	4	
5	3609 0058 00	25	
7	3609 0032 00	9	

Versione con albero femmina
Hollow shaft model

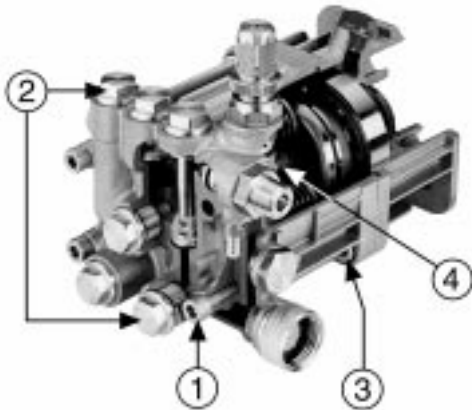


Versione con albero maschio
Solid shaft model



AX

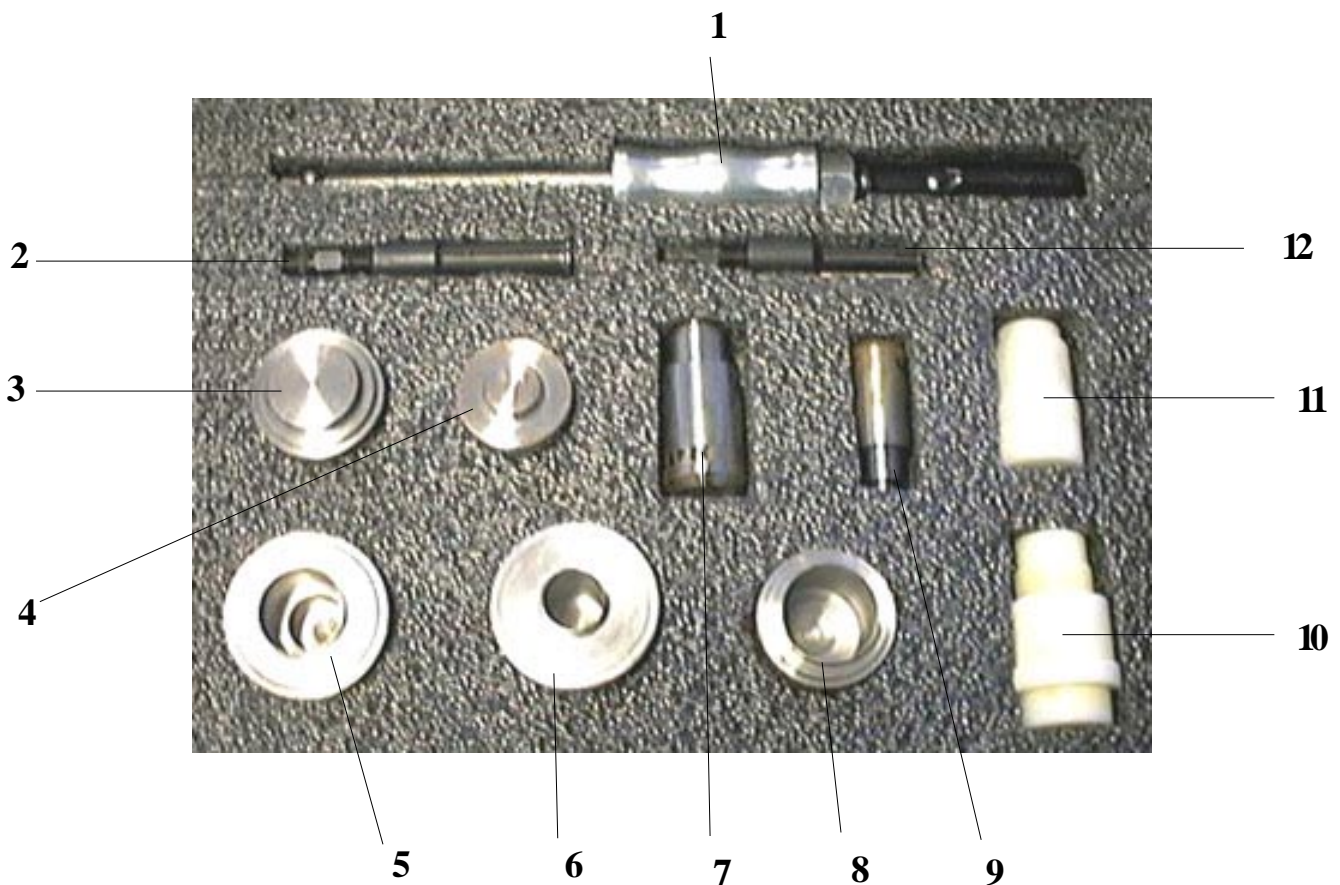
VITE / NUTS & BOLTS		COPPIA DI SERRAGGIO TORQUE SETTING (Nm)	FLUIDO DA METTERE SUL FILETTO FLUID TO BE USED
POS.	CODICE / CODE		
1	3609 0156 00	25	
2	3202 0236 00	45	Loctite 243
3	3609 0005 00	25	
4	3609 0005 00	25	Loctite 243



KIT ATTREZZATURA RIPARAZIONI / TOOL KIT

cod. 5032.0004.00

POS.	CODICE / CODE	DESCRIZIONE / DESCRIPTION
1	0899.0006.00	Percussore per estrattore guarnizioni / <i>Slide hammer with expanding collet for extraction of packing assemblies</i>
2	0899.0005.00	Estrattore per guarnizioni / <i>Expanding collet Ø 20 FW</i>
3	3335.0017.00	Tampone anello tenuta / <i>Insertion tool for packing Ø 40x52x7 FW - HW - ZW</i>
4	3335.0018.00	Tampone anello tenuta / <i>Insertion tool for packing Ø 25x52x7 FW - HW</i>
5	3335.0015.00	Tampone anello tenuta / <i>Insertion tool for packing Ø 35X62x7 LW</i>
6	3335.0016.00	Tampone anello tenuta / <i>Insertion tool for packing Ø 25x62x10 LW-FW</i>
7	3335.0012.00	Tampone anello tenuta pistoni / <i>Insertion tool for piston seal Ø 20x30x5 FW - HW</i>
8	3335.0013.00	Tampone anello tenuta / <i>Insertion tool for packing Ø 40x52x7 FW - HW - ZW</i>
9	3335.0014.00	Tampone anello tenuta pistoni / <i>Insertion tool for piston seal Ø 15x24x5 LW - ZW</i>
10	3335.0020.00	Boccola tampone guarnizioni / <i>Plastic insertion tool FW - HW</i>
	3335.0019.00	Tampone guarnizioni / <i>Insertion tool FW - HW</i>
11	3335.0021.00	Tampone guarnizioni / <i>Insertion tool LW - ZW</i>
	3335.0022.00	Boccola tampone guarnizioni / <i>Plastic insertion tool LW - ZW</i>
12	0899.0004.00	Estrattore per guarnizioni / <i>Expanding collet Ø 15÷18 LW - ZW - FW - HW</i>

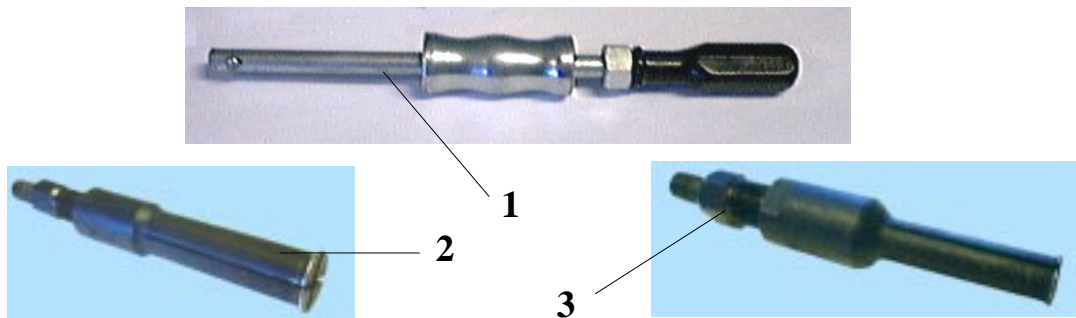


KIT ATTREZZATURA RIPARAZIONI / TOOL KIT

KIT ESTRATTORI GUARNIZIONI LW - FW PACKING EXSTRACTION KIT FOR LW - FW MODELS

cod. 0899.0007.00

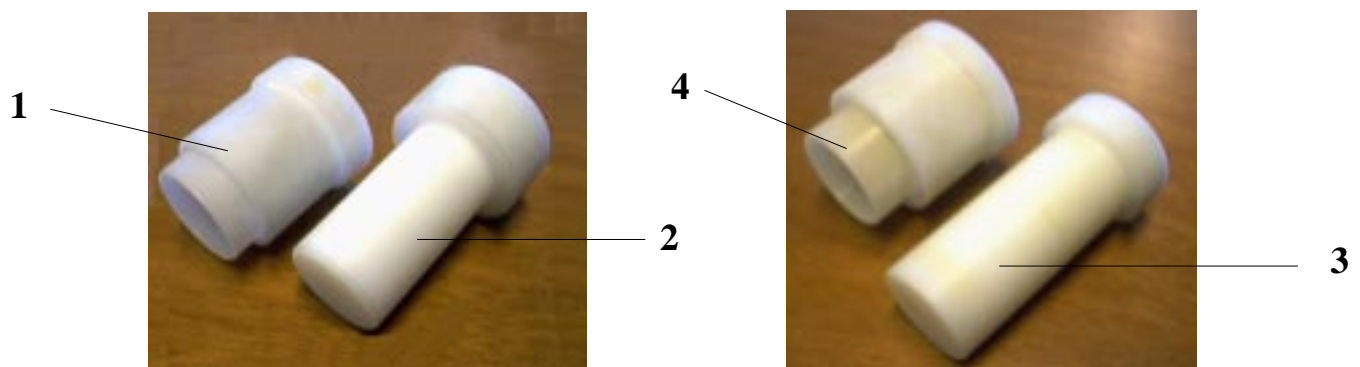
POS.	CODICE / CODE	DESCRIZIONE / DESCRIPTION
1	0899.0006.00	Percussore per estrattore guarnizioni / Slide hammer with expanding collet for extraction of packing assemblies
2	0899.0005.00	Estrattore per guarnizioni / Expanding collet Ø 20 FW
3	0899.0004.00	Estrattore per guarnizioni / Expanding collet Ø 15÷18 LW - ZW - FW - HW



KIT TAMPONI GUARNIZIONI LW - FW PLASTIC PACKING INSERTION KIT FOR LW - FW MODELS

cod. 3335.0023.00

POS.	CODICE / CODE	DESCRIZIONE / DESCRIPTION
1	3335.0020.00	Boccola tampone guarnizioni / Plastic insertion tool FW - HW
2	3335.0019.00	Tampone guarnizioni / Insertion tool FW - HW
3	3335.0021.00	Tampone guarnizioni / Insertion tool LW - ZW
4	3335.0022.00	Boccola tampone guarnizioni / Plastic insertion tool LW - ZW



INCONVENIENTI E RIMEDI / TROUBLE SHOOTING

	CAUSE / CAUSES	RIMEDI / REMEDIES
La pompa non adesca <i>The pump does not start</i>	Aspirazione d'aria / <i>Air suction</i> Lancia chiusa / <i>Closed lance</i>	Controllare apparato di aspirazione <i>Control inlet device</i> Aprire la lancia / <i>Open the lance</i>
La pompa gira ma non raggiunge la massima pressione <i>Irregular pressure vibration</i>	La pompa aspira aria <i>Pump sucking air</i> Ugello inadeguato o usurato <i>Nozzle inadequate or worn</i> Valvole usurate, sporche o bloccate <i>Worn, dirty or blocked valves</i>	Controllare che arrivi acqua alla pompa senza gocciolamenti dalla tubazione d'aspirazione <i>Check water enters the pump without leaking in the suction tubes</i> Pulire e/o sostituire l'ugello <i>Clean and/or replace nozzle</i> RIVOLGERSI AD UN TECNICO SPECIALIZZATO REFER TO SPECIALIZED TECHNICIAN
Oscillazioni irregolari di pressione <i>Irregular pump pressure</i>	La pompa aspira aria <i>Pump sucking air</i> Ugello otturato / <i>Blocked nozzle</i> Presenza d'aria nella pompa <i>Air in pump</i> Filtro d'aspirazione acqua otturato <i>Water inlet filter blocked</i> Alimentazione d'acqua insufficiente <i>Poor water feeding</i> Valvole usurate, sporche o bloccate <i>Worn, dirty or blocked valves</i> Guarnizioni usurate / <i>Worn packing</i>	Controllare che arrivi acqua alla pompa senza gocciolamenti dalla tubazione d'aspirazione <i>Check that there are not leakages in the suction tubes</i> Pulire e/o sostituire l'ugello / <i>Clean or replace nozzle</i> Far funzionare la pompa premendo la leva della lancia finchè non si ristabilisce la pressione / <i>Start pump by pressing lance until pressure is established</i> Pulire il filtro / <i>Clean filter</i> Controllare che il rubinetto sia completamente aperto e/o allacciarsi ad un rubinetto con portata d'acqua superiore / <i>Make sure the tap is completely open and/or connect to a tap that has an adequate flow rate</i> RIVOLGERSI AD UN TECNICO SPECIALIZZATO REFER TO SPECIALIZED TECHNICIAN RIVOLGERSI AD UN TECNICO SPECIALIZZATO REFER TO SPECIALIZED TECHNICIAN
Calo di pressione <i>Drop in pressure</i>	Ugello usurato / <i>Worn nozzle</i> Valvole usurate, sporche o bloccate <i>Dirty or blocked valves</i> Guarnizioni usurate / <i>Worn packing</i>	Sostituire ugello / <i>Replace the nozzle</i> RIVOLGERSI AD UN TECNICO SPECIALIZZATO REFER TO SPECIALIZED TECHNICIAN RIVOLGERSI AD UN TECNICO SPECIALIZZATO REFER TO SPECIALIZED TECHNICIAN
Rumorosità eccessiva <i>Excessive noise</i>	La pompa aspira aria <i>Pump sucking air</i> Aspirazione strozzata <i>Blocked suction</i> Temperatura eccessiva acqua alimentazione <i>Water temperature is too hot</i> Valvole usurate, sporche o bloccate <i>Worn, dirty or blocked valves</i> Cuscinetti usurati / <i>Worn bearings</i>	Controllare che arrivi acqua alla pompa senza gocciolamenti dalla tubazione d'aspirazione <i>Check water enters the pump without leaking in the suction tubes</i> Controllare il filtro e le tubazioni d'aspirazione <i>Control filter and suction tubes</i> Alimentare con acqua sotto i 50° C <i>Max water temperature must not exceed 122° F</i> RIVOLGERSI AD UN TECNICO SPECIALIZZATO REFER TO SPECIALIZED TECHNICIAN RIVOLGERSI AD UN TECNICO SPECIALIZZATO REFER TO SPECIALIZED TECHNICIAN
Perdite d'acqua dalla testata / <i>Water leak from head</i>	Guarnizioni usurate / <i>Worn packing</i>	RIVOLGERSI AD UN TECNICO SPECIALIZZATO REFER TO SPECIALIZED TECHNICIAN
Perdite d'olio <i>Oil leak</i>	Anelli tenuta olio usurati <i>Oil seals worn</i>	RIVOLGERSI AD UN TECNICO SPECIALIZZATO REFER TO SPECIALIZED TECHNICIAN